



BUILDER/COMFORT BATH SERIES ELECTRONIC & MANUAL CONTROLS INSTALLATION AND OPERATING INSTRUCTIONS

Save These Instructions for Future Use.

Owner's Record

Date Purchased _____

Purchased From _____

Installed By _____

Serial Number _____

Model _____

Installer: Leave this manual for homeowner.
Homeowner: Read this manual and keep for future reference.

IMPORTANT SAFETY INSTRUCTIONS READ AND FOLLOW ALL INSTRUCTIONS SAVE THESE INSTRUCTIONS

INSTRUCTIONS PERTAINING TO A RISK OF FIRE, ELECTRIC SHOCK, OR INJURY TO PERSONS

WARNING — WHEN USING THIS UNIT, BASIC PRECAUTIONS SHOULD ALWAYS BE FOLLOWED, INCLUDING THE FOLLOWING:

DANGER — TO REDUCE THE RISK OF INJURY, DO NOT PERMIT CHILDREN TO USE THIS UNIT UNLESS THEY ARE CLOSELY SUPERVISED AT ALL TIMES.

WARNING — USE THIS UNIT ONLY FOR ITS INTENDED USE AS DESCRIBED IN THIS MANUAL. DO NOT USE ATTACHMENTS NOT RECOMMENDED BY THE MANUFACTURER.

WARNING — NEVER DROP OR INSERT ANY OBJECT INTO ANY OPENING.

WARNING — DO NOT OPERATE THIS UNIT WITHOUT THE GUARD OVER THE SUCTION FITTING.

WARNING — THIS UNIT MUST BE CONNECTED ONLY TO A SUPPLY CIRCUIT THAT IS PROTECTED BY A GROUND FAULT CIRCUIT INTERRUPTER (GFCI). SUCH A GFCI SHOULD BE PROVIDED BY THE INSTALLER AND SHOULD BE TESTED ON A ROUTINE BASIS. TO TEST THE GFCI, PUSH THE TEST BUTTON. THE GFCI SHOULD INTERRUPT POWER. PUSH THE RESET BUTTON. POWER SHOULD BE RESTORED. IF THE GFCI FAILS TO OPERATE IN THIS MANNER, THE GFCI IS DEFECTIVE. IF THE GFCI INTERRUPTS POWER TO THE BATHTUB WITHOUT THE TEST BUTTON BEING PUSHED, A GROUND CURRENT FLOWING, INDICATING A POSSIBILITY OF AN ELECTRIC SHOCK. DO NOT USE THIS HYDROMASSAGE BATHTUB. DISCONNECT THE HYDROMASSAGE BATHTUB AND HAVE THE PROBLEM CORRECTED BY A QUALIFIED SERVICE REPRESENTATIVE BEFORE USING.

WARNING — (FOR PERMANENTLY CONNECTED UNITS) A GREEN COLORED TERMINAL (OR A WIRE CONNECTOR MARKED “G”, “GR”, “GROUND”, OR “GROUNDING”) IS PROVIDED WITHIN THE TERMINAL COMPARTMENT. TO REDUCE THE RISK OF ELECTRIC SHOCK, CONNECT THE TERMINAL OR CONNECTOR TO THE GROUNDING TERMINAL OF YOUR ELECTRIC SERVICE OR SUPPLY PANEL WITH A CONDUCTOR EQUIVALENT IN SIZE TO THE CIRCUIT CONDUCTORS SUPPLYING THIS EQUIPMENT.

OPERATING INSTRUCTIONS

WARNING — PROLONGED IMMERSION IN HOT WATER MAY INDUCE HYPERTHERMIA. HYPERTHERMIA OCCURS WHEN THE INTERNAL TEMPERATURE OF THE BODY REACHES A LEVEL SEVERAL DEGREES ABOVE THE NORMAL BODY TEMPERATURE OF 98.6°F. THE SYMPTOMS OF HYPERTHERMIA INCLUDE AN INCREASE IN THE INTERNAL TEMPERATURE OF THE BODY, DIZZINESS, LETHARGY, DROWSINESS AND FAINTING. THE EFFECTS OF HYPERTHERMIA INCLUDE:

- A) FAILURE TO PERCEIVE HEAT
- B) FAILURE TO RECOGNIZE THE NEED TO EXIT THE SPA OR HOT TUB,
- C) UNAWARENESS OF IMPENDING HAZARD,
- D) FETAL DAMAGE IN PREGNANT WOMEN,
- E) PHYSICAL INABILITY TO EXIT THE SPA OR HOT TUB, AND
- F) UNCONSCIOUSNESS RESULTING IN DANGER OF DROWNING.

WARNING — THE USE OF ALCOHOL, DRUGS OR MEDICATION CAN GREATLY INCREASE THE RISK OF FATAL HYPERTHERMIA.

WARNING — DO NOT TAMPER WITH USER-OPERATED CONTROLS OR SUCH DEVICES.

INSTALLATION INSTRUCTIONS

WARNING — WHEN USING THIS UNIT, BASIC PRECAUTIONS SHOULD ALWAYS BE FOLLOWED, INCLUDING THE FOLLOWING:

DANGER — RISK OF ELECTRIC SHOCK. CONNECT ONLY TO A CIRCUIT PROTECTED BY A GROUND FAULT CIRCUIT INTERRUPTER (GFCI).



CAUTION — TEST THE GROUND FAULT CIRCUIT INTERRUPTER PROTECTING THIS APPLIANCE PERIODICALLY IN ACCORDANCE WITH MANUFACTURER'S INSTRUCTIONS.

WARNING — USE THIS UNIT ONLY FOR ITS INTENDED USE AS DESCRIBED IN THIS MANUAL. DO NOT USE ATTACHMENTS NOT RECOMMENDED BY THE MANUFACTURERS.

WARNING — TO AVOID INJURY, EXERCISE CAUTION WHEN ENTERING OR EXITING THE HYDROMASSAGE BATHTUB.

WARNING — KEEP BODY AND HAIR A MINIMUM OF 6" AWAY FROM SUCTION FITTING AT ALL TIMES WHEN THE HYDROMASSAGE SYSTEM IS OPERATING. HAIR LONGER THAN SHOULDER LENGTH SHOULD BE SECURED CLOSE TO THE HEAD.

WARNING — RISK OF ELECTRICAL SHOCK; DO NOT PERMIT ELECTRICAL APPLIANCES (SUCH AS HAIR DRYER, LAMP, TELEPHONE, RADIO OR TELEVISION) WITHIN 60" (1.5 M) OF THIS HYDROMASSAGE BATHTUB.

WARNING — RISK OF ACCIDENTAL INJURY OR DROWNING; DO NOT USE DRUGS OR ALCOHOL BEFORE OR DURING THE USE OF HYDROMASSAGE BATHTUB EQUIPPED WITH A HEATER TO AVOID UNCONSCIOUSNESS AND POSSIBLE DROWNING.

WARNING — RISK OF FETAL INJURY; PREGNANT OR POSSIBLY PREGNANT WOMEN SHOULD CONSULT A PHYSICIAN BEFORE USING A HYDROMASSAGE BATHTUB EQUIPPED WITH A HEATER.

WARNING — RISK OF HYPERTHERMIA AND POSSIBLE DROWNING; DO NOT USE A HYDROMASSAGE BATHTUB EQUIPPED WITH A HEATER IMMEDIATELY FOLLOWING STRENUOUS EXERCISE.

WARNING — RISK OF HYPERTHERMIA AND POSSIBLE DROWNING; WATER TEMPERATURE IN EXCESS OF 104°F (40°C) MAY BE INJURIOUS TO YOUR HEALTH. CHECK AND ADJUST WATER TEMPERATURE BEFORE USE.

WARNING — RISK OF HYPERTHERMIA; PEOPLE USING MEDICATIONS AND/OR HAVING AN ADVERSE MEDICAL HISTORY SHOULD CONSULT A PHYSICIAN BEFORE USING A HYDROMASSAGE BATHTUB EQUIPPED WITH A HEATER.

FOR BUILT-IN AND DROP-IN UNITS, INSTALL TO PERMIT ACCESS FOR SERVICING.

THIS UNIT SHOULD BE ELECTRICALLY GROUNDED AND INSTALLED BY A LICENSED CONTRACTOR, ELECTRICIAN, AND PLUMBER.

BUILDING MATERIALS AND WIRING SHOULD BE ROUTED AWAY FROM THE MOTOR/PUMP OR BLOWER OR OTHER HEAT PRODUCING COMPONENTS OF THIS UNIT.

A PRESSURE WIRE CONNECTOR IS PROVIDED ON THE EXTERIOR OF THE MOTOR/PUMP AND HEATER TO PERMIT CONNECTION OF AN NO. 8 AWG (8.4 MM) SOLID COPPER BONDING CONDUCTOR BETWEEN THIS UNIT AND ALL OTHER ELECTRIC EQUIPMENT AND EXPOSED METAL IN THE VICINITY, AS NEEDED TO COMPLY WITH LOCAL REQUIREMENTS.

PRECAUTIONS

- Do not operate the hydromassage system unless the bath is filled with water to at least 1" to 2" (2,5 - 5,08 cm) above the highest jet.
- Do not immerse the control panel by overfilling the bath.
- Do not use oil-based bath additives in your hydromassage bath.
- When cleaning your bath, do not use abrasive substances which will damage the bath's surface.
- To prevent discoloration of the acrylic finish, do not fill the bath with water in excess of 140°F (60°C).

NOTE: This is a professional grade product. A knowledge of construction techniques, plumbing and electrical installation according to codes are required for proper installation and user satisfaction. We recommend that a licensed contractor perform the installation of all Jacuzzi Whirlpool Bath products. Our warranty does not cover improper installation related problems.

PRODUCT SPECIFICATIONS ARE SUBJECT TO CHANGE WITHOUT NOTICE.

USE INSTALLATION INSTRUCTIONS SUPPLIED WITH PRODUCT.

The Company has obtained applicable code (standards) listings generally available on a national basis for products of this type. It is the responsibility of the installer/owner to determine specific local code compliance prior to installation of the product. The Company makes no representation or warranty regarding, and will not be responsible for any code compliance.

CONTENTS

Safety Instructions _____	2-3
Contents _____	4
Specifications _____	5-9
Roughing-in _____	10-17
Cutout _____	17
Installation Instructions _____	18-24
Framing and Support _____	18
Skirts _____	19
Service Access _____	20
Electrical Connections _____	21
Plumbing and Water Supply _____	22
Undermount Installation Instructions _____	23-24
Operation _____	25-26
Maintenance _____	27
General Troubleshooting Guide _____	28
Authorized Service _____	30
Warranty _____	31-32

NOTE: If you need a referral for a service company near you, or need assistance with operation or maintenance related questions, please call our USA Service Support Department at 1-800-288-4002. Visit our web site at <http://www.jacuzzi.com/> for products and services.

To find service agent listings for:

Electrical or Mechanical Repairs visit <http://jacuzzi.com/pdf/ASA.PDF>

Finish, Surface, or Shell-Related Repairs visit <http://jacuzzi.com/pdf/AFC.PDF>

Repair Parts or Accessories visit <http://jacuzzi.com/pdf/MPD.PDF>

SPECIFICATIONS

Important: Read complete instructions before beginning installation.

Each whirlpool bath arrives ready for installation, completely equipped with motor/pump assembly and plumbing and fittings necessary for whirlpool operation. An optional drain/overflow kit is available for installation on the bath.

Remove the bath from the carton. Retain the shipping carton until satisfactory inspection of the product has been made. **Do not lift the bath by the plumbing at any time; handle by the shell only.**

Immediately upon receipt, inspect the shell before installing. Should inspection reveal any damage or defect in the finish, do not install the bath. Damage or defect to the finish claimed after the bath is installed is excluded from the warranty. Jacuzzi Whirlpool Bath responsibility for shipping damage ceases upon delivery of the products in good order to the carrier. Refer any claims for damage to the carrier. For definitions of warranty coverage and limitations, refer to the published warranty information packed with the product.

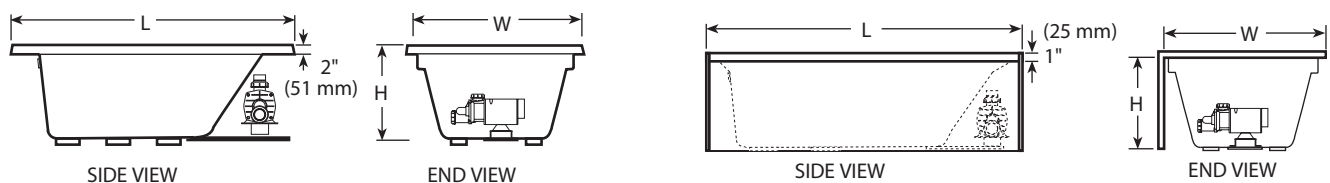
All bath units are factory tested for proper operation and watertight connections prior to shipping. **NOTE: Prior to installation, the bath must be filled with water and operated to check for leaks that may have resulted from shipping damage or mishandling.** Jacuzzi Whirlpool Bath is not responsible for any defect that could have been discovered, repaired, or avoided by following this inspection and testing procedure.

Not all tubs shown may be available as export units. Export tubs come with MANUAL controls and may come:

- with Pump/motor packaged separately,
- with Pump/motor installed,
- with NO overflow cutout.

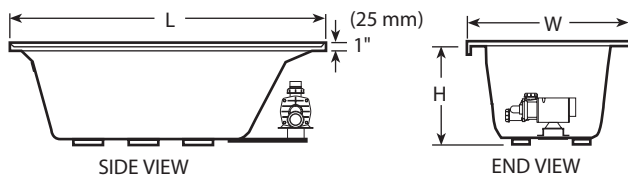
Because of the variety of export tub types some instructions may not apply to your unit. Disregard instructions that do not apply to your specific tub.

RECTANGULAR BATHS

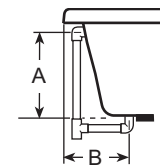


BATHS WITHOUT INTEGRAL SKIRT

BATHS WITH INTEGRAL SKIRT



BATHS WITH 3-SIDED TILE FLANGE



DRAIN/OVERFLOW

SPECIFICATIONS (Rectangular) LH = Left Hand, RH = Right Hand

MODEL	DIMENSIONS	DRAIN/OVERFLOW DIMENSIONS	CUTOUT	TOTAL WEIGHT/ FLOOR LOADING	OPERATING GALLONAGE	PRODUCT WEIGHT	SKIRT & MOUNTING	HEATER READY FOR FIELD INSTALLATION
AMIGA™ LH & RH	72" (1829 mm) L* 36" (914 mm) W 20-3/4" (533 mm) H	16-7/8" (429 mm) A 14" (356 mm) B	70" x 34" (1778 mm x 864 mm)	772 lb (351 kg) 43 lb/ft² (210 kg/m²)	50 U.S. gal (186 liters)	105 lb (48 kg)	Optional, U-Frame	Yes (S750000 HEATER KIT)
AMIGA™ WITH INTEGRAL SKIRT LH & RH	72" (1829 mm) L* 36" (914 mm) W 20-3/4" (533 mm) H	16-7/8" (429 mm) A 14" (356 mm) B	NA	796 lb (362 kg) 44 lb/ft² (214 kg/m²)	50 U.S. gal (186 liters)	129 lb (59 kg)	Integral	Yes (S750000 HEATER KIT)
BIANCA® LH	72" (1829 mm) L* 48" (1219 mm) W 20-1/2" (521 mm) H	16" (406 mm) A 8-1/2" (216 mm) B	70" x 46" (1778 mm x 1168 mm)	993 lb (451 kg) 41 lb/ft² (200 kg/m²)	73 U.S. gal (276 liters)	135 lb (61 kg)	Optional, U-Frame	Yes (S750000 HEATER KIT)
CETRA® WITH INTEGRAL SKIRT LH & RH	60" (1524 mm) L* 32" (813 mm) W 20-1/2" (521 mm) H	17-7/8" (454 mm) A 9-3/8" (238 mm) B	NA	727 lb (330 kg) 55 lb/ft² (268 kg/m²)	46 U.S. gal (174 liters)	94 lb (43 kg)	Integral	Yes (S750000 HEATER KIT)
CETRA® 532 LH & RH	60" (1524 mm) L* 31-7/8" (791 mm) W 21-1/4" (553 mm) H	18-1/2" (470 mm) A 9" (229 mm) B	58" x 30-1/4" (1473 mm x 768 mm)	697 lb (317 kg) 53 lb/ft² (259 kg/m²)	43 U.S. gal (163 liters)	89 lb (41 kg)	Optional U-Frame	Yes (S750000 HEATER KIT)
CETRA® 536 LH & RH	60" (1524 mm) L* 36" (914 mm) W 21-1/4" (553 mm) H	18-1/2" (470 mm) A 9" (229 mm) B	58" x 34-1/4" (1473 mm x 870 mm)	742 lb (337 kg) 50 lb/ft² (244 kg/m²)	48 U.S. gal (181 liters)	92 lb (42 kg)	Optional U-Frame	Yes (S750000 HEATER KIT)

*Add 1/4" (6,4 mm) to this dimension when roughing-in for 3-wall niche.

NOTE: The overall dimensions are nominal with a tolerance of +0 and -1/4" (6,4 mm).

FOR ALL UNITS: Electrical Service Requirements: All require a dedicated GFCI protected separate circuit.

(Optional) RapidHeat™: 115 VAC, 15 AMP, 60 Hz. dedicated GFCI protected separate circuit.

Motor/Pump: 115 VAC, 15 Amp, 60 Hz. dedicated GFCI protected separate circuit.

SPECIFICATIONS

SPECIFICATIONS (Rectangular) LH = Left Hand, RH = Right Hand

ENGLISH

MODEL	DIMENSIONS	DRAIN/OVERFLOW DIMENSIONS	CUTOUT	TOTAL WEIGHT/ FLOOR LOADING	OPERATING GALLONAGE	PRODUCT WEIGHT	SKIRT & MOUNTING	HEATER READY FOR FIELD INSTALLATION
CETRA[®] 536 WITH INTEGRAL SKIRT LH & RH	60" (1524 mm) L* 36" (914 mm) W 21-1/4" (553 mm) H	18-1/2" (470 mm) A 9" (229 mm) B	NA	742 lb (337 kg)/ 50 lb/ft ² (244 kg/m ²)	48 U.S. gal (181 liters)	92 lb (42 kg)	Integral	Yes (S750000 HEATER KIT)
LUXURA[™] 5 WITH INTEGRAL 3-SIDED TILE FLANGE LH & RH	60" (1524 mm) L* 32" (813 mm) W 20-1/4" (514 mm) H	15-1/4" (387 mm) A 8-1/4" (210 mm) B	NA Molded-in Tile Flange	697 lb (264 kg)/ 52 lb/ft ² (254 kg/m ²)	44 U.S. gal (167 liters)	80 lb (36 kg)	Optional, U-Frame	Yes (S750000 HEATER KIT)
LUXURA[™] 5 WITH INTEGRAL SKIRT LH & RH	60" (1524 mm) L 32" (813 mm) W 20-1/4" (514 mm) H	15-1/4" (387 mm) A 8-1/4" (210 mm) B	NA	700 lb (318 kg)/ 53 lb/ft ² (259 kg/m ²)	42 U.S. gal (159 liters)	100 lb (45 kg)	Integral	Yes (S750000 HEATER KIT)
LUXURA[™] 5.5 LH & RH	66" (1676 mm) L* 34" (864 mm) W 20" (508 mm) H	15-1/4" (387 mm) A 8-3/8" (213 mm) B	64" x 32" (1626 mm x 813 mm)	823 lb (374 kg)/ 53 lb/ft ² (259 kg/m ²)	58 U.S. gal (220 liters)	90 lb (41 kg)	Optional, U-Frame	Yes (S750000 HEATER KIT)
LUXURA[™] 530 WITH INTEGRAL SKIRT LH & RH	60" (1524 mm) L* 30" (762 mm) W 20-1/4" (483 mm) H	16-3/4" (425 mm) A 9-1/4" (235 mm) B	NA	662 lb (301 kg)/ 53 lb/ft ² (259 kg/m ²)	38 U.S. gal (144 liters)	95 lb (43 kg)	Integral	Yes (U395000 HEATER KIT)
MAJORA[®] 5 LH & RH	60" (1524 mm) L* 42" (1067 mm) W 19-1/2" (495 mm) H	15" (381 mm) A 8-3/4" (222 mm) B	58" x 40" (1473 mm x 1016 mm)	728 lb (331 kg)/ 42 lb/ft ² (205 kg/m ²)	46 U.S. gal (172 liters)	95 lb (43 kg)	Not Available	Yes (S750000 HEATER KIT)
MAJORA[®] 6 LH & RH	72" (1829 mm) L* 42" (1067 mm) W 19-3/4" (502 mm) H	15-5/8" (397 mm) A 10-1/2" (267 mm) B	70" x 40" (1778 mm x 1016 mm)	937 lb (423 kg)/ 44 lb/ft ² (215 kg/m ²)	70 U.S. gal (265 liters)	104 lb (47 kg)	Not Available	Yes (S750000 HEATER KIT)
MAJORA[®] 6 WITH INTEGRAL SKIRT LH & RH	72" (1829 mm) L* 42" (1067 mm) W 19-3/4" (502 mm) H	15-5/8" (397 mm) A 10-1/2" (267 mm) B	NA	947 lb (430 kg)/ 45 lb/ft ² (220 kg/m ²)	70 U.S. gal (265 liters)	114 lb (52 kg)	Integral	Yes (S750000 HEATER KIT)
MITO[®] 5 LH & RH	60" (1524 mm) L* 42" (1067 mm) W 21" (533 mm) H	17-1/2" (445 mm) A 11-7/8" (302 mm) B	58" x 40" (1473 mm x 1016 mm)	866 lb (394 kg)/ 50 lb/ft ² (244 kg/m ²)	62 U.S. gal (235 liters)	100 lb (45 kg)	Optional, U-Frame	Yes (S750000 HEATER KIT)
MITO[®] 6 LH & RH	72" (1829 mm) L* 42" (1067 mm) W 21-1/2" (546 mm) H	17-1/2" (445 mm) A 11-7/8" (302 mm) B	70" x 40" (1778 mm x 1016 mm)	993 lb (451 kg)/ 47 lb/ft ² (229 kg/m ²)	76 U.S. gal (288 liters)	110 lb (50 kg)	Not Available	Yes (S750000 HEATER KIT)
NOVA[®] 5 LH & RH	60" (1524 mm) L* 42" (1067 mm) W 18-1/2" (470 mm) H	14-3/4" (375 mm) A 8-1/2" (216 mm) B	58" x 40" (1473 mm x 1016 mm)	722 lb (328 kg)/ 41 lb/ft ² (200 kg/m ²)	46 U.S. gal (170 liters)	97 lb (44 kg)	Optional, U-Frame	Yes (S750000 HEATER KIT)

*Add 1/4" (6,4 mm) to this dimension when roughing-in for 3-wall niche.

NOTE: The overall dimensions are nominal with a tolerance of +0 and -1/4" (6,4 mm).

FOR ALL UNITS: Electrical Service Requirements: All require a dedicated GFCI protected separate circuit.

(Optional) RapidHeat[™]: 115 VAC, 15 AMP, 60 Hz. dedicated GFCI protected separate circuit.

Motor/Pump: 115 VAC, 15 Amp, 60 Hz. dedicated GFCI protected separate circuit.

SPECIFICATIONS

SPECIFICATIONS (Rectangular) LH = Left Hand, RH = Right Hand

MODEL	DIMENSIONS	DRAIN/OVERFLOW DIMENSIONS	CUTOUT	TOTAL WEIGHT/ FLOOR LOADING	OPERATING GALLONAGE	PRODUCT WEIGHT	SKIRT & MOUNTING	HEATER READY FOR FIELD INSTALLATION
NOVA® 5 WITH INTEGRAL 3-SIDED TILE FLANGE LH & RH	60" (1524 mm) L* 42" (1067 mm) W 18-1/2" (470 mm) H	14-3/4" (375 mm) A 8-1/2" (216 mm) B	NA Molded-in Tile Flange	722 lb (328 kg)/ 41 lb/ft ² (200 kg/m ²)	46 U.S. gal (174 liters)	97 lb (44 kg)	Not Available	Yes (S750000 HEATER KIT)
NOVA® 5 WITH INTEGRAL SKIRT LH & RH	60" (1524 mm) L* 42" (1067 mm) W 18-1/2" (470 mm) H	15-7/8" (403 mm) A 9-1/4" (235 mm) B	NA	737 lb (335 kg)/ 42 lb/ft ² (205 kg/m ²)	45 U.S. gal (174 liters)	112 lb (51 kg)	Integral	No
NOVA® 6 LH & RH	72" (1829 mm) L* 42" (1067 mm) W 20-1/2" (521 mm) H	14-3/4" (375 mm) A 8-1/2" (216 mm) B	70" x 40" (1778 mm x 1016 mm)	876 lb (398 kg)/ 42 lb/ft ² (205 kg/m ²)	62 U.S. gal (235 liters)	110 lb (50 kg)	Optional, U-Frame	Yes (S750000 HEATER KIT)
NOVA® 536 LH & RH	60" (1524 mm) L* 36" (914 mm) W 19-1/4" (489 mm) H	15-1/8" (384 mm) A 9" (229 mm) B	58" x 34" (1473 mm x 863 mm)	683 lb (310 kg)/ 46 lb/ft ² (224 kg/m ²)	42 U.S. gal (159 liters)	83 lb (38 kg)	Not Available	Yes (S750000 HEATER KIT)
NOVA® 536 WITH INTEGRAL SKIRT LH & RH	60" (1524 mm) L* 36" (914 mm) W 19-1/4" (489 mm) H	14-5/8" (372 mm) A 9" (229 mm) B	NA	698 lb (316 kg)/ 47 lb/ft ² (229 kg/m ²)	42 U.S. gal (159 liters)	98 lb (45 kg)	Integral	Yes (S750000 HEATER KIT)
NOVA® 636 WITH INTEGRAL SKIRT LH & RH	72" (1829 mm) L* 36" (914 mm) W 19" (483 mm) H	14-5/8" (372 mm) A 9-3/8" (238 mm) B	NA	824 lb (375 kg)/ 45.8 lb/ft ² (223 kg/m ²)	56 U.S. gal (223 liters)	108 lb (49 kg)	Integral	Yes (S750000 HEATER KIT)
SIGNA® 5 LH & RH	60" (1524 mm) L* 42" (1067 mm) W 22" (559 mm) H	17-1/2" (445 mm) A 12-1/2" (318 mm) B	58" x 40" (1473 mm x 1016 mm)	708 lb (321 kg)/ 40 lb/ft ² (195 kg/m ²)	42 U.S. gal (159 liters)	108 lb (49 kg)	Optional, U-Frame	Yes (S750000 HEATER KIT)
SIGNA® 5 WITH INTEGRAL SKIRT, FRONT RIGHT MOTOR/PUMP LH & RH	60" (1524 mm) L* 42" (1067 mm) W 22" (559 mm) H	17-7/8" (451 mm) A 12-3/4" (330 mm) B	NA	723 lb (329 kg)/ 41 lb/ft ² (200 kg/m ²)	42 U.S. gal (159 liters)	123 lb (56 kg)	Integral	Yes (U395000 HEATER KIT)
SIGNA® 5 WITH INTEGRAL 3-SIDED TILE FLANGE RH	60" (1524 mm) L* 42" (1067 mm) W 22" (559 mm) H	17-1/2" (445 mm) A 12-1/2" (318 mm) B	NA	708 lb (321 kg)/ 40 lb/ft ² (195 kg/m ²)	42 U.S. gal (159 liters)	108 lb (49 kg)	Optional, U-Frame	Yes (S750000 HEATER KIT)
SIGNA® 6 LH & RH	72" (1829 mm) L* 42" (1067 mm) W 22" (559 mm) H	16-7/8" (429 mm) A 14" (356 mm) B	70" x 40" (1778 mm x 1016 mm)	826 lb (375 kg)/ 39 lb/ft ² (190 kg/m ²)	55 U.S. gal (208 liters)	118 lb (54 kg)	Not Available	Yes (S750000 HEATER KIT)

*Add 1/4" (6,4 mm) to this dimension when roughing-in for 3-wall niche.

NOTE: The overall dimensions are nominal with a tolerance of +0 and -1/4" (6,4 mm).

FOR ALL UNITS: Electrical Service Requirements: All require a dedicated GFCI protected separate circuit.

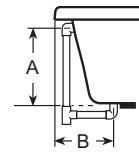
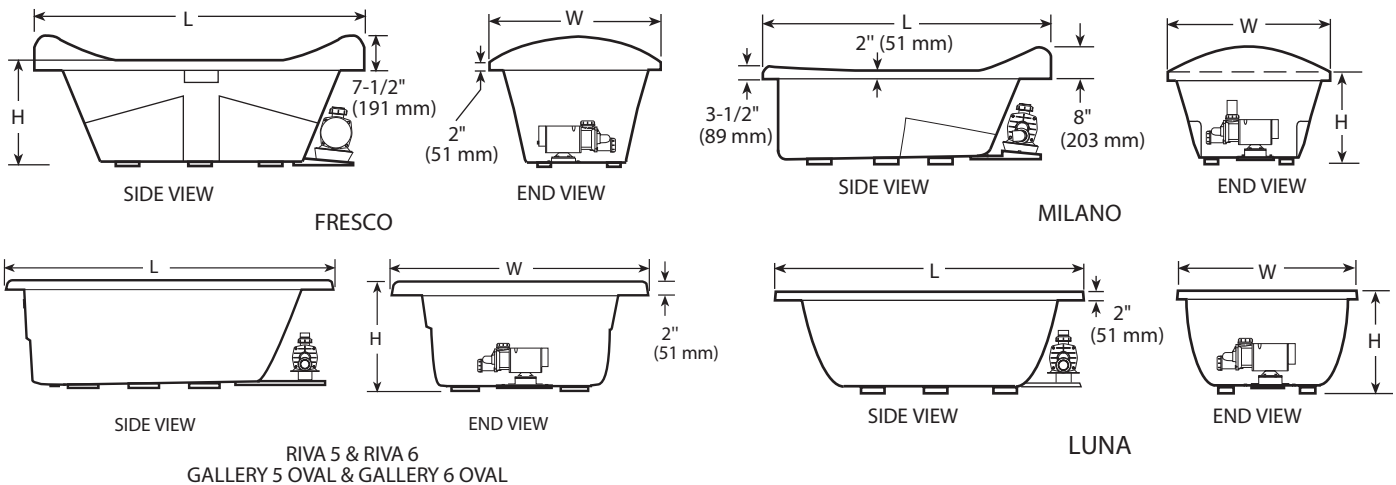
(Optional) RapidHeat™: 115 VAC, 15 AMP, 60 Hz. dedicated GFCI protected separate circuit.

Motor/Pump: 115 VAC, 15 Amp, 60 Hz. dedicated GFCI protected separate circuit.

SPECIFICATIONS

RIMLESS OVAL BATHS

ENGLISH



SPECIFICATIONS (Oval) LH = Left Hand, RH = Right Hand

MODEL	DIMENSIONS	DRAIN/OVERFLOW DIMENSIONS	CUTOUT	TOTAL WEIGHT/ FLOOR LOADING	OPERATING GALLONAGE	PRODUCT WEIGHT	SKIRT & MOUNTING	HEATER READY FOR FIELD INSTALLATION
FRESCO[®] LH & RH	71-1/2" (1816 mm) L 42" (1067 mm) W 27-1/4" (692 mm) H*	20-1/8" (511 mm) A 11-3/4" (299 mm) B	Template Provided P/N P188000	921 lb (419 kg)/ 44 lb/ft ² (220 kg/m ²)	63 U.S. gal (239 liters)	146 lb (66 kg)	Not Available	Yes (S750000 HEATER KIT)
GALLERY™ 5 OVAL LH & RH	62" (1575 mm) L 43" (1092 mm) W 19" (483 mm) H	14-3/4" (375 mm) A 9-1/2" (241 mm) B	Template Provided P/N P186000	746 lb (339 kg)/ 40 lb/ft ² (195 kg/m ²)	48 U.S. gal (182 liters)	96 lb (44 kg)	Not Available	Yes (S750000 HEATER KIT)
GALLERY™ 6 OVAL LH & RH	72" (1829 mm) L 42" (1067 mm) W 20-1/2" (521 mm) H	16" (406 mm) A 11-1/2" (292 mm) B	Template Provided P/N P186000	871 lb (395 kg)/ 42 lb/ft ² (205 kg/m ²)	62 U.S. gal (235 liters)	105 lb (48 kg)	Not Available	Yes (S750000 HEATER KIT)
GALLERY™ 6 OVAL UNDERMOUNT LH & RH	72" (1829 mm) L 42" (1067 mm) W 20-1/2" (521 mm) H	16" (406 mm) A 11-1/2" (292 mm) B	Template Provided P/N X302000	871 lb (395 kg)/ 42 lb/ft ² (205 kg/m ²)	62 U.S. gal (235 liters)	105 lb (48 kg)	Not Available	Yes (S750000 HEATER KIT)
LUNA™ RH	72" (1829 mm) L 42" (1067 mm) W 23" (584 mm) H	19-1/8" (486 mm) A 11" (279 mm) B	Template Provided P/N P819000	1221 lb (555 kg)/ 58 lb/ft ² (283 kg/m ²)	96 U.S. gal (364 liters)	121 lb (55 kg)	Not Available	Yes (S750000 HEATER KIT)
MILANO™ LH & RH	72" (1829 mm) L 40" (1016 mm) W 20-3/4" (527 mm) H	18-1/2" (470 mm) A 11" (279 mm) B	Template Provided P/N P188000	893 lb (406 kg)/ 45 lb/ft ² (220 kg/m ²)	60 U.S. gal (227 liters)	143 lb (65 kg)	Not Available	Yes (S750000 HEATER KIT)
OPALIA™ LH & RH	72" (1829 mm) L 44" (1118 mm) W 22-1/4" (565 mm) H	18-3/4" (476 mm) A 12" (305 mm) B	Template Provided P/N P186000	978 lb (445 kg)/ 45 lb/ft ² (220 kg/m ²)	70 U.S. gal (265 liters)	145 lb (66 kg)	Not Available	Yes (S750000 HEATER KIT)
RIVA[®] 5 LH & RH	62" (1575 mm) L 43" (1092 mm) W 19" (483 mm) H	14-3/4" (375 mm) A 9-1/2" (241 mm) B	Template Provided P/N P186000	746 lb (339 kg)/ 40 lb/ft ² (195 kg/m ²)	48 U.S. gal (182 liters)	96 lb (44 kg)	Not Available	Yes (S750000 HEATER KIT)
RIVA[®] 6 LH & RH	72" (1829 mm) L 42" (1067 mm) W 20-1/2" (521 mm) H	16" (406 mm) A 11-1/2" (292 mm) B	Template Provided P/N P186000	871 lb (396 kg)/ 42 lb/ft ² (205 kg/m ²)	62 U.S. gal (235 liters)	105 lb (48 kg)	Not Available	Yes (S750000 HEATER KIT)

* For Fresco™ models H551, H549, and H550 this height is 23-3/4"

NOTE: The overall dimensions are nominal with a tolerance of +0 and -1/4" (6,4 mm).

FOR ALL UNITS: Electrical Service Requirements: All require a dedicated GFCI protected separate circuit.

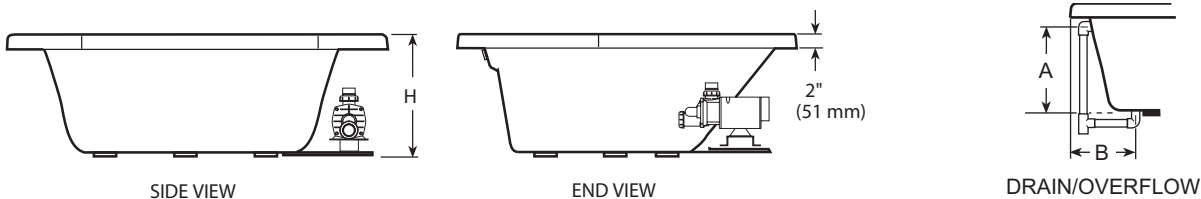
(Optional) RapidHeat™: 115 VAC, 15 AMP, 60 Hz. dedicated GFCI protected separate circuit.

Motor/Pump: 115 VAC, 15 Amp, 60 Hz. dedicated GFCI protected separate circuit.

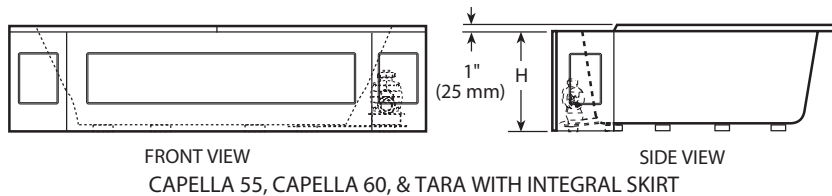
SPECIFICATIONS

CORNER BATHS

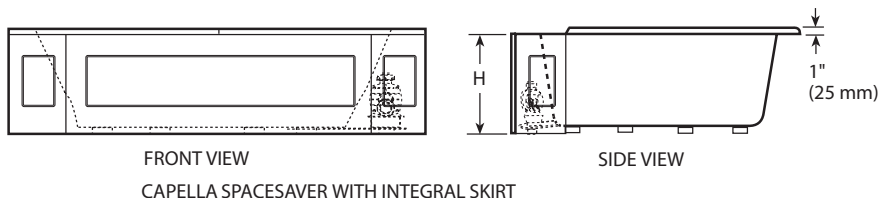
ENGLISH



CORNER BATH



FRONT VIEW
SIDE VIEW
CAPELLA 55, CAPELLA 60, & TARA WITH INTEGRAL SKIRT



FRONT VIEW
SIDE VIEW
CAPELLA SPACESAVER WITH INTEGRAL SKIRT

SPECIFICATIONS (Corner) LH = Left Hand, RH = Right Hand

MODEL	DIMENSIONS	DRAIN/OVERFLOW DIMENSIONS	CUTOUT	TOTAL WEIGHT/ FLOOR LOADING	OPERATING GALLONAGE	PRODUCT WEIGHT	SKIRT & MOUNTING	HEATER READY FOR FIELD INSTALLATION
CAPELLA® 55 RH	55" (1397 mm) L 55" (1397 mm) L 20-1/4" (514 mm) H	17-1/2" (445 mm) A 9-5/8" (245 mm) B	Template Provided P/N DA24000	791 lb (360 kg)/ 38 lb/ft ² (185 kg/m ²)	51 U.S. gal (193 liters)	116 lb (53 kg)	Optional	Yes (S750000 HEATER KIT)
CAPELLA® 55 WITH INTEGRAL SKIRT RH	55" (1397 mm) L 55" (1397 mm) L 20-1/2" (521 mm) H	18" (457 mm) A 12-1/8" (308 mm) B	NA	1025 lb (466 kg)/ 48.8 lb/ft ² (238 kg/m ²)	54 U.S. gal (204 liters)	125 lb (57 kg)	Integral	No
CAPELLA® SPACESAVER WITH INTEGRAL SKIRT RH	60" (1524 mm) L 60" (1524 mm) L 20-1/2" (521 mm) H	18" (457 mm) A 12-3/8" (308 mm) B	NA	880 lb (400 kg)/ 35 lb/ft ² (171 kg/m ²)	60 U.S. gal (227 liters)	130 lb (59 kg)	Integral	No
CAPELLA® 60 FRONT LEFT MOTOR/PUMP LH	60" (1524 mm) L 60" (1524 mm) L 20-1/2" (521 mm) H	18" (457 mm) A 12-1/8" (308 mm) B	See Page 17	870 lb (395 kg)/ 35 lb/ft ² (171 kg/m ²)	60 U.S. gal (227 liters)	120 lb (54 kg)	Not Available	No
CAPELLA® 60 LH & RH	60" (1524 mm) L 60" (1524 mm) L 20-1/2" (521 mm) H	18" (457 mm) A 12-1/8" (308 mm) B	See Page 17	870 lb (395 kg)/ 35 lb/ft ² (171 kg/m ²)	60 U.S. gal (227 liters)	120 lb (54 kg)	Not Available	No
CAPELLA® 60 WITH INTEGRAL SKIRT RH	60" (1524 mm) L 60" (1524 mm) L 20-1/2" (521 mm) H	18" (457 mm) A 12-1/8" (308 mm) B	NA	880 lb (400 kg)/ 35 lb/ft ² (171 kg/m ²)	60 U.S. gal (227 liters)	130 lb (59 kg)	Integral	No
GALLERY™ CORNER LH & RH	60" (1524 mm) L 60" (1524 mm) L 22-1/2" (572 mm) H	18-1/8" (451 mm) A 12" (305 mm) B	See Page 17	984 lb (447 kg)/ 39 lb/ft ² (244 kg/m ²)	74 U.S. gal (280 liters)	118 lb (54 kg)	Not Available	Yes (S750000 HEATER KIT)
TARA™ LH & RH	60" (1524 mm) L 60" (1524 mm) L 20-3/4" (527 mm) H	16" (406 mm) A 12-3/8" (314 mm) B	See Page 17	984 lb (447 kg)/ 39 lb/ft ² (190 kg/m ²)	74 U.S. gal (280 liters)	118 lb (54 kg)	Optional	Yes (S750000 HEATER KIT)
TARA™ WITH INTEGRAL SKIRT RH	60" (1524 mm) L 60" (1524 mm) L 20-3/4" (527 mm) H	16" (406 mm) A 12-3/8" (314 mm) B	NA	999 lb (454 kg)/ 40 lb/ft ² (195 kg/m ²)	74 U.S. gal (280 liters)	133 lb (61 kg)	Integral	No

NOTE: The overall dimensions are nominal with a tolerance of +0 and -1/4" (6,4 mm).

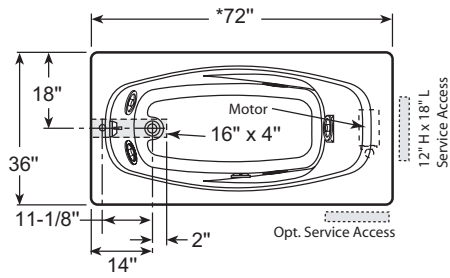
FOR ALL UNITS: Electrical Service Requirements: All require a dedicated GFCI protected separate circuit.

(Optional) RapidHeat™: 115 VAC, 15 AMP, 60 Hz. dedicated GFCI protected separate circuit.

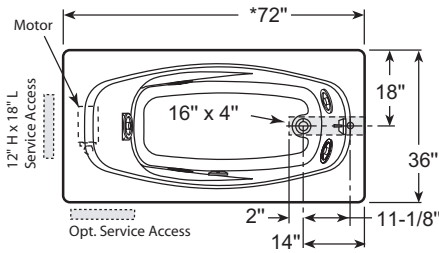
Motor/Pump: 115 VAC, 15 Amp, 60 Hz. dedicated GFCI protected separate circuit.

ROUGHING-IN

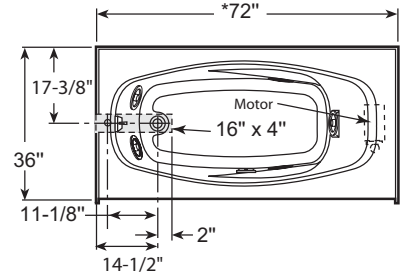
ROUGHING-IN REFERENCE (RECTANGULAR)



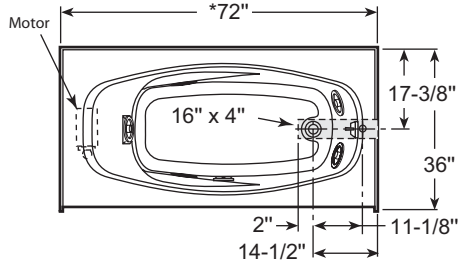
AMIGA™, Left Hand



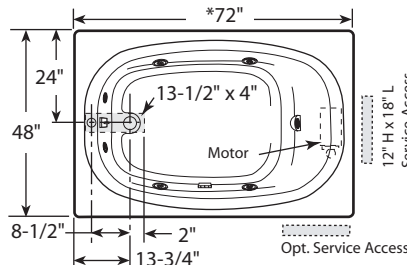
AMIGA™, Right Hand



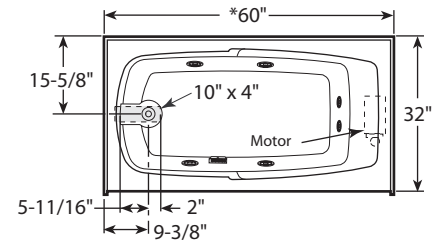
AMIGA™ WITH INTEGRAL SKIRT, Left Hand



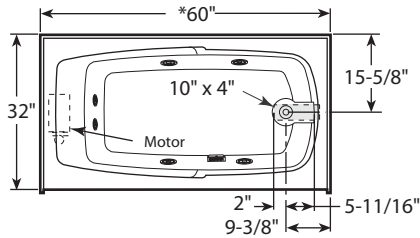
AMIGA™ WITH INTEGRAL SKIRT, Right Hand



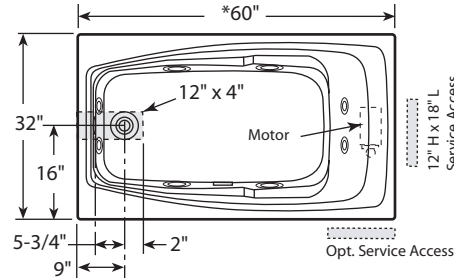
(Left-hand only as shown)
BIANCA™



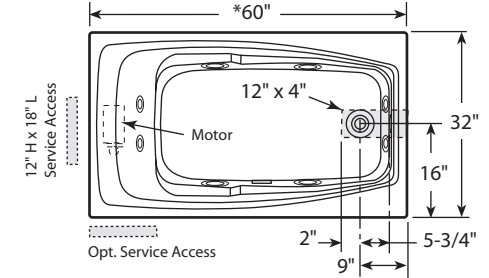
CETRA™ W/INTEGRAL SKIRT, Left Hand



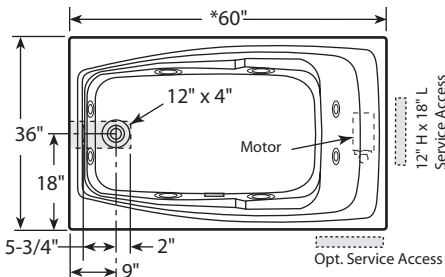
CETRA™ W/INTEGRAL SKIRT, Right Hand



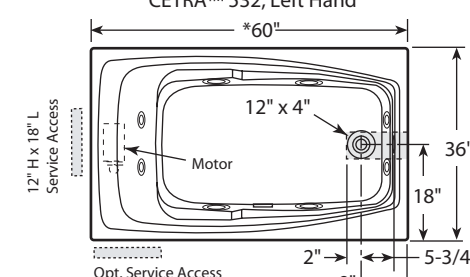
CETRA™ 532, Left Hand



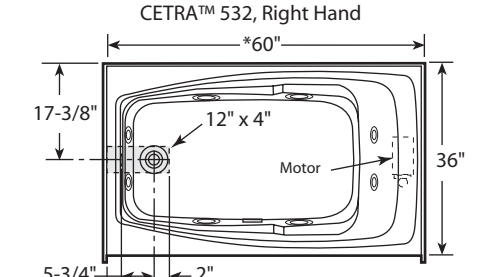
CETRA™ 532, Right Hand



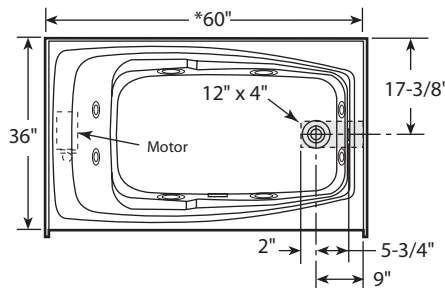
CETRA™ 536, Left Hand



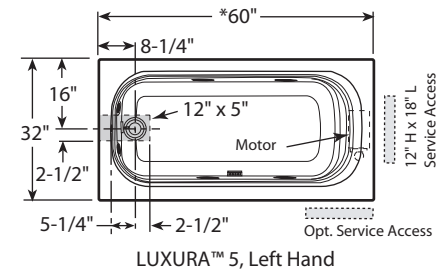
CETRA™ 536, Right Hand



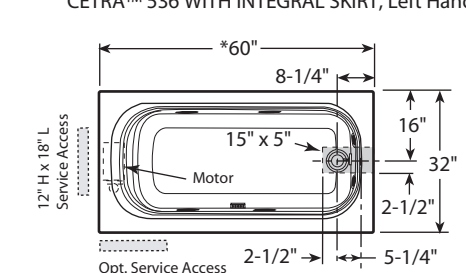
CETRA™ 536 WITH INTEGRAL SKIRT, Left Hand



CETRA™ 536 WITH INTEGRAL SKIRT, Right Hand



LUXURA™ 5, Left Hand



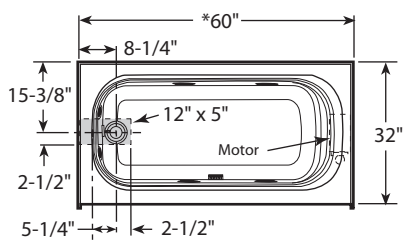
LUXURA™ 5, Right Hand

*Add 1/4" (6,4 mm) to this dimension when roughing-in for 3-wall niche.

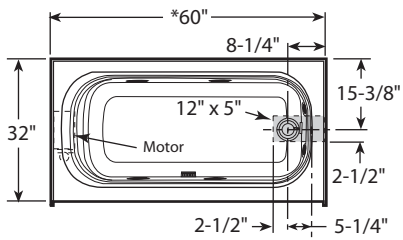
- NOTE:
1. The overall dimensions are nominal with a tolerance of +0 and -1/4" (6,4 mm).
 2. Service Access dimensions given are minimum. Service access is still required for units that do not have pre-installed Pump/Motor.
 3. Measurements inside each unit represent cutout in floor to allow for drain/overflow.
 4. All measurements are in inches. To convert to millimeters, multiply inches by 25.4.
 5. Not all export units come with pre-installed Pump/Motor.

ROUGHING-IN

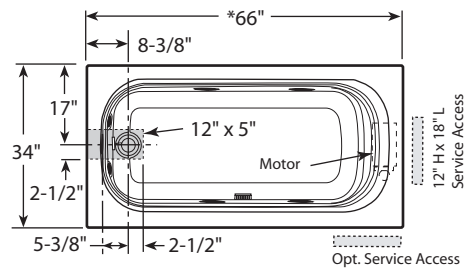
ROUGHING-IN REFERENCE (RECTANGULAR)



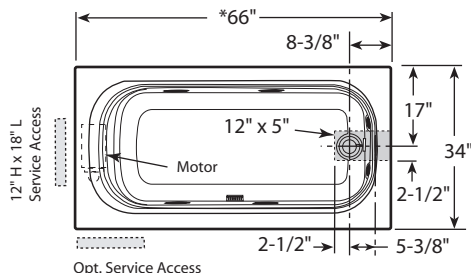
LUXURA™ 5 WITH INTEGRAL SKIRT, Left Hand



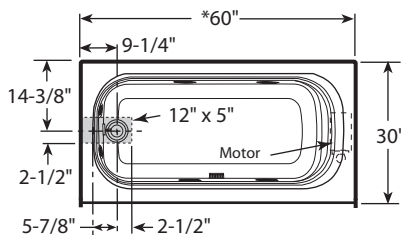
LUXURA™ 5 WITH INTEGRAL SKIRT, Right Hand



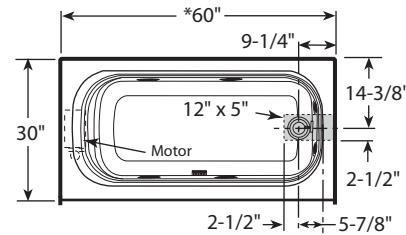
LUXURA™ 5.5, Left Hand



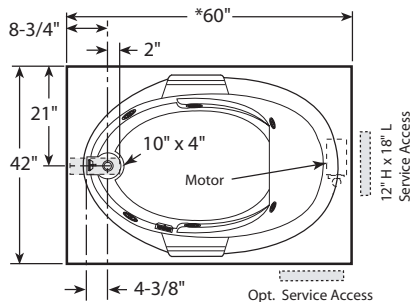
LUXURA™ 5.5, Right Hand



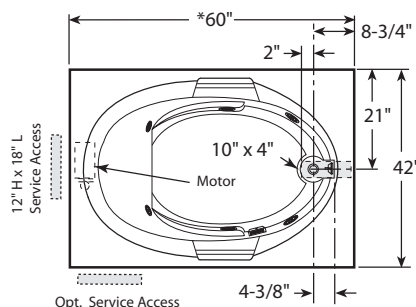
LUXURA™ 530 WITH INTEGRAL SKIRT, Left Hand



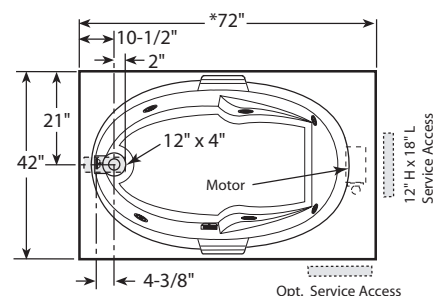
LUXURA™ 530 WITH INTEGRAL SKIRT, Right Hand



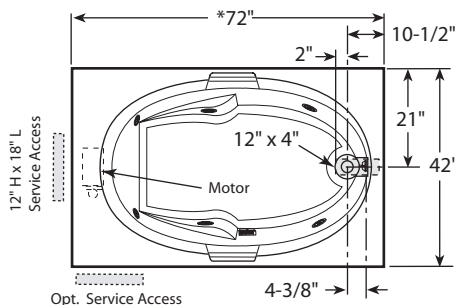
MAJORA™ 5, Left Hand



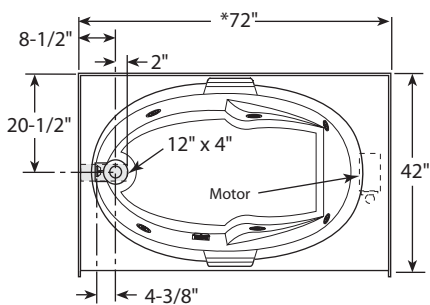
MAJORA™ 5, Right Hand



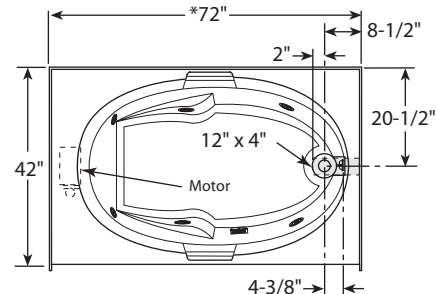
MAJORA™ 6, Left Hand



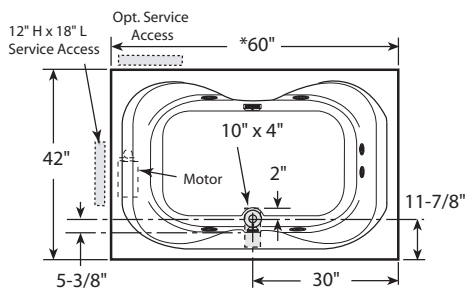
MAJORA™ 6, Right Hand



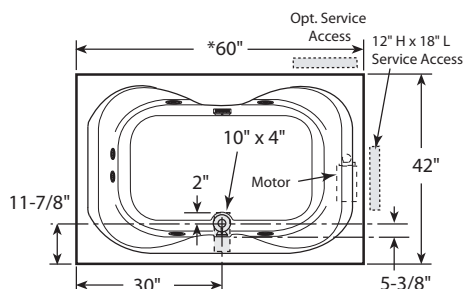
MAJORA™ 6 W/INTEGRAL SKIRT, Left Hand



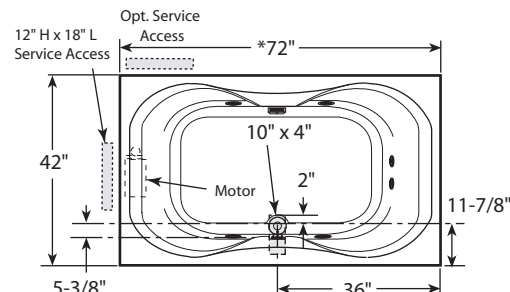
MAJORA™ 6 W/INTEGRAL SKIRT, Right Hand



MITO™ 5, Left Hand



MITO™ 5, Right Hand



MITO™ 6, Left Hand

*Add 1/4" (6,4 mm) to this dimension when roughing-in for 3-wall niche.

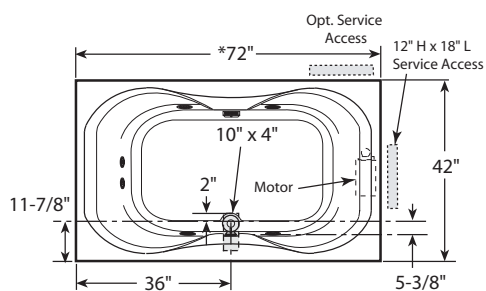
- NOTE: 1. The overall dimensions are nominal with a tolerance of +0 and -1/4" (6,4 mm).
2. Service Access dimensions given are minimum. Service access is still required for units that do not have pre-installed Pump/Motor.
3. Measurements inside each unit represent cutout in floor to allow for drain/overflow.
4. All measurements are in inches. To convert to millimeters, multiply inches by 25.4.
5. Not all export units come with pre-installed Pump/Motor.

ENGLISH

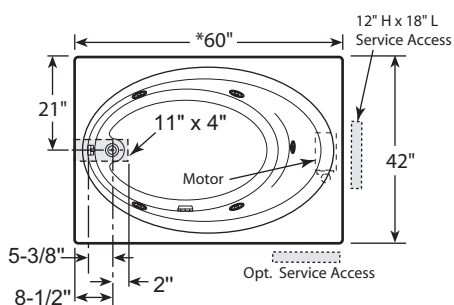
ROUGHING-IN

ROUGHING-IN REFERENCE (RECTANGULAR)

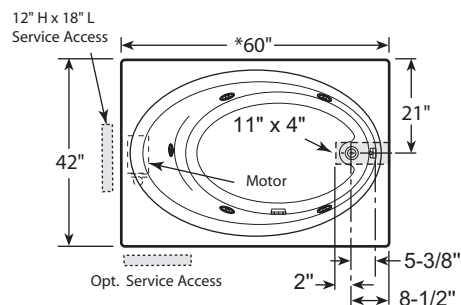
ENGLISH



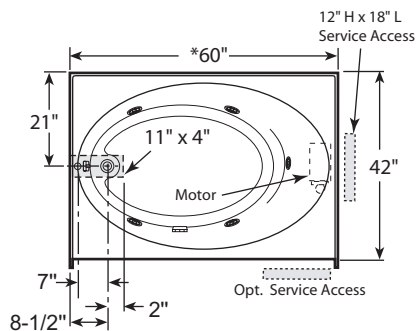
MITO™ 6, Right Hand



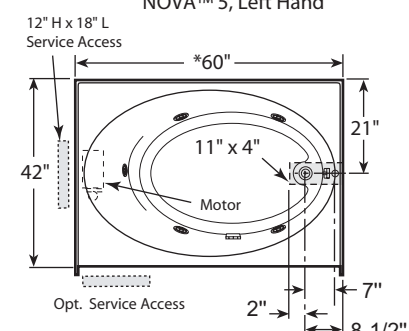
NOVA™ 5, Left Hand



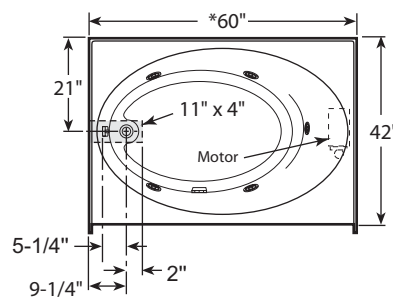
NOVA™ 5, Right Hand



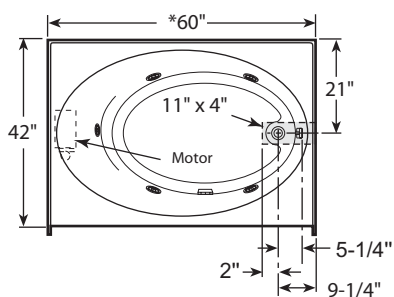
NOVA™ 5 W/3-SIDED TILE FLANGE, Left Hand



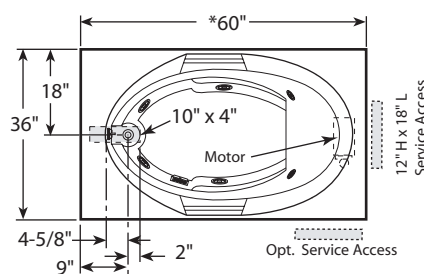
NOVA™ 5 W/3-SIDED TILE FLANGE, Right Hand



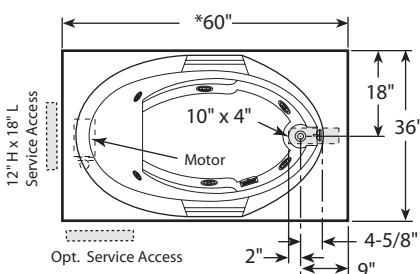
NOVA™ 5 WITH INTEGRAL SKIRT, Left Hand



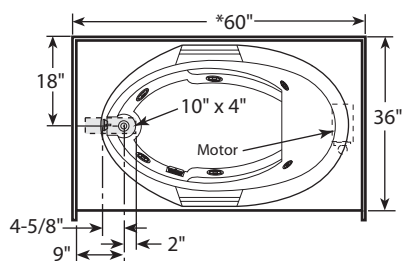
NOVA™ 5 WITH INTEGRAL SKIRT, Right Hand



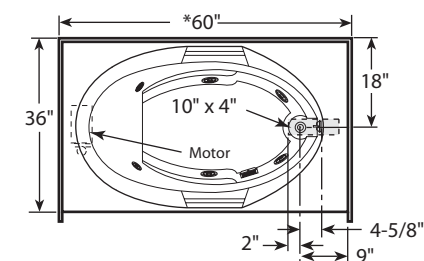
NOVA™ 536, Left Hand



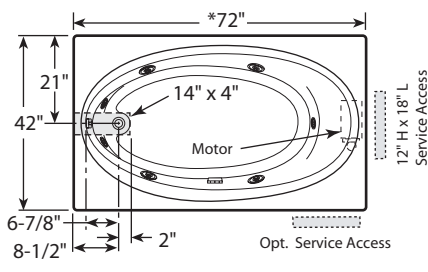
NOVA™ 536, Right Hand



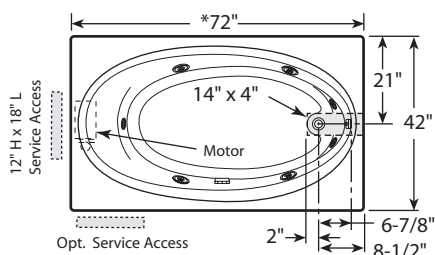
NOVA™ 536 W/INTEGRAL SKIRT, Left Hand



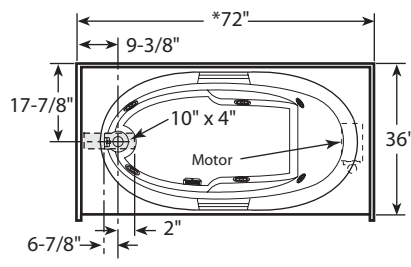
NOVA™ 536 W/INTEGRAL SKIRT, Right Hand



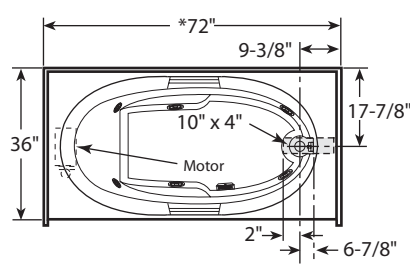
NOVA™ 6, Left Hand



NOVA™ 6, Right Hand



NOVA™ 636 W/INTEGRAL SKIRT, Left Hand



NOVA™ 636 W/INTEGRAL SKIRT, Right Hand

*Add 1/4" (6,4 mm) to this dimension when roughing-in for 3-wall niche.

NOTE: 1. The overall dimensions are nominal with a tolerance of +0 and -1/4" (6,4 mm).

2. Service Access dimensions given are minimum. Service access is still required for units that do not have pre-installed Pump/Motor.

3. Measurements inside each unit represent cutout in floor to allow for drain/overflow.

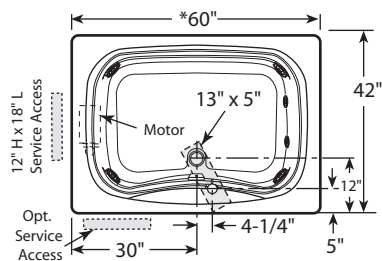
4. All measurements are in inches. To convert to millimeters, multiply inches by 25.4.

5. Not all export units come with pre-installed Pump/Motor.

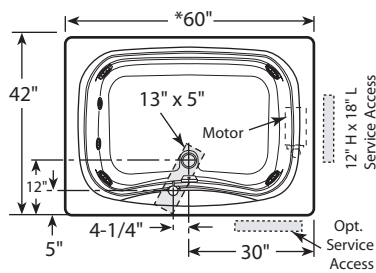
ROUGHING-IN

ROUGHING-IN REFERENCE (RECTANGULAR)

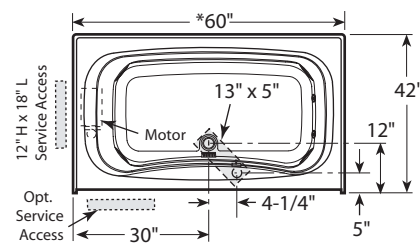
ENGLISH



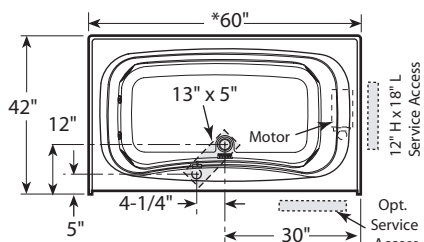
SIGNA™ 5, Left Hand



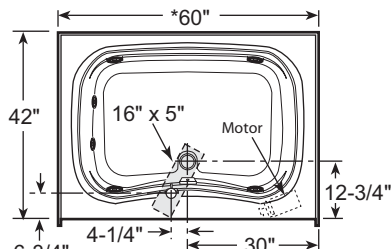
SIGNA™ 5, Right Hand



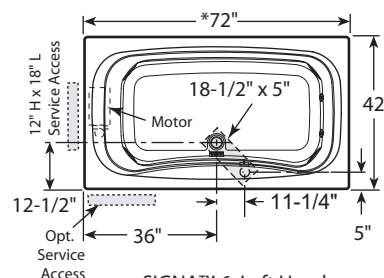
SIGNA™ 5 W/3-SIDED TILE FLANGE, Left Hand



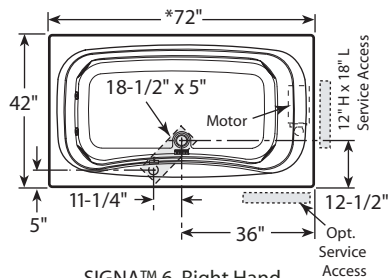
SIGNA™ 5 W/3-SIDED TILE FLANGE, Right Hand



(Right hand only as shown)
SIGNA™ 5 W/INTEGRAL SKIRT



SIGNA™ 6, Left Hand



SIGNA™ 6, Right Hand

*Add 1/4" (6,4 mm) to this dimension when roughing-in for 3-wall niche.

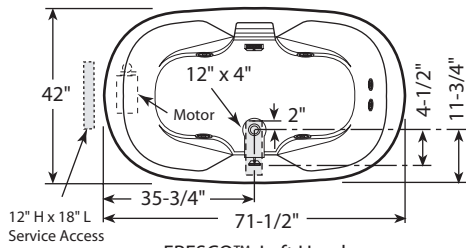
- NOTE:
1. The overall dimensions are nominal with a tolerance of +0 and -1/4" (6,4 mm).
 2. Service Access dimensions given are minimum. Service access is still required for units that do not have pre-installed Pump/Motor.
 3. Measurements inside each unit represent cutout in floor to allow for drain/overflow.
 4. All measurements are in inches. To convert to millimeters, multiply inches by 25.4.
 5. Not all export units come with pre-installed Pump/Motor.

ROUGHING-IN

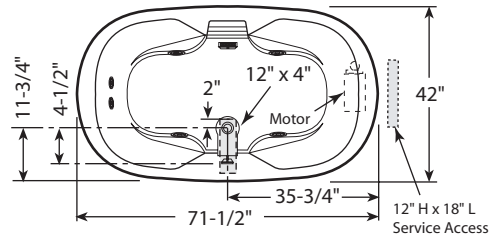
ROUGHING-IN REFERENCE (OVAL)

NOTE: These units have been provided with cutout templates included in shipping carton.
See CUTOUT information for each model on page 8.

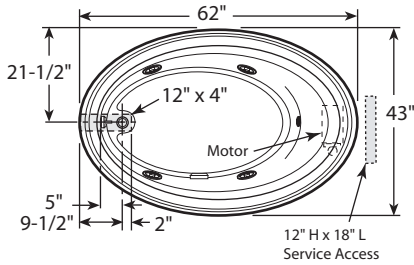
ENGLISH



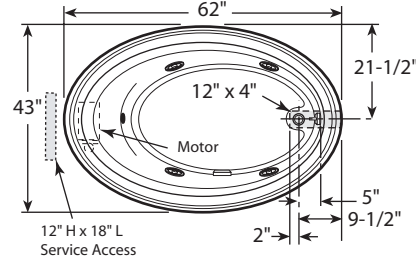
FRESKO™, Left Hand



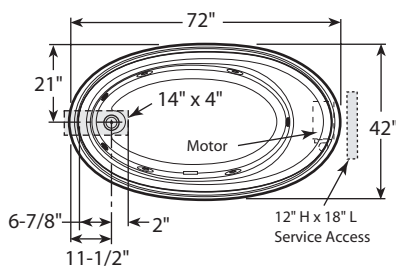
FRESKO™, Right Hand



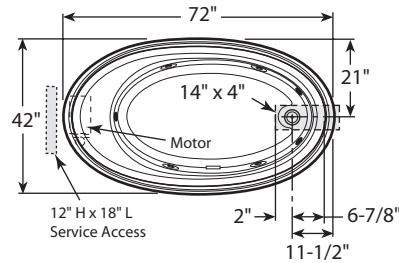
GALLERY™ 5 OVAL, Left Hand



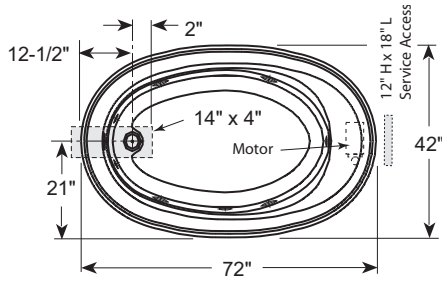
GALLERY™ 5 OVAL, Right Hand



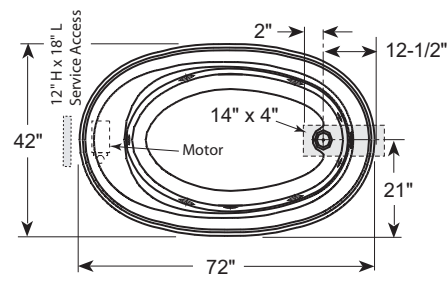
GALLERY™ 6, Left Hand



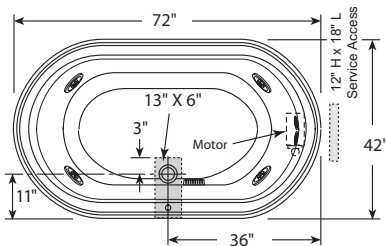
GALLERY™ 6, Right Hand



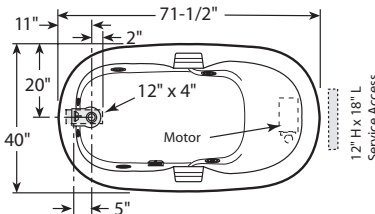
GALLERY 6 UNDERMOUNT, Left Hand



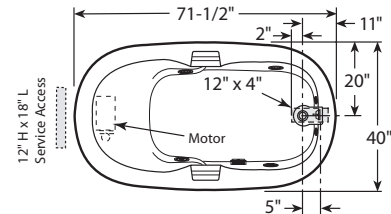
GALLERY 6 UNDERMOUNT, Right Hand



(Right-hand only)
LUNA™



MILANO™, Left Hand



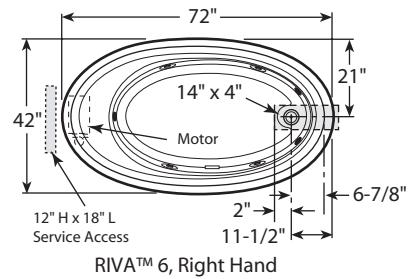
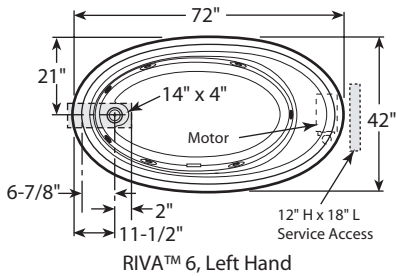
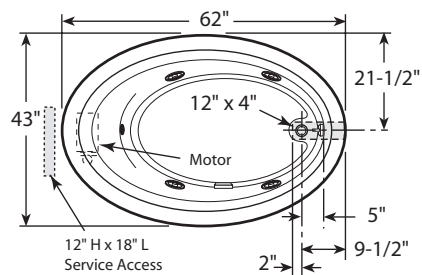
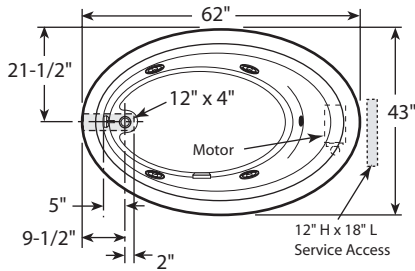
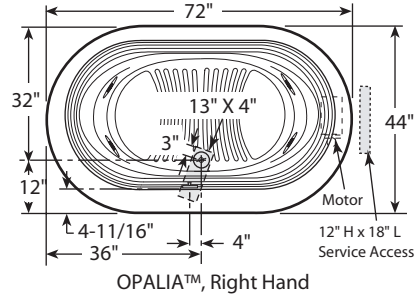
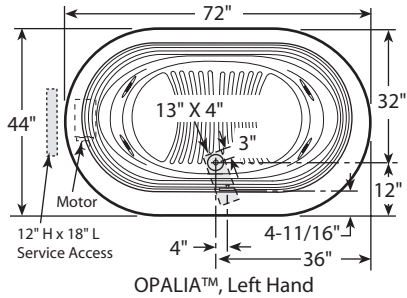
MILANO™, Right Hand

- NOTE: 1. The overall dimensions are nominal with a tolerance of +0 and -1/4" (6,4 mm).
2. Service Access dimensions given are minimum. Service access is still required for units that do not have pre-installed Pump/Motor.
3. Measurements inside each unit represent cutout in floor to allow for drain/overflow.
4. All measurements are in inches. To convert to millimeters, multiply inches by 25.4.
5. Not all export units come with pre-installed Pump/Motor.

ROUGHING-IN

ROUGHING-IN REFERENCE (OVAL)

NOTE: These units have been provided with cutout templates included in shipping carton.
See CUTOUT information for each model on page 8.

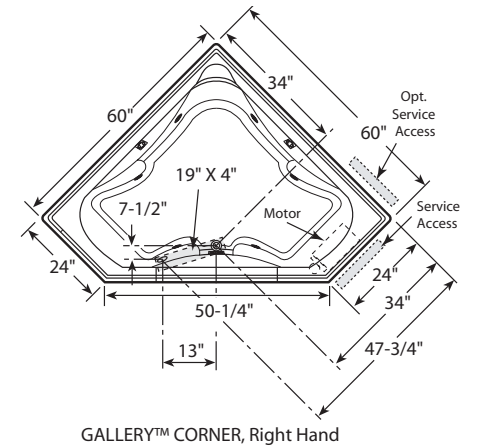
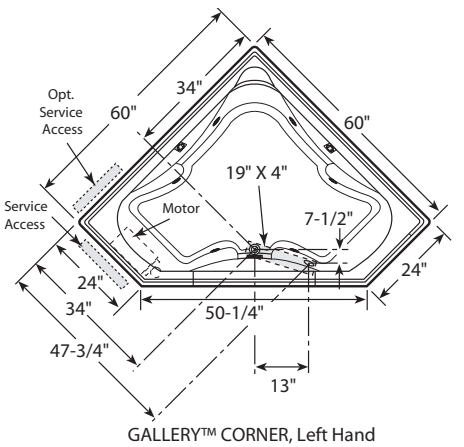
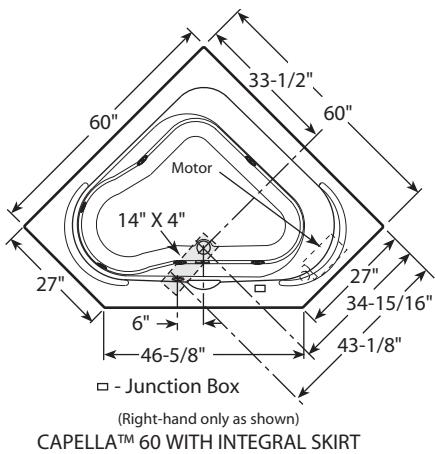
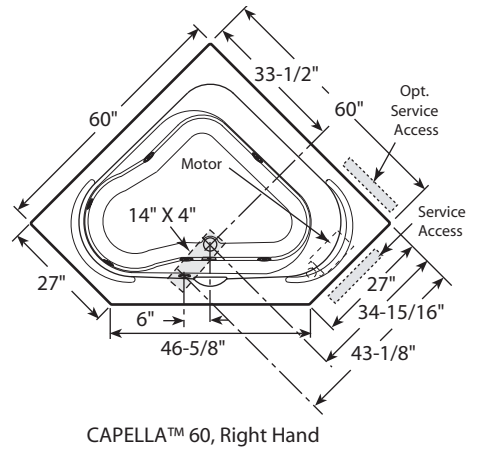
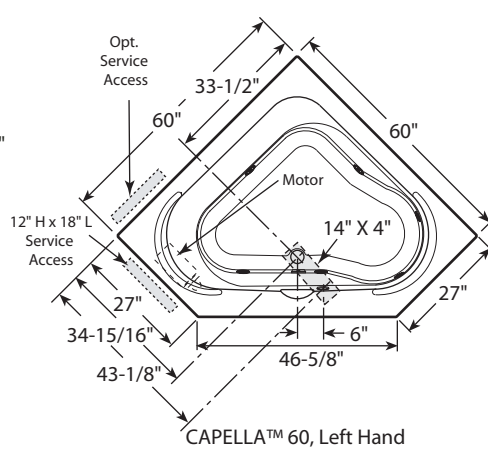
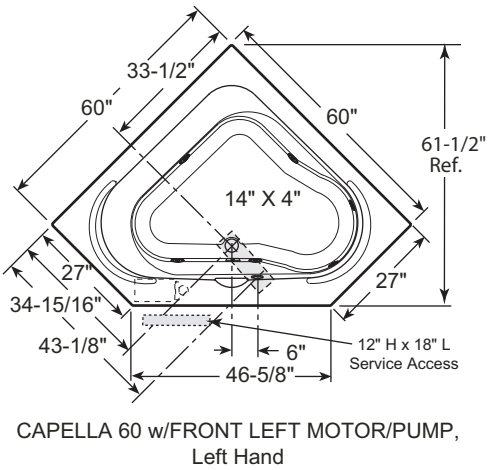
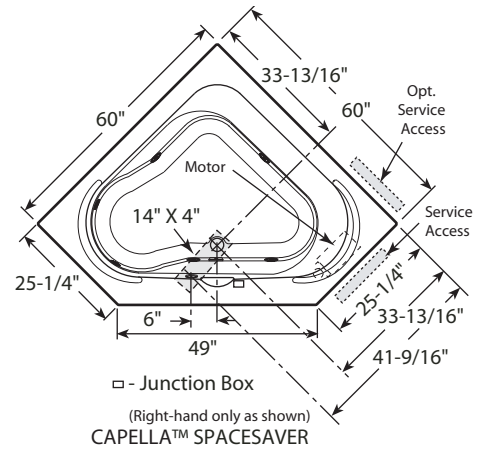
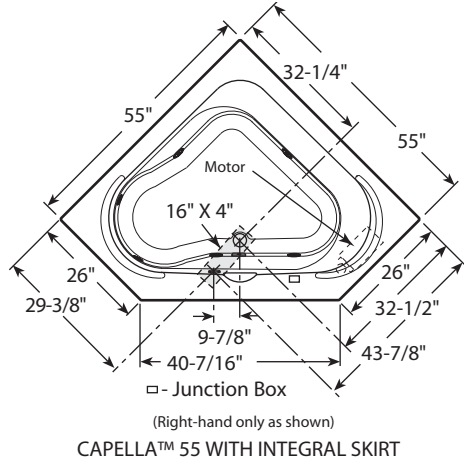
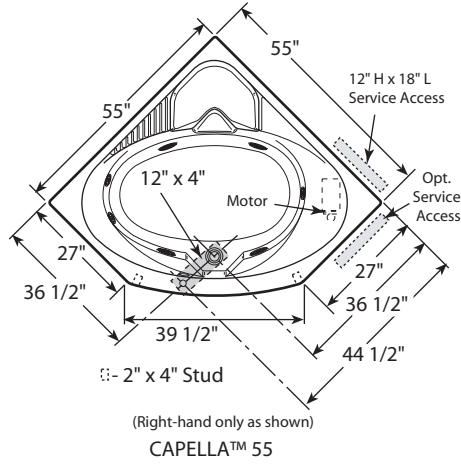


- NOTE: 1. The overall dimensions are nominal with a tolerance of +0 and -1/4" (6,4 mm).
2. Service Access dimensions given are minimum. Service access is still required for units that do not have pre-installed Pump/Motor.
3. Measurements inside each unit represent cutout in floor to allow for drain/overflow.
4. All measurements are in inches. To convert to millimeters, multiply inches by 25.4.
5. Not all export units come with pre-installed Pump/Motor.

ROUGHING-IN

ROUGHING-IN REFERENCE (CORNER)

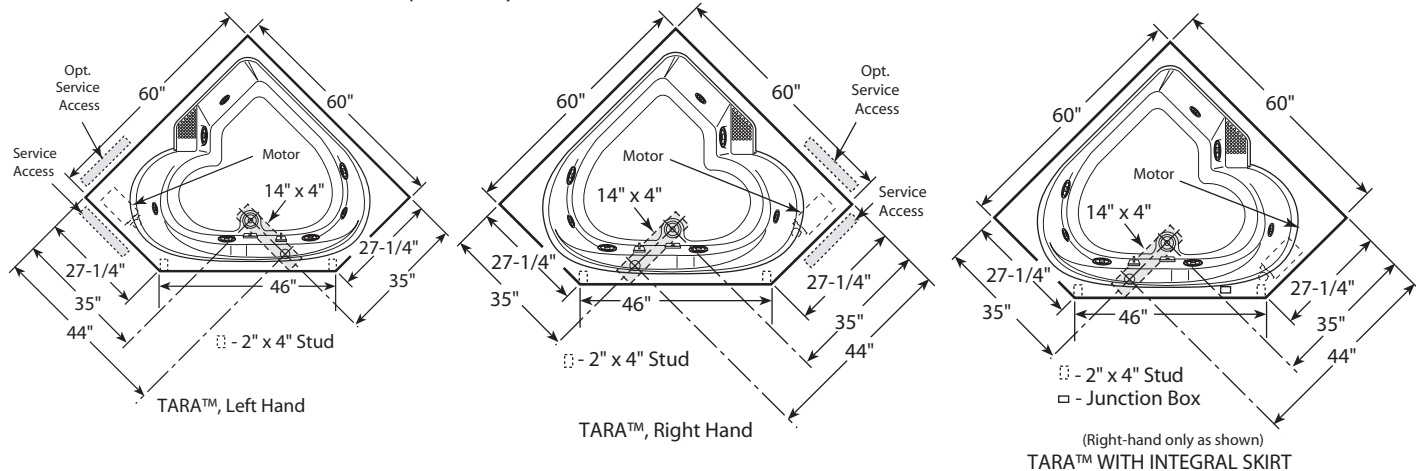
ENGLISH



- NOTE: 1. The overall dimensions are nominal with a tolerance of +0 and -1/4" (6,4 mm).
 2. Service Access dimensions given are minimum. Service access is still required for units that do not have pre-installed Pump/Motor.
 3. Measurements inside each unit represent cutout in floor to allow for drain/overflow.
 4. All measurements are in inches. To convert to millimeters, multiply inches by 25.4.
 5. Not all export units come with pre-installed Pump/Motor.

ROUGHING-IN

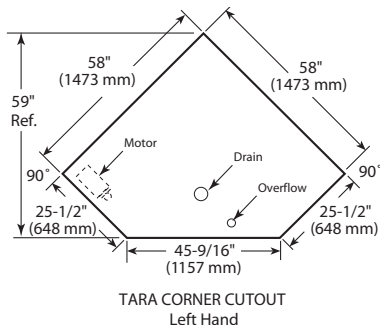
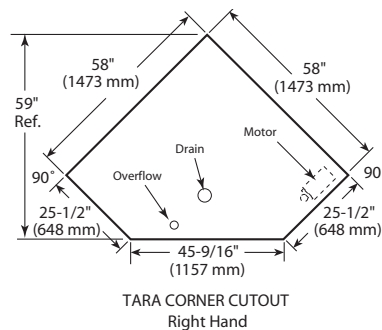
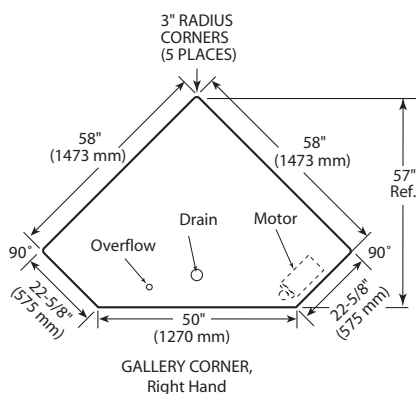
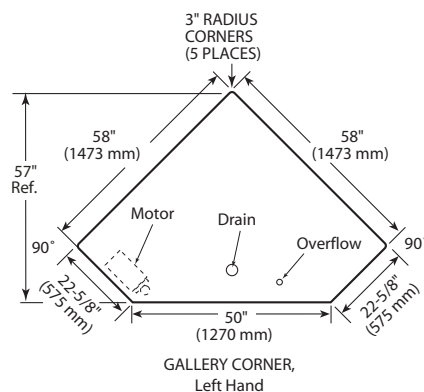
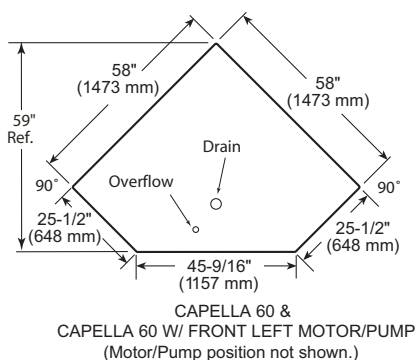
ROUGHING-IN REFERENCE (CORNER)



- NOTE: 1. The overall dimensions are nominal with a tolerance of +0 and -1/4" (6,4 mm).
 2. Service Access dimensions given are minimum. Service access is still required for units that do not have pre-installed Pump/Motor.
 3. Measurements inside each unit represent cutout in floor to allow for drain/overflow.
 4. All measurements are in inches. To convert to millimeters, multiply inches by 25.4.
 5. Not all export units come with pre-installed Pump/Motor.

CUTOUT

CUTOUT- CORNER BATHS



INSTALLATION INSTRUCTIONS

Framing and Support

The drain/overflow of the bath extends below the bottom of the bath. Note that this requires a cutout in the floor.

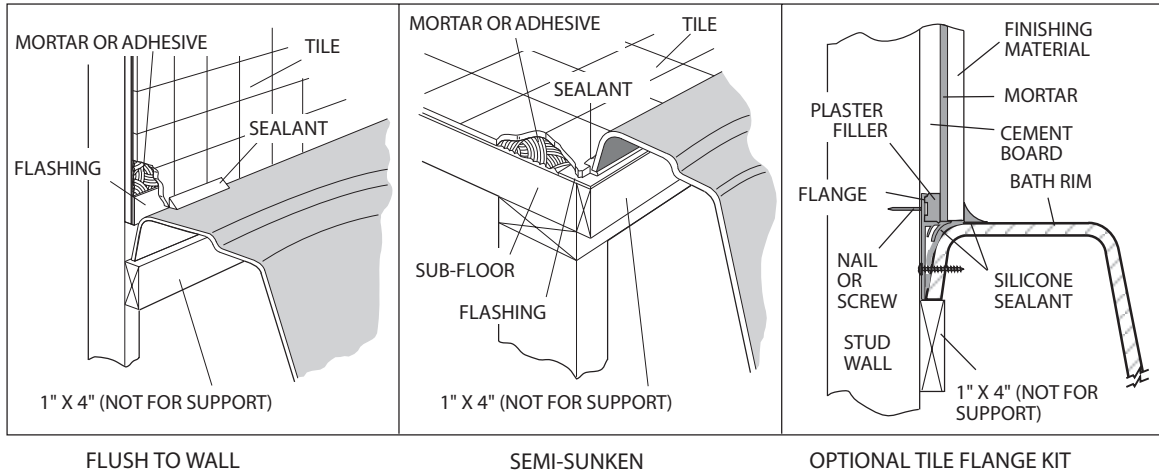
The floor structure beneath the bath must be able to support a total weight of bath, water, and bather. Refer to the table under total weight for your model. The unit must be supported from the bottom of the bath and **not** from the bath rim or tile flange. If the subfloor is level and a continuous surface, no other preparation is necessary. You can proceed to install the bath. If the subfloor is not level, you **MUST** level the entire surface prior to installing the bath. The use of materials that provide a level installation are allowed provided the method used will insure a level bath that is supported from the bottom. Materials that may be used are a floor leveling compound, mortar, plaster or minimal expansion structural foam having a density of a minimum of 5 lbs./cubic ft.; however the bath must remain level in order for it to drain properly and all foam feet must make full contact with the leveling material. Both sides of a joint or splice of subfloor should be level to each other. **When attaching baths with flanges to stud wall, use shims to fill any gaps between the bath flange and studs.**

The rim of the bath is not designed to support weight. If finish material is to overlap or contact the bath, the added weight must be fully self-supporting.

The protective film liner inside the bath is used to prevent damage to the finish during installation. Before installation, remove liner to inspect for any defects, reapply and do not remove until final cleanup.

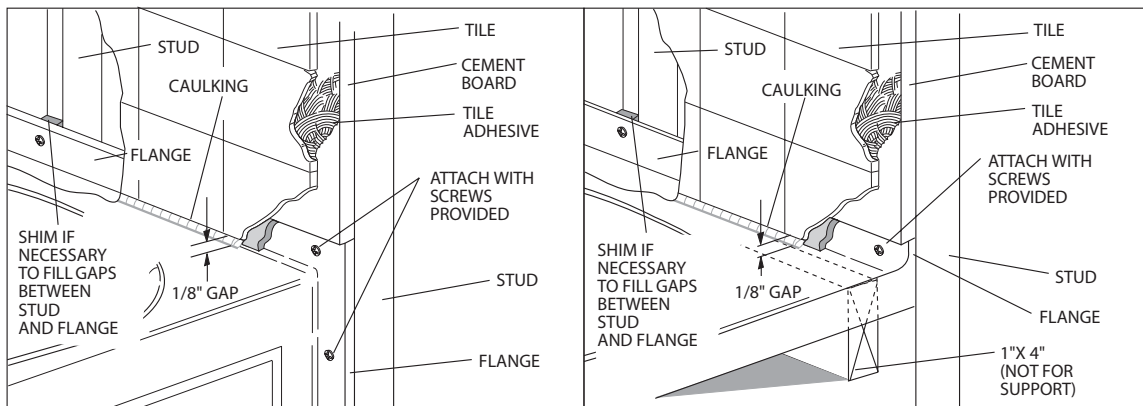
Important: If a skirt is to be used, it must be installed at the time of unit installation – refer to skirt installation instructions. Install optional trim parts when all installation has been completed.

TYPICAL INSTALLATIONS



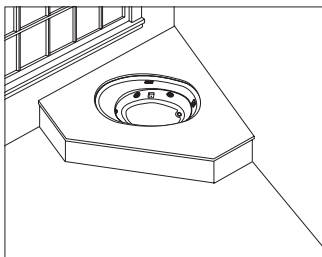
NOTE: ON the Riva 5 and Riva 6, the discharge plumbing extends slightly beyond the bath rim. When installing either bath as semi-sunken, lower the pump/motor side in first into the cutout.

TYPICAL FLANGE MOUNTING DETAIL

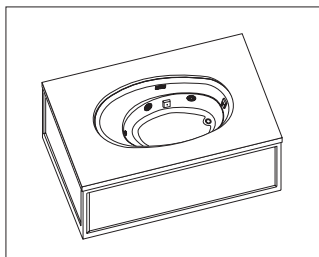


UNDERMOUNT INSTALLATION OPTIONS

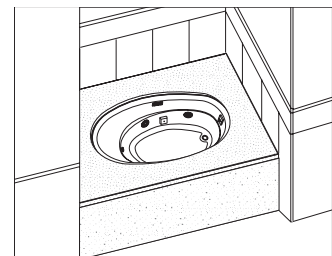
The undermount gives the opportunity to be flexible in the design and location of the bath. Examples are shown for possible installations. Refer to pages 23-24 for undermount installation instructions.



CORNER



FREE STANDING

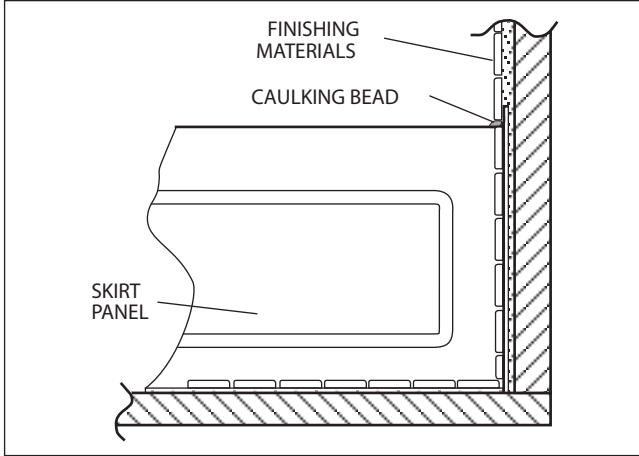


NICHE

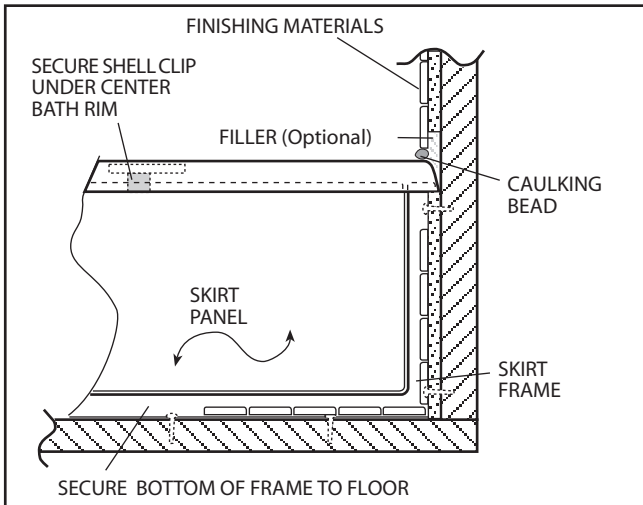
INSTALLATION INSTRUCTIONS

Skirts

INTEGRAL SKIRT MOUNTING DETAIL



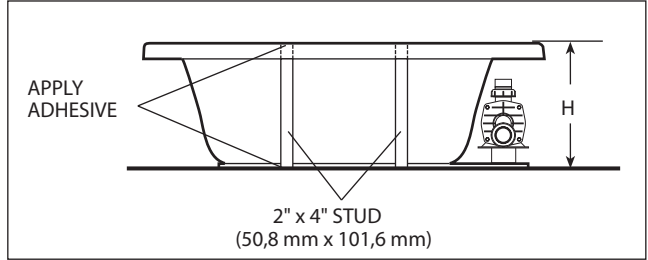
U FRAME SKIRT MOUNTING DETAIL



Corner Baths with Skirt

If an optional skirt is used on a corner bath, additional support is necessary in the front of the unit. Measure the height from the floor to the underside of the bath rim. Cut two 2" x 4" studs, apply adhesive to both ends and install (See specifications in ROUGHING-IN REFERENCE (CORNER)).

SUPPORT FOR CORNER BATHS

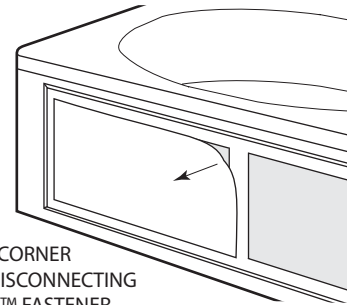


Removable Skirt Panel

Removal and Installation

To remove panel, grab a top corner of access panel and pull outward to release the first Dual Lock fastener. Then work around the perimeter pulling access panel outward to release the remaining dual Lock fasteners.

To reinstall, align access panel such that the Dual Lock fasteners on the access panel match to the Dual Lock fasteners on the tub skirt. Engage each Dual Lock pair until all are snapped into place.



PEEL BACK CORNER
TO BEGIN DISCONNECTING
DUAL LOCK™ FASTENER

INSTALLATION INSTRUCTIONS

Service Access

For partially or fully sunken installations, allow for access to service connections. It is the installer's responsibility to provide sufficient service access. The recommended minimum dimensions for service to the bath are shown in the "Service Access" illustration and on the ROUGH-IN drawing for that tub.

Provide adequate area around unit for air circulation for cooling the motor and to supply sufficient air to the jets. Do not insulate this area or around motor.

Optional RapidHeat™ Service Access

Where tubs have been ordered with the optional RapidHeat™ heater consider an additional service access.

If service access has not been provided, it is the home owners responsibility to remove the bath and provide the required access, should a repair become necessary.

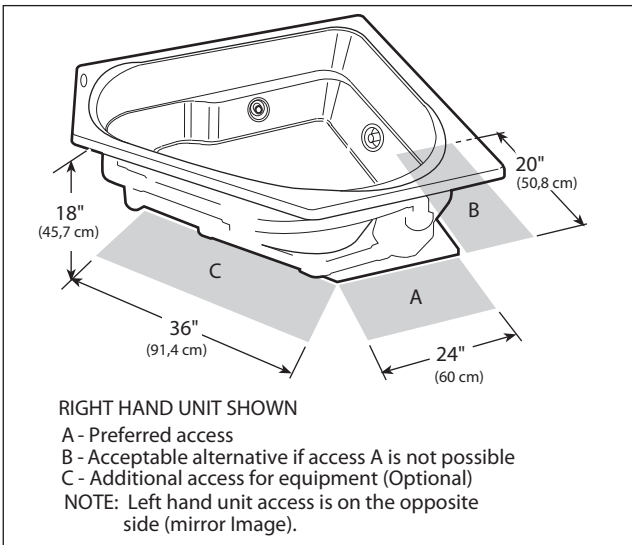
Service Access with Skirt

An optional skirt fits along the side of the bath for above-floor installations and is also an access panel for servicing. Allow a space of at least 8 inches away from the bath for skirt removal.

The skirt is designed to accommodate the added height of the tile, linoleum, or other floor coverings up to 1-1/4" (31,75 mm) above the floor, and will be flush with the floor when installed.

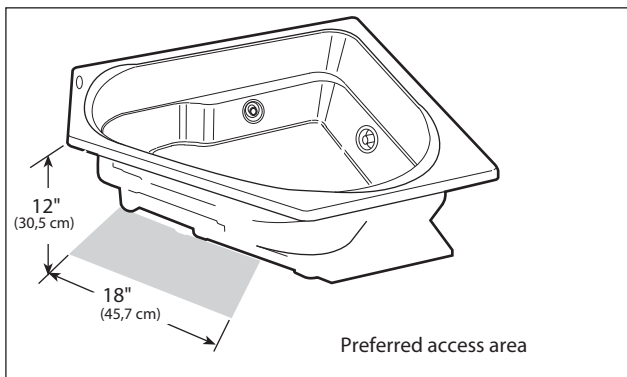
More detailed instructions on skirt installation are provided with the optional skirt assembly.

SERVICE ACCESS (CORNER BATHS)



SERVICE ACCESS

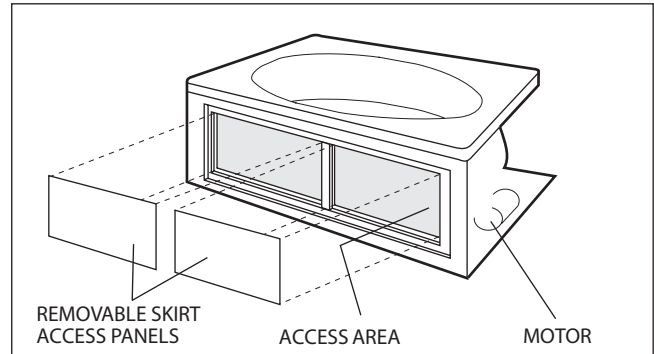
(BG55, CAPELLA 60 FRONT LEFT MOTOR CORNER BATH ONLY)



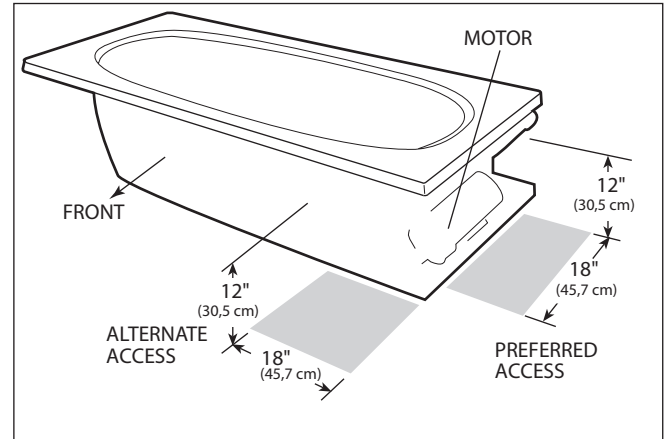
Service Access with Integral Skirt

Service access is through the removable skirt panels.

SERVICE ACCESS (WITH INTEGRAL SKIRT)

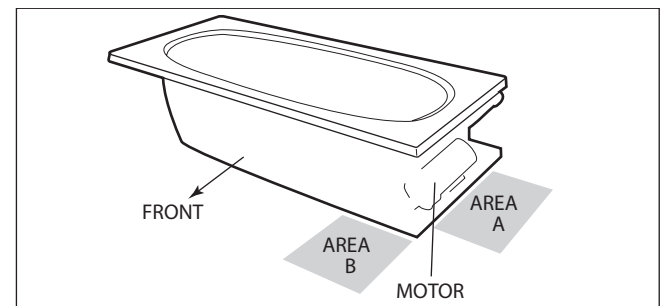


SERVICE ACCESS (WITHOUT SKIRT)



In some cases, access may not have been provided because of the design of the bath environment and having full understanding that in this case, it may be necessary to remove the unit for service.

If this is the case, diagnosing a problem may not be possible without complete access to the plumbing system. This would necessitate the removal of the unit. Although this practice is not commonly implemented, it is an acceptable method.



In some cases access may have been provided in Area A but service is required in Area B which requires the unit to be pulled for service and reinstalled.

If service access has not been provided, it is the homeowner's responsibility to remove the bath and provide the required access, should a repair become necessary.

INSTALLATION INSTRUCTIONS

Electrical Connections

A separate circuit, which must be protected by a Ground Fault Circuit Interrupter (GFCI), is required. Install a duplex outlet to the studwall underneath the bathtub, at least 4" (10,6 cm) above the floor. The duplex outlet is not provided. Because these units are manufactured with a safe, convenient electronic control whirlpool ON/OFF switch on the bath itself, no remote switch or timer is necessary.

DANGER: RISK OF ELECTRIC SHOCK. Connect only to a circuit protected by a Ground Fault Circuit Interrupter (GFCI).

CAUTION: Operating the motor/pump without enough water in the bath can cause leaking and permanent damage to the pump. Before power is applied to the installation, make sure the switch is in the OFF position to avoid pump damage.

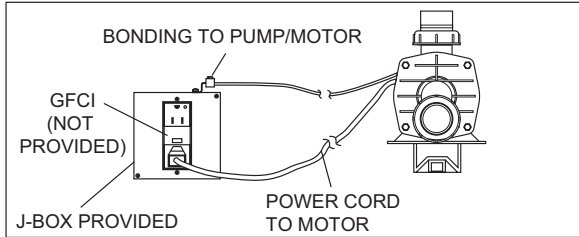
NOTE: Export units may or may not come with motor/pump or may come with motor specifications different than what is specified here. In every case consult with a licensed contractor and electrician before installing power supply or connecting unit.

Jacuzzi Whirlpool Bath makes no claims to the electrical compatibility or suitability of domestic or export units and is not responsible for any defects or failures that could have been discovered, repaired, or avoided by following the applicable building and local electrical codes.

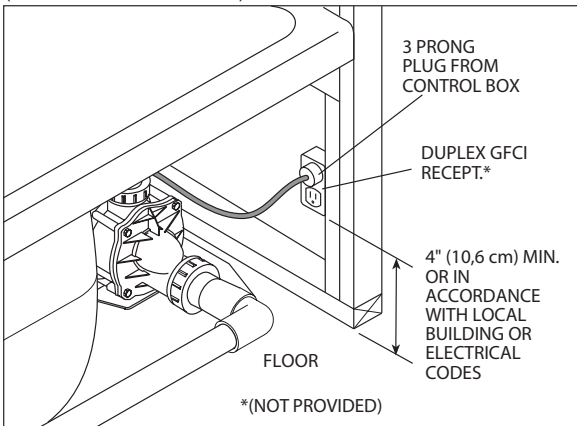
On the Capella 55 with integral skirt, Capella 60 with integral skirt, Capella Spacesaver with integral skirt and Tara with integral skirt a duplex junction box has been provided. To access, remove skirt access panel. See top views in ROUGH-IN section for location.

A separate GFCI protected outlet (not provided) is required for pump/motor and is to be installed in the junction box. The junction box is to be hard wired. The motor is bonded to the junction box at the factory.

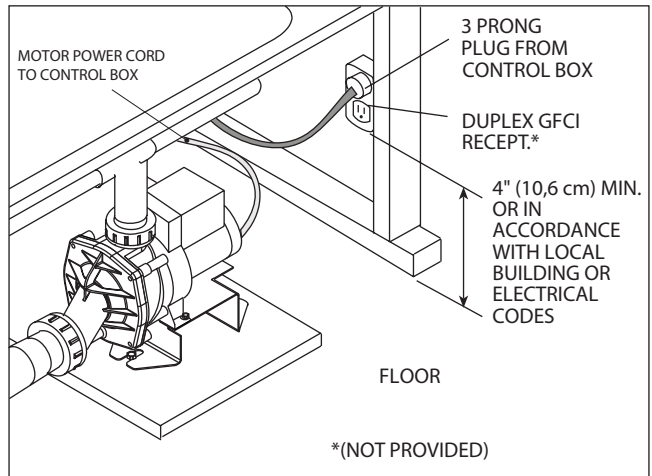
CAPELLA 55 with skirt, CAPELLA 60 with skirt, CAPELLA SPACESAVER with skirt, & TARA with skirt - JUNCTION BOX



ELECTRICAL CONNECTION (FOR SIDE/END DRAIN BATHS)



ELECTRICAL CONNECTION (FOR CORNER BATHS)



Optional RapidHeat™ Electrical Connection

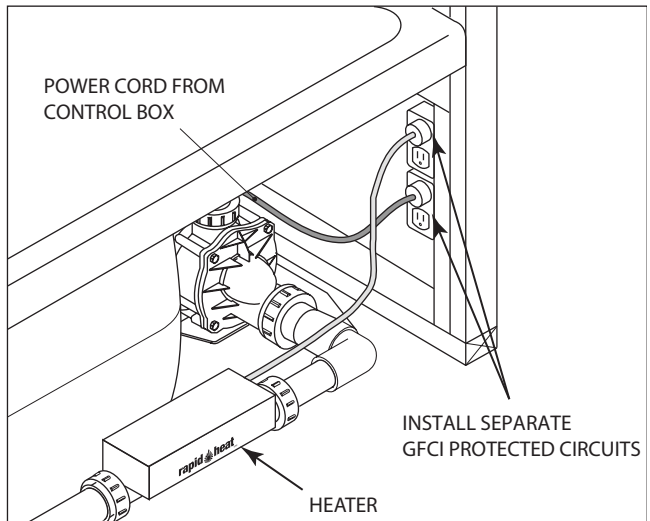
NOTE: Export units may or may not come with pre-installed motor/pump or may come with motor specifications different than what is specified here. In every case consult with a licensed contractor and electrician before installing power supply or connecting unit.

Before installing electrical connection, inspect the heater nameplate and determine if you have a 120 VAC or a 240 VAC whirlpool unit (240 VAC unit not available in U.S.A.).

Install a separate 120 VAC 15 AMP or 240 VAC 15 AMP dedicated circuit with GFCI protection. With a #8 solid copper wire, bond the heater to the house electrical panel or approved local bond. A bonding lug is provided on the heater.

At initial start-up and before each use thereafter with power ON, push the GFCI test button. The reset button should pop out. Push this button in to reset. If the interrupter fails to operate in this manner, there is a ground current flowing or a device malfunction, indicating the possibility of electrical shock. **Turn OFF power and do not use the bath until the source of the problem has been identified and corrected.**

ELECTRICAL CONNECTION RAPIDHEAT™



INSTALLATION INSTRUCTIONS

Plumbing and Water Supply

ENGLISH

Drain Information

A drain/overflow assembly (sold separately) must be installed on the bath, water tested, and connected to the sanitary system of the house. After opening the carton, inspect for damage and verify that the kit is of the proper finish. In the Jacuzzi Whirlpool Bath drain/overflow kit, note that the waste flange, strainer, overflow cover and cover screws are packaged in a separate package within the kit to protect the trim finish. Follow the installation instructions provided with your drain/overflow kit. After the drain is fully installed, test for proper drainage. If the unit does not drain properly, rectify this condition before proceeding with the installation. Jacuzzi Whirlpool Bath is not responsible for removal and or reinstallation costs.

NOTE: Watertight installation of the drain is the installer's responsibility. Drain leakage is excluded from the Jacuzzi Whirlpool Bath warranty of this product.

Plumbing


Pump, jets, and suction fittings for the whirlpool system are factory plumbed in Schedule 40 PVC piping.

All Jacuzzi Whirlpool Bath products are factory tested for proper operation and watertight connections prior to shipping. If leaks are detected, notify Jacuzzi Whirlpool Bath. Do not install the unit.

Water Supply

Consult local authorities for plumbing code requirements in your area.

IMPORTANT: Proper installation of the fill spout plumbing and compliance with local codes are the responsibility of the installer. Jacuzzi Whirlpool Bath does not warrant connections of water supply fittings and piping, fill systems, or drain/overflow systems. Nor is it responsible for damage to the bath which occurs during installation.

 **CAUTION: A nonflammable protective barrier must be placed between soldering work and bath unit to prevent damage to the bath.**

Clean-Up After Installation

To avoid dulling and scratching the surface of the bath, never use abrasive cleaners. A mild liquid detergent and warm water will clean soiled surfaces.

Remove spilled plaster with a wood or plastic edge. Metal tools will scratch the surface. Spots left by plaster or grout can be removed if lightly rubbed with detergent on a damp cloth or sponge.

Paint, tar, or other difficult surface stains can be removed with paint thinner, turpentine, or isopropyl alcohol (rubbing alcohol).

NOTE: Use these chemicals only on SURFACE stains.

Minor scratches which do not penetrate the color finish can be removed by lightly sanding with 600-grit wet/dry sandpaper. You can restore the glossy finish to the acrylic surface of the bath with a special compound, Meguiar's #10 Mirror Glaze. If that is not available, use automotive rubbing compound followed by an application of automotive paste wax.

Major scratches and gouges which penetrate the acrylic surface will require refinishing. Ask your Jacuzzi Whirlpool Bath dealer for special instructions or visit our web site at <http://www.jacuzzi.com/>. To find service agent listings for:

Electrical or Mechanical Repairs visit <http://jacuzzi.com/pdf/ASA.PDF>

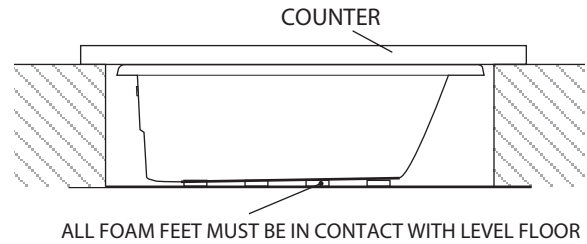
Finish, Surface, or Shell-Related Repairs visit <http://jacuzzi.com/pdf/AFC.PDF>

Repair Parts or Accessories visit <http://jacuzzi.com/pdf/MPD.PDF>

UNDERMOUNT INSTALLATION INSTRUCTIONS

Installation

A typical installation will have these construction characteristics.



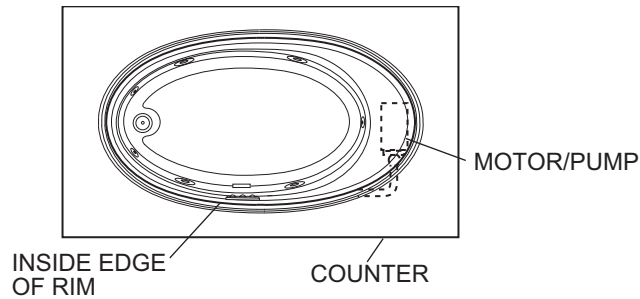
ENGLISH

Unit Protection

If protective film has been removed, reapply film. For added protection, place a drop cloth or other material in the bottom of bath for protection. Be careful not to scratch the bath surface.

Counter Preparation

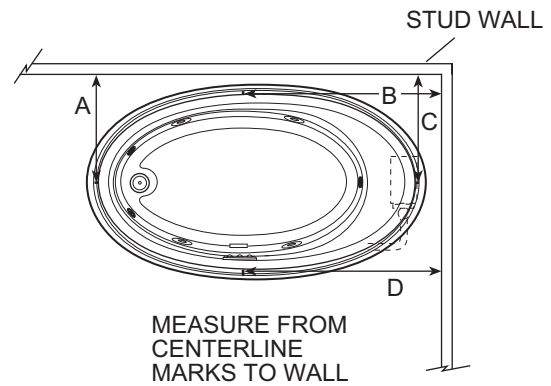
NOTE: On pump/motor side of bath, the counter should extend a minimum of 4" (10,2 cm) past the outer edge of bath, in order to clear the pump/motor plumbing extending beyond the rim of the bath.



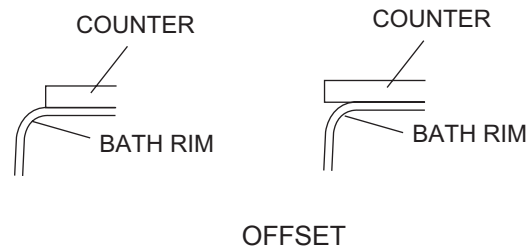
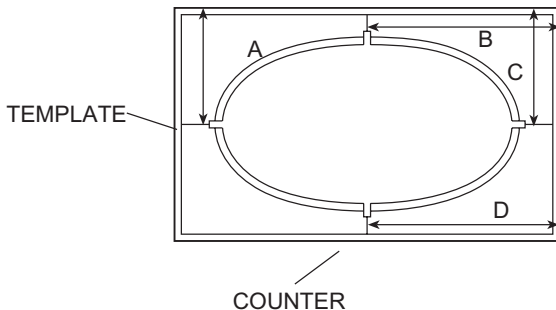
Position the template so that the cutout oval aligns with the rim edge.



In this position, using a grease pencil, mark on the bath the center line positions through the cut out slots. Remove template. Measure from marked center lines to a fixed point such as a wall.



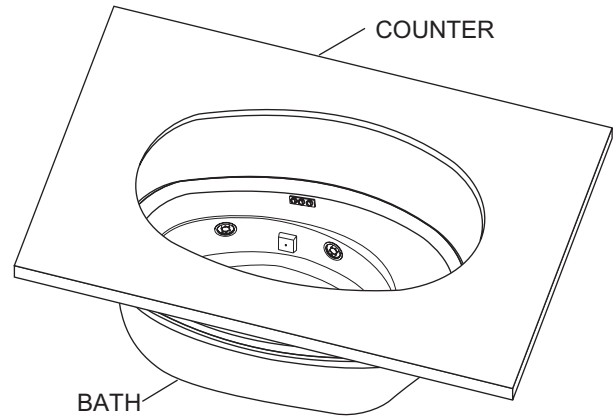
Transfer these measurements to counter and mark center lines positions. Position template and cut counter for the desired offset.



After cutting is complete, perform any needed routing, edge work or polishing to the counter.

UNDERMOUNT INSTALLATION INSTRUCTIONS

Position the counter on top of the bath to ensure correct fit and appearance. Make any adjustments that may be necessary. Remove the counter.



Adhering Counter to Bath

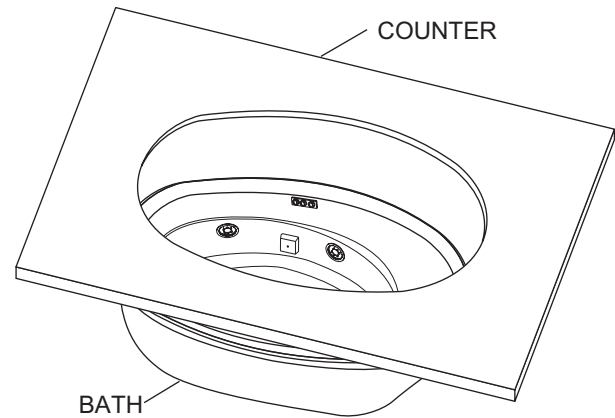
Clean any dirt or debris from the bath rim. Do not use abrasive cleaners.

Where the counter will make contact with top of the bath rim, apply a bead of silicone sealant.

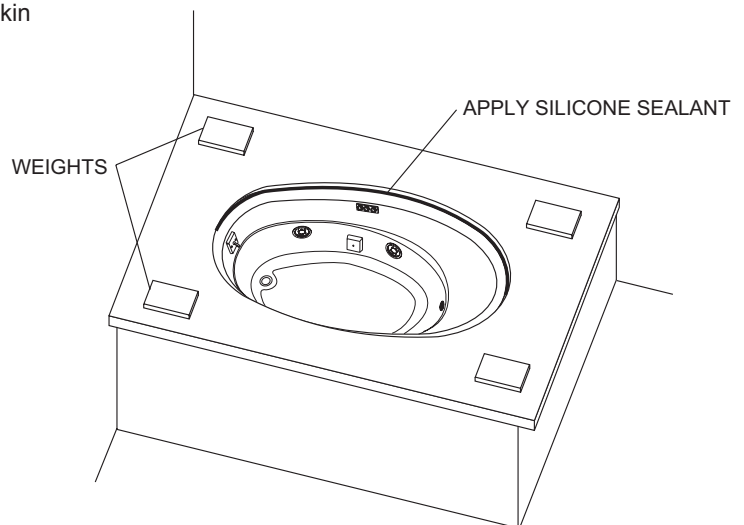
CAUTION: Do not use an adhesive or adhesive sealant to secure the counter to the bath rim. If maintenance or remodelling is required the counter may have to be removed. Adhesive will permanently bond the counter to the bath. This will make removal difficult and costly and may cause damage to the counter or bath.



Carefully position the counter onto the bath rim. The counter will need to be held in place while the sealant cures. Follow the manufacturer's instructions to determine time required for curing.



Apply a continuous bead of silicone sealant around the entire seam between the counter and bath rim. Allow sealant to skin over or cure before cleaning the counter or bath.



OPERATING INSTRUCTIONS

Operation

NOTE: These instructions pertain to all Builder/Comfort bath products manufactured by Jacuzzi Whirlpool Bath. Not all features discussed in this instruction booklet apply to all baths.

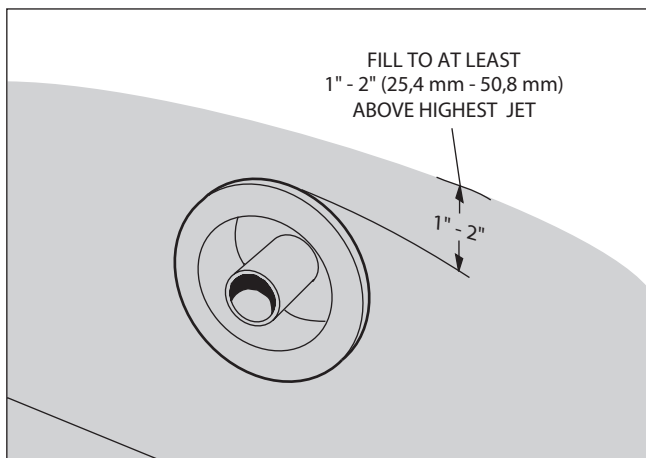
All baths manufactured by Jacuzzi Whirlpool Bath are designed for "fill and drain," which means the bath should be drained after each use and filled with fresh water by the next bather. This is a health precaution, as these baths are not designed to hold water continuously like pools or spas. If you want a unit designed to continuously hold water, see your Jacuzzi Whirlpool Bath dealer for the complete line of whirlpool spas available.

Once the bath is installed, remove any residue or foreign materials left over from construction. Paint, tar, or other difficult surface stains can be removed with paint thinner, turpentine, or isopropyl alcohol (rubbing alcohol). **NOTE:** Use these chemicals only on SURFACE stains. Other dirt can be cleaned off with a mild liquid detergent on a damp cloth. Scrape off plaster with a wooden or plastic edge; **do not use metal scrapers, wire brushes or other metal tools, as they will damage the bath's surface.**

Water Level

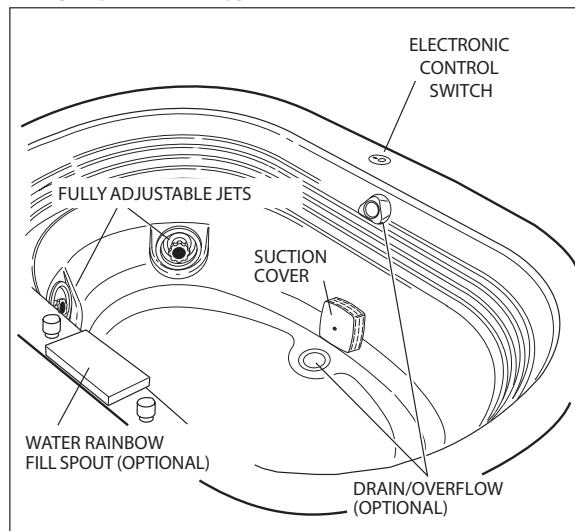
Close the drain and fill the bath until water is at least 1" to 2" (25,4 mm - 50,8 mm) above the highest jet (see water line indicated in the illustration). **Do not turn on the whirlpool system at any time if the jets are not completely immersed in water. Do not immerse the control panel by overflowing the bath.** Running the whirlpool system when there is insufficient water in the bath could result in water spraying outside the bath area. Running the whirlpool system without water will damage the recirculating pump.

IMPORTANT: When exiting the bath, the water level will drop below the jets which could result in water being sprayed out of the unit. To prevent this, **you must turn unit off before exiting bath.**



Jacuzzi builder/comfort units come equipped with electronic controls. Refer to the Electronic Controls instructions on the next page.

TYPICAL BATH FITTINGS



(Optional) RapidHeat™ Operation

Once the heater is installed and the whirlpool pump is operating, the heating function is totally automatic. The heater will help maintain the temperature of the water in the bath.

Vacuum or Pressure Switch

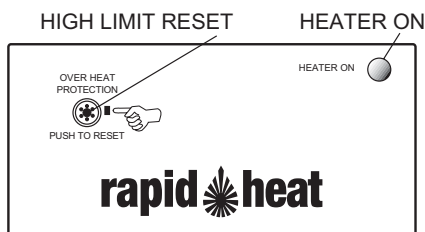
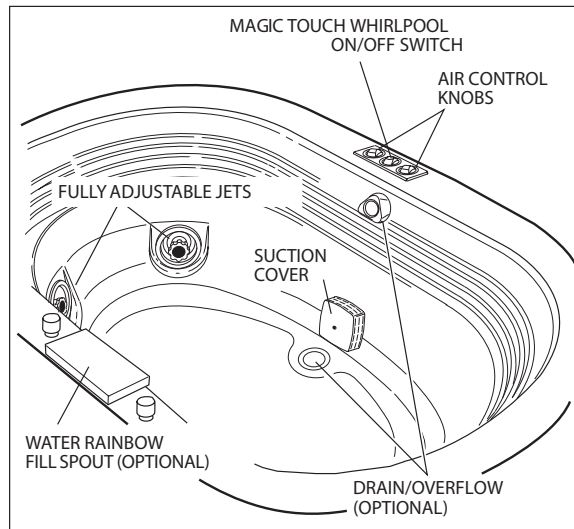
The heater is equipped with a preset vacuum switch or pressure switch which will not allow the heater to turn ON if the pump is not running with water flowing through the whirlpool system.

High-Limit Switch

The heater includes an exclusive High-Limit switch. This safety circuit will not false trip from hot tap water. It will only turn off the heater if the thermostat fails. To reset, press the button. If the high-limit trips frequently, contact your Authorized Electrical/Mechanical Service Provider. Visit our web site at <http://www.jacuzzi.com/> to find a Service Provider.

Export units come equipped with the Magic Touch® Whirlpool ON/OFF switch. Refer to the Magic Touch® Whirlpool Switch instructions on the next page.

TYPICAL BATH FITTINGS



OPERATING INSTRUCTIONS

Electronic Control Switch

The Electronic Control ON/OFF Switch, conveniently located on the bath, allows you to turn the whirlpool system ON and OFF while in the bath. Simply push down on the switch button to turn ON the whirlpool system. To turn the system OFF, push down on the button again.

The Electronic Control Switch will automatically shut OFF after 20 minutes. Push down on the switch button to restart the whirlpool system again.



Magic Touch® Whirlpool Switch

The Magic Touch Whirlpool ON/OFF switch, conveniently located on the bath, allows you to turn the whirlpool system ON and OFF while in the bath. Simply push down on the switch button to turn on the whirlpool system. To turn the system OFF, push down on the button again.

WHIRLPOOL ON/OFF SWITCH



Controlling Whirlpool Action

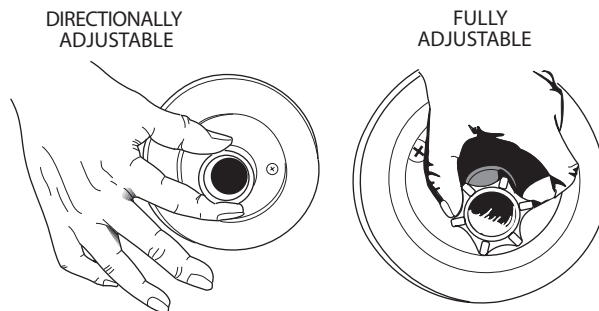
The whirlpool action in your bath is influenced by three factors – direction of flow, force of water, and force of air. Every bath manufactured by Jacuzzi Whirlpool Bath that is equipped with fully adjustable PowerPro® jets, are manually adjustable for direction and water force. Some baths have additional jets which can be adjusted for direction only.

Direction: To change the direction of the water flow, swivel the jet nozzle to the desired angle. The jets can be directed individually toward any location on your body to provide a hydromassage. The jets can also be adjusted so that they all point in the same direction (clockwise or counterclockwise) to circulate the water in a circular motion around the bath, causing a total whirlpool effect.

Water Force: The high volume, fully adjustable jets can be adjusted to control the force of the water coming into the bath. For robust action, increase the force of the flow by rotating the jet handles to the left (counterclockwise). For a more gentle effect, rotate the handles to the right (clockwise). **Never run the whirlpool system with all the jets closed.**

Force of Air: The intensity of the hydromassage whirlpool action is determined by the air inducted into the water. On the Magic Touch® control system only: Fully opening the jets allows an equal amount of air inducted into the water. Decrease the air flow at one or more jets to increase the air flow for remaining jets. **Never run the whirlpool system with all the jets closed.**

JETS

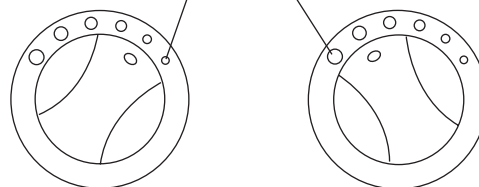


Magic Touch® controls only

AIR INDUCTION CONTROLS

TURN CLOCKWISE TO
REDUCE AIR FLOW

TURN COUNTER-CLOCKWISE
TO INCREASE AIR FLOW



MAINTENANCE INSTRUCTIONS

Cleaning the Bath

To clean your bath, simply use a mild, nonabrasive liquid detergent solution. You can protect and restore the gloss to a dulled acrylic surface by applying an acrylic polish or automotive paste wax.

Never use abrasive household cleaners on any Jacuzzi Whirlpool Bath product.

Repairs to the Surface

Major scratches and gouges which penetrate the acrylic surface will require refinishing. Contact your Jacuzzi Whirlpool Bath dealer for special instructions.

Purging the Whirlpool System

NOTE: THE WHIRLPOOL SYSTEM SHOULD BE PURGED AT LEAST TWICE A MONTH

To remove accumulations of bath residue from the whirlpool system, it is recommended that a whirlpool bath be purged at least twice a month. For best results, however, we recommend that you purge your whirlpool bath after each use using, Systems Clean™, our exclusive two-part plumbing system cleaner made specifically for whirlpool baths.

Systems Clean™ is available through an authorized Jacuzzi Whirlpool Bath Distributor or by calling us direct at 1-800-288-4002.

Systems Clean™ Instructions for use:

CAUTION: DO NOT USE WHILE BATHING! USE EXTREME CAUTION WHEN HANDLING THIS PRODUCT!

Immediately after bathing and exiting the whirlpool bath, leave the bath water in the tub and add more hot water. The water level in the tub must be at least 2" (50,8 mm) above the highest jet. **NOTE:** Inducted air from the hydromassage system will cause the Systems Clean™ contents to foam and increase odor. If your tub has air controls, turn OFF the whirlpool air control or turn it to the lowest setting and pour in the entire contents of **PACKET #1 ONLY** directly into the bath water. For best results, pour the System Clean into the tub near the intake for the circulation pump and be sure to avoid contact with your skin. Allow the whirlpool to run for 30 seconds and then add **PACKET #2 ONLY**. **It is important to use PACKET #1 before PACKET #2 to avoid a strong odor.** Allow the bath to run for 5 to 10 minutes then drain the tub completely. Refill the tub with cold water and run for 2 to 3 minutes. Drain completely and rinse off any residue.

DANGER: Harmful if swallowed. Eye irritant. Protect your eyes, skin and mucus membranes from contact with this product or its concentrated solution. A strong alkaline product can cause severe burns to the eyes and skin.

If you have followed the standard purging instructions above and still have an excess accumulation of bath residue and desire an alternative cleaning mechanism, we recommend **SUPER SYSTEMS CLEAN™ PLUS** manufactured by Stearns Packaging to rectify this condition. This may be obtained by contacting us at 1-800-288-4002. It is recommended that you follow the instructions provided by the manufacturer with the product. Repeated use may be necessary. **SUPER SYSTEMS CLEAN™ PLUS** does not replace the necessity to regularly purge your whirlpool system with Systems Clean™ as recommended.

Bath Additives

NOTE: DO NOT USE OIL OR OIL BASED BATH ADDITIVES.

If you want to use any kind of bath additive, use only a small amount of low-foaming powder or crystal substance; the whirlpool action intensifies the foaming properties of soaps.

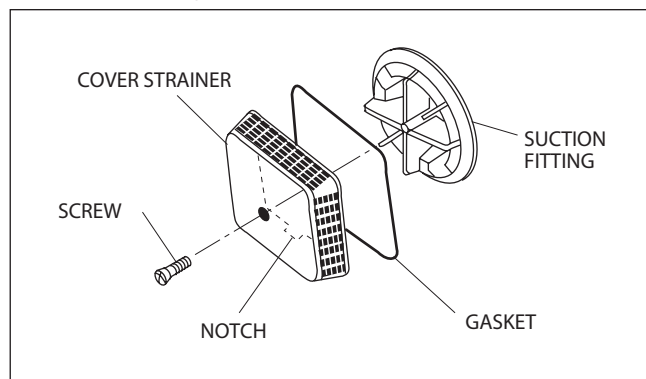
The use of certain bath oils, bubble baths and bath additives may increase the level of accumulations of bath residue in the whirlpool system. If excess accumulations persist, you should discontinue use of these products.

Suction Cover/Strainer Maintenance

Clean the suction cover/strainer of hair and debris when necessary. To do this, remove the center screw and detach the square cover. Clean the cover by backflushing debris from the holes. Replace the suction cover immediately after cleaning. When reinstalling, orient the cover/strainer with the small notch at the bottom. The gasket must be inserted into the groove of the cover/strainer before reinstalling onto the suction fitting.

CAUTION: Keep body and hair a minimum of 6 inches (15,2 cm) away from the suction fitting at all times when the hydromassage system is operating. Hair longer than shoulder length should be secured close to the head, or a bathing cap should be worn. Do not operate the hydromassage system with the suction cover removed! The suction cover is a safety device and must always be in place on the suction fitting to minimize the potential hazard of hair and body entrapment.

SUCTION COVER/STRAINER ASSEMBLY



General Whirlpool Bath Troubleshooting Guide

PROBLEM	PROBABLE CAUSES	REMEDY
Pump/Motor does not start.	No power to pump/motor.	Reset GFCI.
	Pump/motor not plugged in.	Insert plug(s) fully into outlet(s). Units with electronic controls: Motor plugs into control box and control box plugs into GFCI receptacle. Units with manual controls: Motor plugs into GFCI receptacle.
	Magic Touch switch - air tube not connected to switch or to air switch on pump/motor.	Reconnect tube to Magic Touch switch or to air switch pump/motor.
	Pump/motor faulty.	Replace pump/motor assembly.
Pump/Motor operates but no fully adjustable jets are functioning.	Jets are closed.	Open jets by rotating counterclockwise.
	Suction cover may be clogged.	With motor turned off, remove safety cover and remove any debris. Replace suction cover before operating.
Pump/Motor operates but air is not injected into water.	Air valves closed.	Open air control valves.
Pump/motor does not shutoff.	Magic Touch switch - air tube not connected to switch or to air switch on pump/motor.	Reconnect tube to Magic Touch switch or to air switch pump/motor.
	Motor power cord not connected to control box.	Reconnect motor power cord to control box.
	If a wall timer is used, the timer is defective	Replace timer.
Water leakage from pump unions.	Overtightened, O-ring may be pinched or improperly seated, under tightened.	Untighten unions check and reseal O-ring. If O-ring has been pinched out of shape, replace (refer to Service Support number below). When tightening union nuts, hand tighten only.
Pump/motor shuts off by itself or with wall timer, before set time elapses.	Motor thermal protection has deactivated pump/motor due to overheating. (Supply voltage low.)	Let motor cool; thermal protection will reset. Check for proper ventilation. (Check supply voltage.)
	GFCI tripped.	Reset GFCI. If it continues to trip do not use this unit. Disconnect the unit and have the problem corrected by a licensed electrician before using.
	Inadequate supply wiring.	Consult a licensed electrician to correct wiring to unit.

NOTE: If unit is within the warranty period, contact Jacuzzi Whirlpool Bath Service Support at 1- (800)- 288-4002 with bath's serial number before work is started. The Serial Number is located on the Specification/Serial Number Plate. See page 30.

**PRODUCT SPECIFICATIONS ARE SUBJECT TO CHANGE WITHOUT NOTICE.
USE INSTALLATION INSTRUCTIONS SUPPLIED WITH PRODUCT.**

Jacuzzi Whirlpool Bath has obtained applicable code (standards) listings generally available on a national basis for products of this type. It is the responsibility of the installer/owner to determine specific local code compliance prior to installation of the product. Jacuzzi Whirlpool Bath makes no representation or warranty regarding, and will not be responsible for any code compliance.

Jacuzzi Luxury Bath
14525 Monte Vista Ave., CA 91710
Service Support: 1-(800) 288-4002

©2005 Jacuzzi Whirlpool Bath K272000AF 7/06



Printed on Recycled Paper

Printed in the U.S.A.

AUTHORIZED SERVICE

If you need a referral for a service company near you, or need assistance with operation or maintenance related questions, please call our Service Support Department at 1-800-288-4002. Visit our web site at <http://www.jacuzzi.com/> for products and services.

To find service agent listings for:

Electrical or Mechanical Repairs visit <http://jacuzzi.com/pdf/ASA.PDF>

Finish, Surface, or Shell-Related Repairs visit <http://jacuzzi.com/pdf/AFC.PDF>

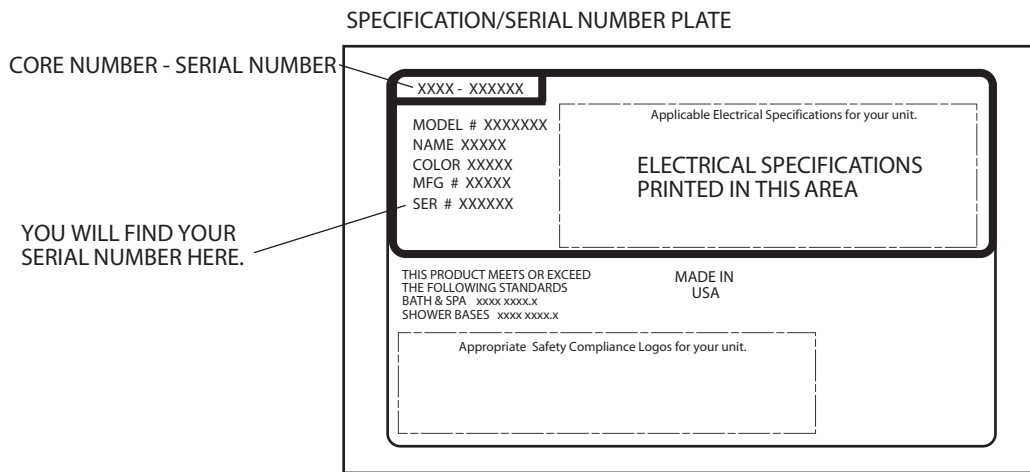
Repair Parts or Accessories visit <http://jacuzzi.com/pdf/MPD.PDF>

When requesting service or technical assistance please have available both the model and serial number of your unit. This information can be obtained from the product registration card provided with your unit. If the card has been misplaced, this information can be obtained from the specification/serial number label on the unit itself (for location of specification/serial number label see below).

BATH PRODUCTS

Whirlpool baths: The label is located on the wall of the bath near the pump/motor.

Non-jetted baths: The label is located next to the overflow.



Jacuzzi Whirlpool Bath Limited Warranty Builder/Comfort Group Bath Product

WARRANTY COVERAGE

Jacuzzi Whirlpool Bath (the "Company") offers the following express limited warranty to the original purchaser of any Jacuzzi Whirlpool Bath Builder/Comfort Group Bath Product ("unit") who purchases the product for personal or single family use ("user"). The Company will repair or replace, at its sole option, the unit or its equipment in accordance with the following terms and conditions.

TWO YEAR LIMITED WARRANTY ON BATHS

Our limited warranty on Builder/Comfort Group Bath products is for two (2) years. Our warranty covers the unit and factory-installed components (e.g., pump, motor) against defects in material or workmanship. Warranty coverage begins on the date the unit was originally purchased by the user.

FIVE YEAR (PARTS ONLY) LIMITED WARRANTY ON PUMP AND MOTOR

Our limited warranty on the pump and motor is for five (5) years for parts only. Warranty coverage begins on the date the unit was originally purchased by the user.

NINETY DAY (PARTS ONLY) LIMITED WARRANTY ON OPTIONS AND ACCESSORIES

Our limited warranty on options and accessories manufactured by the Company is for ninety (90) days for parts only. Our warranty covers options and accessories manufactured by the Company (e.g., fill spout kits, trim kits, skirts) against defects in material or workmanship. Warranty coverage begins on the date the option or accessory was originally purchased by the user.

WARRANTY LIMITATIONS

Our limited warranty does not cover defects, damage, or failure caused by the common carrier, installer, user, or other person, or resulting from, without limitation, any of the following: careless handling (lifting unit by plumbing, abrading finish, etc.) including its own negligence; modification of any type for any reason (including modification to meet local codes); improper installation (including installation not in accordance with instructions and specifications provided with the unit); connections supplied by the installer of the equipment; improper voltage supply or unauthorized electrical modification; misuse; incorrect operation, or lack of proper routine maintenance; operation of the unit without specified minimum amount of water or at inappropriate water temperature; use of abrasive or improper cleaners; or acts of God, such as lightning, floods, earthquakes, etc.

In addition, THE COMPANY WILL NOT BE RESPONSIBLE FOR INCIDENTAL OR CONSEQUENTIAL DAMAGES or losses arising from any cause (e.g., water damage to carpet, ceiling, loss of use, etc.) including its own negligence; damages to, respecting, or resulting from: plated parts when pool and/or spa chemicals are used in the unit; optional bath equipment not manufactured by the Company but supplied by Dealer, installer or the Company; the unit's prior usage as an operational display; or defects that should have been discovered before installation. This limited warranty does not include: labor, transportation, or other costs incurred in the removal and/or reinstallation of the original unit and/or installation of a replacement unit; any costs relating to obtaining access for repair; or loss of use damage, including loss of sales, profit or business advantage of any kind under any circumstances. Bath units are excluded from any warranty coverage if any addition, deletion, or modification of any kind whatsoever has been made to the unit (or to any component).

Warranty coverage is provided in the United States of America and Canada.

EXCLUSION OF IMPLIED WARRANTIES

IMPLIED WARRANTIES OF MERCHANTABILITY AND FITNESS FOR A PARTICULAR PURPOSE ARE DISCLAIMED ALTOGETHER OR TO THE FULLEST EXTENT ALLOWED BY LAW.

NOTICE: This warranty gives you specific legal rights, and you may also have other rights which vary from state to state. There are no warranties applicable to Jacuzzi Whirlpool Bath products except as expressly stated herein or as implied by applicable state and federal laws. The Company will not be responsible for any statements or representations made in any form that go beyond, are broader than or are inconsistent with any authorized literature or specifications furnished by the Company.

Some states do not allow limitations on how long an implied warranty lasts, or the exclusion or limitation of incidental or consequential damages, so the above limitations and exclusions may not apply to you.

RETURN OF WARRANTY CARD

The attached Warranty Registration Card MUST be filled out by the purchaser within thirty (30) days from purchase and mailed to Jacuzzi Whirlpool Bath in order for this warranty to become effective.



Jacuzzi Luxury Bath
14525 Monte Vista Avenue
Chino, CA 91710

RESPONSIBILITIES OF OTHERS

Inspecting the unit prior to installation is the responsibility of the installer or building contractor who acts on behalf of the user. They are responsible for ensuring the unit is free of defect or damage. Notices are placed on and in the unit and on the shipping carton advising the installer of this responsibility. In the event of a problem, the unit must not be installed. The Company is not responsible for failures or damage that could have been discovered, repaired, or avoided by proper inspection and testing prior to installation.

Damage occurring in transit is the responsibility of the carrier. The user or installer MUST open the crate and inspect the unit for damage when it is delivered. If damage is discovered, it must be reported immediately to the seller and the carrier in writing, and an inspection requested. Failure of the carrier to respond should be reported to the seller and the carrier. Your freight claims should be filed promptly thereafter.

It is the responsibility of the installer, building contractor, or user to provide access for service. The Company is not responsible for any costs relating to obtaining access for repair. The user shall bear such costs and, if appropriate, must seek recovery from the installer.

Damage occurring to the unit during installation is the responsibility of the installer and/or building contractor and damage occurring thereafter is the responsibility of the user.

Failure of any optional equipment is the sole responsibility of the equipment manufacturer. (Options and accessories manufactured by the Company are warranted for ninety (90) days from the original date of purchase for parts only.)

The Distributor or Dealer is responsible for knowing local code requirements and notifying the installing contractor and/or user of these requirements at the time of purchase. The Company is not responsible for costs to modify any product to obtain any code approval, such as city, county, or state building codes in U.S.A. or municipal or provincial codes in Canada.

WARRANTY SERVICE

For the customer's benefit, the Company maintains a list of independent service personnel to perform required warranty service repairs. Such firms are not agents or representatives of the Company and cannot bind the Company by words or conduct.

The Company will provide the warranty service described above when the following conditions have been met: the failure is of the nature or type covered by the warranty; the user has informed an Authorized Jacuzzi Whirlpool Bath Service Agent or Warranty Service Department Representative of the nature of the problem during the warranty period; conclusive evidence (e.g., proof of purchase or installation) is provided to the foregoing by the user proving that the failure occurred or was discovered within the warranty period; an authorized independent service person or Company representative has been permitted to inspect the unit during regular business hours within a reasonable time after the problem was reported by the user.

In order to obtain warranty service, consult your local telephone book for the location of the nearest Jacuzzi Whirlpool Bath Authorized Service Agent. Describe the problem and the Authorized Service Agent will inspect the unit and provide the required warranty service.

If you are unable to contact a Jacuzzi Whirlpool Bath Authorized Service Agent, call or write:

Jacuzzi Luxury Bath
Warranty Service Department
14525 Monte Vista Avenue
Chino, CA 91710
Call: 1-(800) 288-4002

To obtain warranty replacement for factory-installed components for Company supplied options and accessories manufactured and supplied by the Company, call or write the above. Provide a description of the problem and proof of purchase. You will be instructed how to obtain replacements and where to return, at your expense, the failed component(s), option(s), or accessory(ies).

All replacement parts, equipment, and repairs shall assume the remaining warranty period of the part(s) replaced.

The Company's warranty obligation shall be discharged upon tender of replacement or repair. The customer's refusal to accept the tender terminates the Company's warranty obligation.

©2005 Jacuzzi Whirlpool Bath K272000AF 7/06

Ninety-Day
Parts Only
Limited Warranty
On
Accessory(ies)



Warranty Registration Card

This card must be filled out and returned to the address printed on the other side within thirty (30) days from date of purchase in order for this warranty to be come effective.

Purchaser's Name _____
Purchaser's Address _____
City _____ State _____ Zip _____
Date of Purchase _____
Model Name _____
Serial Number _____
Dealer's Name _____
Dealer's Address _____

1. How did you first hear about this Jacuzzi® product?
 Advertisement Article in Magazine/Newspaper
 Visited Dealer/Plumbing Supplier Yellow Pages
 Builder/Plumber/Remodeler Decorator/Architect
 Visited Retailer/Home Center Store
 Word of Mouth . . . Friend/Relative/Acquaintance
 Other (Please Describe) _____

2. Who first gave you specific information about this product (specifications, prices, etc.)?
 Dealer/Plumbing Supplier Builder Remodeler
 Plumbing Contractor Retailer/Home Center Store
 Decorator/Architect Already Installed
 Styling Warranty Service Product Features
 Brand Name Price Hydrotherapy
 Home Resale
 Other _____

4. Who finally decided which product you would buy?
 Self Spouse Self and Spouse Together
 Other Family Member Designer/Architect
 Builder/Plumber/Remodeler Already Installed
 Who Installed? Already Installed/New Home
 Contractor/Plumber when remodeling
 Self/Spouse when remodeling
 Other _____

6. What is the current market value of this property?
 Please estimate \$ _____ years

7. What is the age of the head of the household?
 Eiler Lasco Price Pfister Aqua Glass
 Kohler American Standard Sterling
 Other (Specify) _____

9. How long did you shop before purchasing unit?
 1 day 2 months - 6 months
 2 - 7 days 6 months - 1 year
 1 week - 2 weeks 1 year - 2 years
 2 weeks - 4 weeks +2 years
 1 month - 2 months

10. Approximately how long have you lived in this home?
 Please indicate, approximately, the total annual income of your household.
 Up to \$24,999 \$50,000 to \$74,999
 \$25,000 to \$29,999 \$75,000 to \$99,999
 \$30,000 to \$39,999 \$100,000 to \$149,999
 \$40,000 to \$49,999 \$150,000 and above

12. Was your purchase process?
 Very easy Easy Difficult Very Difficult
 Technically aware were you of the patented Jacuzzi® jet system prior to your purchase?
 Not aware Somewhat aware Very aware

Ninety-Day
Parts Only
Limited Warranty
On
Accessory(ies)



SERIE DE TINAS BUILDER/COMFORT CONTROLES ELECTRÓNICOS Y MANUALES MANUAL DE INSTALACIÓN Y OPERACIÓN

ESPAÑOL

Conserve Estas Instrucciones Para Uso Futuro.

Registro del Propietario

Fecha de compra _____

Comprado a _____

Instalado por _____

Número de serie _____

Número de modelo _____

Instalador: Deje este manual para el propietario.
Propietario: Lea este manual y guardelo para referencia en el futuro.

INSTRUCCIONES IMPORTANTES SEGURIDAD

LÉA Y SIQUE TODAS LAS INSTRUCCIONES

GUARDE ESTAS INSTRUCCIONES

INSTRUCCIONES que PERTENECEN A UN RIESGO DE el FUEGO, DE el CALAMBRE, O DE la HERIDA A PERSONAS

ADVERTENCIA — CUANDO SE USA ESTA UNIDAD, LAS PRECAUCIONES BÁSICAS SIEMPRE SE DEBEN SEGUIR, INCLUSIVE LO SIGUIENTE:

PELIGRO — PARA REDUCIR EL RIESGO DE LA HERIDA, NO PERMITE QUE NIÑOS UTILICEN ESTA UNIDAD A MENOS QUE ELLOS SEAN SUPERVISADOS DE CERCA SIEMPRE.

ADVERTENCIA — UTILIZA ESTA UNIDAD SOLO PARA SU USO DESTINADO DESCRIBIÓ COMO EN ESTE MANUAL. NO UTILICE LAS FIJACIONES NO RECOMENDADO POR LOS FABRICANTES.

ADVERTENCIA — NUNCA DEJE CAER O METE CUALQUIER OBJETIVO EN ALGUNA APERTURA.

ADVERTENCIA — NO OPERE ESTA UNIDAD SIN EL GUARDIA SOBRE LA SUCCIÓN QUE QUEDA.

ADVERTENCIA — ESTA UNIDAD DEBE SER CONECTADA SÓLO A UN CIRCUITO DEL SUMINISTRO QUE ES PROTEGIDO POR UN INTERRUPTOR (GFCI) DE CIRCUITO DE DEFECTO DE SUELO. TAL GFCI DEBE SER PROPORCIONADO POR EL INSTALADOR Y DEBE SER PROBADO EN UNA BASE RUTINARIA. PARA PROBAR EL GFCI, EMPUJE EL BOTÓN DE LA PRUEBA. EL GFCI DEBE INTERRUPTIR EL PODER. EMPUJE EL REPONE EL BOTÓN. EL PODER SE DEBE RESTAURAR. SI EL GFCI FALLA DE OPERAR EN ESTA MANERA, EL GFCI ES DEFECTUOSO. SI EL GFCI INTERRUPE EL PODER A LA BAÑERA SIN EL BOTÓN DE LA PRUEBA PARA SE EMPUJAR, UNA CORRIENTE DEL SUELO QUE FLUYE, INDICANDO UNA POSIBILIDAD DE UN CALAMBRE. NO UTILICE ESTA BAÑERA DE HYDROMASSAGE. DESCONECTE LA BAÑERA DE HYDROMASSAGE Y TENGA EL PROBLEMA CORREGIDO POR UN REPRESENTANTE CALIFICADO DEL SERVICIO ANTES DE UTILIZAR.

ADVERTENCIA — (UNIDADES DE CONEXIÓN PERMANENTE) ESTAS UNIDADES CUENTAN CON UN TERMINAL VERDE (O UN CONECTOR DE CABLE MARCADO CON "G", "GR", "GROUND" O "GROUNDING") DENTRO DEL COMPARTIMIENTO DE TERMINALES. PARA REDUCIR EL RIESGO DE DESCARGA ELÉCTRICA, CONECTE EL TERMINAL O EL CONECTOR AL TERMINAL DE TIERRA DEL SERVICIO ELÉCTRICO O DEL TABLERO DE ALIMENTACIÓN CON UN CONDUCTOR DEL MISMO TAMAÑO DE LOS CONDUCTORES DEL CIRCUITO QUE SUMINISTRAN ESTE EQUIPO.

OPERAR INSTRUCCIONES

ADVERTENCIA — LA INMERSIÓN PROLONGADA EN EL AGUA CALIENTE PUEDE INDUCIR HIPERTERMIA. LA HIPERTERMIA OCURRE CUANDO LA TEMPERATURA INTERNA DEL CUERPO ALCANZA UN PLANOS VARIOS GRADOS ENCIMA DE LA TEMPERATURA CORPORAL NORMAL DE 98.6°F. LOS SÍNTOMAS DE HIPERTERMIA INCLUYEN EL AUMENTO DE UN EN LA TEMPERATURA INTERNA DEL CUERPO, EL MAREO, EL LETARGO, SOMNOLENCIA Y DESMAYAR. LOS EFECTOS DE HIPERTERMIA INCLUYEN:

- A) EL FRACASO PARA PERCIBIR EL CALOR,
- B) EL FRACASO PARA RECONOCER LA NECESIDAD DE SALIR EL BALNEARIO O LA JACUZZI,
- C) DESCONOCIMIENTO DEL PELIGRO INMINENTE,
- D) EL DAÑO FETAL EN MUJERES ENCINTAS,
- E) LA INCAPACIDAD FÍSICA SALIR EL BALNEARIO O EL JACUZZI, Y
- F) LA INCONSCIENCIA QUE TIENE COMO RESULTADO EL PELIGRO DE AHOGAR.


ADVERTENCIA — EL USO DE ALCOHOL, LAS DROGAS O LA MEDICINA PUEDEN AUMENTAR MUCHO EL RIESGO DE HIPERTERMIA FATAL.

ADVERTENCIA — NO MANIPULA CON CONTROLES USUARIO-OPERADOS NI TALES DISPOSITIVOS.

INSTRUCCIONES

ADVERTENCIA — LOS PRODUCTOS CUANDO SE USA ELECTRICOS, LAS PRECAUCIONES BÁSICAS SIEMPRE SE DEBEN SEGUIR, INCLUSIVE LO SIGUIENTE:

PELIGRO — EL RIESGO DE CALAMBRE. CONECTA SÓLO A UN CIRCUITO PROTEGIDO POR UN INTERRUPTOR (GFCI) DE CIRCUITO DE DEFECTO DE SUELO.

 **PRECAUCIÓN** — PRUEBA EL INTERRUPTOR DE CIRCUITO DE DEFECTO DE SUELO QUE PROTEGE ESTE APARATO PERIODICAMENTE DE ACUERDO CON LAS INSTRUCCIONES DEL FABRICANTE.

ADVERTENCIA — UTILIZA ESTA UNIDAD SOLO PARA SU USO DESTINADO DESCRIBO COMO EN ESTE MANUAL. NO UTILICE LAS FIJACIONES NO RECOMENDADO POR LOS FABRICANTES.

ADVERTENCIA — PARA EVITAR LESIONES, TENGA CUIDADO AL ENTRAR Y SALIR DE LA TINA DE HIDROMASAJE.

ADVERTENCIA — MANTENGA EL CUERPO Y EL CABELLO A UNA DISTANCIA MÍNIMA DE 6 PULG. (15 CM) DEL ACCESORIO DE SUCCIÓN MIENTRAS EL SISTEMA DE HIDROMASAJE ESTÉ EN FUNCIONAMIENTO. SI EL LARGO DEL CABELLO EXCEDE LOS HOMBROS, SE LO DEBE SUJETAR CERCA DE LA CABEZA.

ADVERTENCIA — RIESGO DE DESCARGA ELÉCTRICA. NO UTILICE ELECTRODOMÉSTICOS, COMO SECADORES DE CABELLO, LÁMPARAS, TELÉFONOS, RADIOS O TELEVISORES, EN UN RADIO DE 60 PULG. (1,5 M) DE LA TINA DE HIDROMASAJE.

ADVERTENCIA — EL RIESGO DE LA HERIDA ACCIDENTAL O AHOGANDOSE; NO UTILICE LAS DROGAS O EL ALCOHOL ANTES O DURANTE EL USO DE BAÑERA DE HYDROMASSAGE EQUIPADA CON UNA CALENTADORA PARA EVITAR LA INCONSCIENCIA Y AHOGAR POSIBLE.

ADVERTENCIA — RIESGO DE LESIÓN FETAL. LAS MUJERES EMBARAZADAS O QUE PUEDAN ESTARLO DEBEN CONSULTAR A UN MÉDICO ANTES DE UTILIZAR UNA TINA DE HIDROMASAJE CON CALENTADOR.

ADVERTENCIA — RIESGO DE HIPERTERMIA Y POSIBILIDAD DE AHOGARSE. NO UTILICE UNA TINA DE HIDROMASAJE CON CALENTADOR INMEDIATAMENTE DESPUÉS DE HACER EJERCICIOS INTENSOS.

ADVERTENCIA — RIESGO DE HIPERTERMIA Y POSIBILIDAD DE AHOGARSE. LA TEMPERATURA DEL AGUA QUE SUPERE LOS 104°F (40°C) PUEDE SER PERJUDICIAL PARA LA SALUD. CONTROLE Y REGULE LA TEMPERATURA DEL AGUA ANTES DE UTILIZAR LA TINA.

ADVERTENCIA — RIESGO DE HIPERTERMIA. LAS PERSONAS QUE TOMEN MEDICAMENTOS O QUE TENGAN UNA HISTORIA CLÍNICA PROBLEMÁTICA DEBEN CONSULTAR A UN MÉDICO ANTES DE UTILIZAR UNA TINA DE HIDROMASAJE CON CALENTADOR.

PARA INCORPORADO Y LAS UNIDADES DE GOTA-EN, INSTALAN PARA PERMITIR EL ACCESO PARA ATENDER A.

ESTA UNIDAD SE DEBE MOLER ELÉCTRICAMENTE Y DEBE SER INSTALADA POR UN CONTRATISTA LICENCIADO, POR EL ELECTRICISTA, Y POR EL PLOMERO.

LAS MATERIAS DEL EDIFICIO Y EL ALAMBRADO SE DEBEN DIRIGIR LEJOS DE LA MOTRIZ/BOMBA O FUELLE U OTRO CALOR QUE PRODUCE LOS COMPONENTES DE ESTA UNIDAD.

EL MOTOR Y EL CALENTADOR TIENEN EN SU PARTE EXTERIOR UN CONECTOR DE CABLE A PRESIÓN PARA PERMITIR LA CONEXIÓN DE UN CONDUCTOR DE UNIÓN SÓLIDO DE COBRE #8 AWG (8,4 MM) ENTRE ESTA UNIDAD Y EL RESTO DE LOS EQUIPOS ELÉCTRICOS Y METALES EXPUESTOS CERCANOS, A FIN DE CUMPLIR CON LAS NORMAS LOCALES.

PRECAUCIONES

- Ponga en funcionamiento el sistema de hidromasaje sólo cuando la tina tenga un nivel de agua que supere en 1 a 2 pulgadas (2,5 - 5,08 cm) como mínimo a la boquilla de aire más alta.
- No llene en exceso la tina para evitar que el panel de control quede sumergido.
- No utilice aditivos para baño a base de aceites en la tina de hidromasaje.
- No utilice sustancias abrasivas para limpiar la tina, ya que pueden arruinar la superficie.
- Para evitar la decoloración del acabado acrílico, no llene la tina con agua a más de 140°F (60°C).

NOTA: Este producto debe ser instalado por profesionales. Es necesario contar con conocimientos de técnicas de construcción, instalaciones eléctricas y plomería de acuerdo con las normas para lograr una instalación adecuada y la satisfacción del usuario. Recomendamos que la instalación de todos los productos Jacuzzi Whirlpool Bath esté a cargo de un contratista matriculado. Nuestra garantía no cubre problemas relacionados con instalaciones defectuosas.

LAS ESPECIFICACIONES DE LOS PRODUCTOS ESTÁN SUJETAS A CAMBIOS SIN AVISO.

UTILICE LAS INSTRUCCIONES DE INSTALACIÓN ENTREGADAS CON EL PRODUCTO.

La empresa ha obtenido los listados de los códigos aplicables (normas) que suelen estar disponibles a nivel nacional para productos de este tipo. Es responsabilidad del instalador o propietario determinar el cumplimiento de las normas locales específicas antes de instalar el producto. La empresa no realiza manifestaciones ni ofrece garantías con respecto al cumplimiento de ninguna norma, ni será responsable de dicho cumplimiento.

TABLA DE CONTENIDO

Instrucciones de seguridad	2-3
Tabla de contenido	4
Especificaciones	5-9
Diagramas de instalaciones	10-17
Recorte	17
Instrucciones de instalación	18-24
Estructura y soporte	18
Faldón	19
Registros	20
Conexiones eléctricas	21
Plomería y suministro de agua	22
Instrucciones de instalación de undermount	23-24
Funcionamiento	25-26
Mantenimiento	27
Guía general de reoaro de fallas	28
Servicios autorizados	30
La garantía	31-32

NOTA: Obtener una referencia para un agente del servicio en su 1-(800)-288-4002 de la llamada de área. Usted puede visitar también nuestro sitio web en <http://www.jacuzzi.com/>.

Para encontrar las listas de agente de servicio para:

Las Reparaciones eléctricas o Mecánicas visitan <http://jacuzzi.com/pdf/ASA.PDF>

El fin, la Superficie, o las Reparaciones de Esqueleto-Relacionó visitan <http://jacuzzi.com/pdf/AFC.PDF>

La reparación Despide o los Accesorios visitan <http://jacuzzi.com/pdf/MPD.PDF>

ESPECIFICACIONES

Importante: Lea las instrucciones antes de iniciar la instalación.

Las tinas de hidromasaje se entregan listas para instalarse y completamente equipadas con motor, bomba, accesorios de plomería y mecanismos necesarios para el hidromasaje. La instalación del equipo de desagüe y rebosadero es opcional.

Saque la tina de su caja; consérvela hasta haber revisado completamente el producto. **No levante la tina sujetándola por los accesorios de plomería, sino por el casco.**

Inspeccione el casco de la tina en cuanto la reciba. En caso de que detecte algún daño o desperfecto en el terminado, no la instale. La garantía no cubre daños o desperfectos reclamados después de la instalación. La responsabilidad de Jacuzzi Whirlpool Bath por daños de embarque termina al entregar los productos en buen estado al distribuidor. Presente sus reclamaciones por daños al distribuidor. Para mayor información sobre la cobertura de la garantía, consulte la garantía publicada en el empaque del producto.

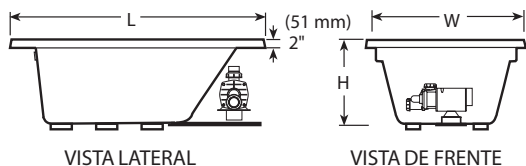
El funcionamiento de las tinas y el buen estado de las conexiones han sido probados en fábrica antes del embarque. **Nota: Antes de la instalación, llene la tina con agua y enciéndala para verificar que no presente fugas provocadas durante el embarque o por mal manejo.** Jacuzzi Whirlpool Bath no se hace responsable por desperfectos que pudieran haberse descubierto, reparado o evitado de haberse seguido este procedimiento de inspección y verificación.

No todas las tinas mostradas pueden estar disponibles como unidades de exportación. Las tinas de la exportación vienen con controles MANUALES y pueden venir:

- con el Bomba/Motor embaló separadamente,
- con el Bomba/Motor instaló,
- con ningún recorte de capacidad excesiva.

A causa de la variedad de tina de exportación escribe a máquina algunas instrucciones no pueden aplicar a su unidad. Desatienda las instrucciones que no aplican a su tina específica.

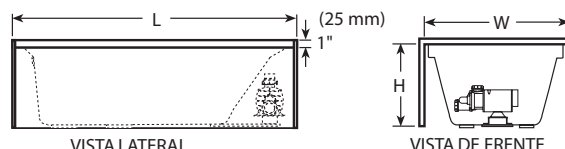
TINAS RECTANGULAR



VISTA LATERAL

VISTA DE FRENTE

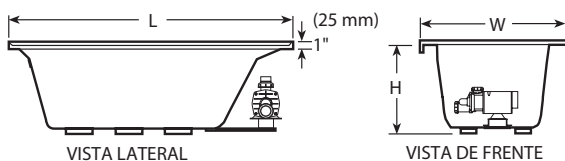
TINAS SIN FALDÓN INTEGRADO



VISTA LATERAL

VISTA DE FRENTE

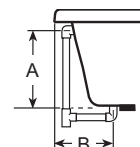
TINAS CON FALDÓN INTEGRADO



VISTA LATERAL

VISTA DE FRENTE

TINAS CON PESTAÑA DE 3 LADOS



DESAGÜE/REBOSADERO

ESPECIFICACIONES (Rectangular) LH = Mano Izquierda, RH = Mano Derecha

MODELO	MEDIDAS	MEDIDAS DEL DESAGÜE/REBOSADERO	CORTE	CARGA TOTAL SOBRE EL PISO	CAPACIDAD	PESO	FALDÓN Y MONTAJE	CALENTADOR LISTO PARA LA INSTALACIÓN DEL CAMPO
AMIGA™ LH & RH	72" (1829 mm) L* 36" (914 mm) W 20-3/4" (533 mm) H	16-7/8" (429 mm) A 14" (356 mm) B	70" x 34" (1778 mm x 864 mm)	772 lb (351 kg)/ 43 lb/pies² (210 kg/m²)	50 U.S. gal (186 litros)	105 lb (48 kg)	Opcional, marco en "U"	Si (S750000 HEATER JUEGO)
AMIGA™ CON FALDÓN INTEGRADO LH & RH	72" (1829 mm) L* 36" (914 mm) W 20-3/4" (533 mm) H	16-7/8" (429 mm) A 14" (356 mm) B	NA	796 lb (362 kg)/ 44 lb/pies² (214 kg/m²)	50 U.S. gal (186 litros)	129 lb (59 kg)	Integrado	Si (S750000 HEATER JUEGO)
BIANCA® LH	72" (1829 mm) L* 48" (1219 mm) W 20-1/2" (521 mm) H	16" (406 mm) A 8-1/2" (216 mm) B	70" x 46" (1778 mm x 1168 mm)	993 lb (451 kg)/ 41 lb/pies² (200 kg/m²)	73 U.S. gal (276 litros)	135 lb (61 kg)	Opcional, marco en "U"	Si (S750000 HEATER JUEGO)
CETRA® CON FALDÓN INTEGRADO LH & RH	60" (1524 mm) L* 32" (813 mm) W 20-1/2" (521 mm) H	17-7/8" (454 mm) A 9-3/8" (238 mm) B	NA	727 lb (330 kg)/ 55 lb/pies² (268 kg/m²)	46 U.S. gal (174 litros)	94 lb (43 kg)	Integrado	Si (S750000 HEATER JUEGO)
CETRA® 532 LH & RH	60" (1524 mm) L* 31-7/8" (791 mm) W 21-1/4" (553 mm) H	18-1/2" (470 mm) A 9" (229 mm) B	58" x 30-1/4" (1473 mm x 768 mm)	697 lb (317 kg)/ 53 lb/pies² (259 kg/m²)	43 U.S. gal (163 litros)	89 lb (41 kg)	Opcional, marco en "U"	Si (S750000 HEATER JUEGO)
CETRA® 536 LH & RH	60" (1524 mm) L* 36" (914 mm) W 21-1/4" (553 mm) H	18-1/2" (470 mm) A 9" (229 mm) B	58" x 34-1/4" (1473 mm x 870 mm)	742 lb (337 kg)/ 50 lb/pies² (244 kg/m²)	48 U.S. gal (181 litros)	92 lb (42 kg)	Opcional, marco en "U"	Si (S750000 HEATER JUEGO)

*Añada 1/4" (6,4 mm) a esta medida al instalar las unidades de 3 muros.

NOTA: Las dimensiones en general son nominales con una tolerancia de +0 y -1/4" (6,4 mm).

PARA TODAS LAS UNIDADES: Requisitos eléctricos del servicio: Todas requieren un circuito dedicado independiente y protegido con un GFCI.

(Opcional) RapidHeat™: 115 VAC, 15 AMP, 60 Hz. dedicó GFCI protegido circuito separado.

Motor/Bomba: 115 VAC., 15 AMP, 60 Hz. dedicó GFCI protegido circuito separado.

ESPECIFICACIONES

ESPECIFICACIONES (Rectangular) LH = Mano Izquierda, RH = Mano Derecha

MODELO	MEDIDAS	MEDIDAS DEL DESAGÜE/ REBOSADERO	CORTE	CARGA TOTAL SOBRE EL PISO	CAPACIDAD	PESO	FALDÓN Y MONTAJE	CALENTADOR LISTO PARA LA INSTALACIÓN DEL CAMPO
CETRA® 536 CON FALDÓN INTEGRADO LH & RH	60" (1524 mm) L* 36" (914 mm) W 21-1/4" (553 mm) H	18-1/2" (470 mm) A 9" (229 mm) B	NA	742 lb (337 kg)/ 50 lb/pies ² (244 kg/m ²)	48 U.S. gal (181 litros)	92 lb (42 kg)	Integrado	Si (S750000 HEATER JUEGO)
LUXURA™ 5 CON PESTAÑA DE 3 LADOS INTEGRADA LH & RH	60" (1524 mm) L 32" (813 mm) W 20-1/4" (514 mm) H	15-1/4" (387 mm) A 8-1/4" (210 mm) B	NA Pestaña Moldeada de Azulejo	697 lb (264 kg)/ 52 lb/pies ² (254 kg/m ²)	44 U.S. gal (167 litros)	80 lb (36 kg)	Opcional, marco en "U"	Si (S750000 HEATER JUEGO)
LUXURA™ 5 CON FALDÓN INTEGRADO LH & RH	60" (1524 mm) L 32" (813 mm) W 20-1/4" (514 mm) H	15-1/4" (387 mm) A 8-1/4" (210 mm) B	NA	700 lb (318 kg)/ 53 lb/pies ² (259 kg/m ²)	42 U.S. gal (159 litros)	100 lb (45 kg)	Integrado	Si (S750000 HEATER JUEGO)
LUXURA™ 5.5 LH & RH	66" (1676 mm) L* 34" (864 mm) W 20" (508 mm) H	15-1/4" (387 mm) A 8-3/8" (213 mm) B	64" x 32" (1626 mm x 813 mm)	823 lb (374 kg)/ 53 lb/pies ² (259 kg/m ²)	58 U.S. gal (220 litros)	90 lb (41 kg)	Opcional, marco en "U"	Si (S750000 HEATER JUEGO)
LUXURA™ 530 CON FALDÓN INTEGRADO LH & RH	60" (1524 mm) L* 30" (762 mm) W 20-1/4" (483 mm) H	16-3/4" (425 mm) A 9-1/4" (235 mm) B	NA	662 lb (301 kg)/ 53 lb/pies ² (259 kg/m ²)	38 U.S. gal (144 litros)	95 lb (43 kg)	Integrado	Si (U395000 HEATER JUEGO)
MAJORA® 5 LH & RH	60" (1524 mm) L* 42" (1067 mm) W 19-1/2" (495 mm) H	15" (381 mm) A 8-3/4" (222 mm) B	58" x 40" (1473 mm x 1013 mm)	728 lb (331 kg)/ 42 lb/pies ² (205 kg/m ²)	46 U.S. gal (172 litros)	95 lb (43 kg)	No Disponible	Si (S750000 HEATER JUEGO)
MAJORA® 6 LH & RH	72" (1829 mm) L* 42" (1067 mm) W 19-3/4" (502 mm) H	15-5/8" (397 mm) A 10-1/2" (267 mm) B	70" x 40" (1778 mm x 1016 mm)	937 lb (423 kg)/ 44 lb/pies ² (215 kg/m ²)	70 U.S. gal (265 litros)	104 lb (47 kg)	No Disponible	Si (S750000 HEATER JUEGO)
MAJORA® 6 CON FALDÓN INTEGRADO LH & RH	72" (1829 mm) L* 42" (1067 mm) W 19-3/4" (502 mm) H	15-5/8" (397 mm) A 10-1/2" (267 mm) B	NA	947 lb (430 kg)/ 45 lb/pies ² (220 kg/m ²)	70 U.S. gal (265 litros)	114 lb (52 kg)	Integrado	Si (S750000 HEATER JUEGO)
MITO® 5 LH & RH	60" (1524 mm) L* 42" (1067 mm) W 21" (533 mm) H	17-1/2" (445 mm) A 11-7/8" (302 mm) B	58" x 40" (1473 mm x 1016 mm)	866 lb (394 kg)/ 50 lb/pies ² (244 kg/m ²)	62 U.S. gal (235 litros)	100 lb (45 kg)	Opcional, marco en "U"	Si (S750000 HEATER JUEGO)
MITO® 6 LH & RH	72" (1829 mm) L* 42" (1067 mm) W 21-1/2" (546 mm) H	17-1/2" (445 mm) A 11-7/8" (302 mm) B	70" x 40" (1778 mm x 1016 mm)	993 lb (451 kg)/ 47 lb/pies ² (229 kg/m ²)	76 U.S. gal (288 litros)	110 lb (50 kg)	No Disponible	Si (S750000 HEATER JUEGO)
NOVA® 5 LH & RH	60" (1524 mm) L* 42" (1067 mm) W 18-1/2" (470 mm) H	14-3/4" (375 mm) A 8-1/2" (216 mm) B	58" x 40" (1473 mm x 1016 mm)	722 lb (328 kg)/ 41 lb/pies ² (200 kg/m ²)	45 U.S. gal (170 litros)	97 lb (44 kg)	Opcional, marco en "U"	Si (S750000 HEATER JUEGO)

*Añada 1/4" (6,4 mm) a esta medida al instalar las unidades de 3 muros.

NOTA: Las dimensiones en general son nominales con una tolerancia de +0 y -1/4" (6,4 mm).

PARA TODAS LAS UNIDADES: Requisitos eléctricos del servicio: Todas requieren un circuito dedicado independiente y protegido con un GFCI.

(Opcional) RapidHeat™: 115 VAC, 15 AMP, 60 Hz. dedicado GFCI protegido circuito separado.

Motor/Bomba: 115 VAC., 15 Amp, 60 Hz. dedicado GFCI protegido circuito separado.

ESPECIFICACIONES

ESPECIFICACIONES (Rectangular) LH = Mano Izquierda, RH = Mano Derecha

MODELO	MEDIDAS	MEDIDAS DEL DESAGÜE/ REBOSADERO	CORTE	CARGA TOTAL SOBRE EL PISO	CAPACIDAD	PESO	FALDÓN Y MONTAJE	CALENTADOR LISTO PARA LA INSTALACIÓN DEL CAMPO
NOVA® 5 CON PESTAÑA DE 3 LADOS INTEGRADA LH & RH	60" (1524 mm) L* 42" (1067 mm) W 18-1/2" (470 mm) H	14-3/4" (375 mm) A 8-1/2" (216 mm) B	NA Pestaña Moldeada de Azulejo	722 lb (328 kg)/ 41 lb/pies ² (200 kg/m ²)	45 U.S. gal (170 litros)	97 lb (44 kg)	No Disponible	Si (S750000 HEATER JUEGO)
NOVA® 5 CON FALDÓN INTEGRADO LH & RH	60" (1524 mm) L* 42" (1067 mm) W 18-1/2" (470 mm) H	15-7/8" (403 mm) A 9-1/4" (235 mm) B	NA	737 lb (335 kg)/ 42 lb/pies ² (205 kg/m ²)	45 U.S. gal (170 litros)	112 lb (51 kg)	Integrado	No
NOVA® 6 LH & RH	72" (1829 mm) L* 42" (1067 mm) W 20-1/2" (521 mm) H	14-3/4" (375 mm) A 8-1/2" (216 mm) B	70" x 40" (1778 mm x 1016 mm)	876 lb (398 kg)/ 42 lb/pies ² (205 kg/m ²)	62 U.S. gal (235 litros)	110 lb (50 kg)	Opcional, marco en "U"	Si (S750000 HEATER JUEGO)
NOVA® 536 LH & RH	60" (1524 mm) L* 36" (914 mm) W 19-1/4" (489 mm) H	15-1/8" (384 mm) A 9" (229 mm) B	58" x 34" (1473 mm x 863 mm)	683 lb (310 kg)/ 46 lb/pies ² (224 kg/m ²)	42 U.S. gal (159 litros)	83 lb (38 kg)	No Disponible	Si (S750000 HEATER JUEGO)
NOVA® 536 CON FALDÓN INTEGRADO LH & RH	60" (1524 mm) L* 36" (914 mm) W 19-1/4" (489 mm) H	14-5/8" (372 mm) A 9" (229 mm) B	NA	698 lb (317 kg)/ 47 lb/pies ² (229 kg/m ²)	42 U.S. gal (159 litros)	98 lb (45 kg)	Integrado	Si (S750000 HEATER JUEGO)
NOVA® 636 CON FALDÓN INTEGRADO LH & RH	72" (1829 mm) L* 36" (914 mm) W 19" (483 mm) H	14-5/8" (372 mm) A 9-3/8" (238 mm) B	NA	824 lb (375 kg)/ 47 lb/pies ² (229 kg/m ²)	56 U.S. gal (223 litros)	108 lb (49 kg)	Integrado	Si (S750000 HEATER JUEGO)
SIGNA® 5 LH & RH	60" (1524 mm) L* 42" (1067 mm) W 22" (559 mm) H	17-1/2" (445 mm) A 12-1/2" (318 mm) B	58" x 40" (1473 mm x 1016 mm)	708 lb (321 kg)/ 40 lb/pies ² (195 kg/m ²)	42 U.S. gal (159 litros)	108 lb (49 kg)	Opcional, marco en "U"	Si (S750000 HEATER JUEGO)
SIGNA® 5 CON FALDÓN INTEGRADO MOTRIZ/BOMBA CORRECTA ANTERIOR LH & RH	60" (1524 mm) L* 42" (1067 mm) W 22" (559 mm) H	17-7/8" (451 mm) A 12-3/4" (330 mm) B	NA	723 lb (329 kg)/ 41 lb/pies ² (200 kg/m ²)	42 U.S. gal (159 litros)	126 lb (56 kg)	Integrado	Si (U395000 HEATER JUEGO)
SIGNA® 5 CON PESTAÑA DE 3 LADOS INTEGRADA RH	60" (1524 mm) L* 42" (1067 mm) W 22" (559 mm) H	17-1/2" (445 mm) A 12-1/2" (318 mm) B	NA	708 lb (321 kg)/ 40 lb/pies ² (195 kg/m ²)	42 U.S. gal (159 litros)	108 lb (49 kg)	Opcional, marco en "U"	Si (S750000 HEATER JUEGO)
SIGNA® 6 LH & RH	72" (1829 mm) L* 42" (1067 mm) W 22" (559 mm) H	16-7/8" (429 mm) A 14" (356 mm) B	70" x 40" (1778 mm x 1016 mm)	826 lb (375 kg)/ 39 lb/pies ² (190 kg/m ²)	55 U.S. gal (208 litros)	118 lb (54 kg)	No Disponible	Si (S750000 HEATER JUEGO)

*Añada 1/4" (6,4 mm) a esta medida al instalar las unidades de 3 muros.

NOTA: Las dimensiones en general son nominales con una tolerancia de +0 y -1/4" (6,4 mm).

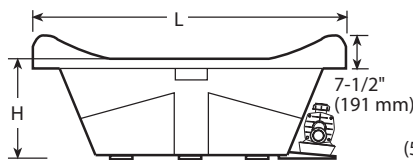
PARA TODAS LAS UNIDADES: Requisitos eléctricos del servicio: Todas requieren un circuito dedicado independiente y protegido con un GFCI.

(Opcional) RapidHeat™: 115 VAC, 15 AMP, 60 Hz. dedicó GFCI protegido circuito separado.

Motor/Bomba: 115 VAC., 15 Amp, 60 Hz. dedicó GFCI protegido circuito separado.

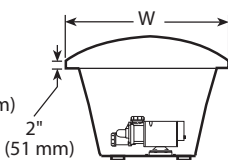
ESPECIFICACIONES

TINAS OVALADAS SIN BORDES

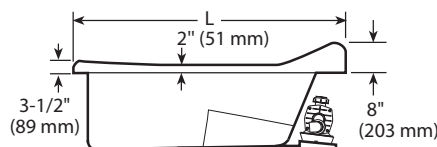


VISTA LATERAL

FRESCO

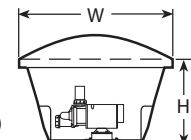


VISTA DE FRENTE

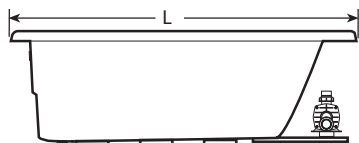


VISTA LATERAL

MILANO

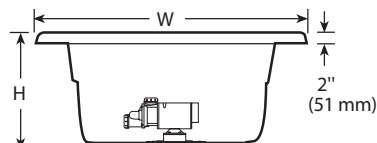


VISTA DE FRENTE

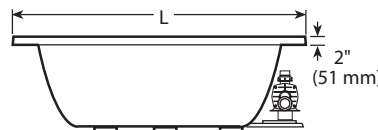


VISTA LATERAL

RIVA 5 & RIVA 6
GALLERY 5 & GALLERY 6

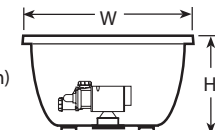


VISTA DE FRENTE

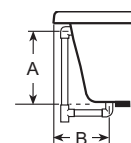


VISTA LATERAL

LUNA



VISTA DE FRENTE



DESAGÜE/REBOSADERO

ESPECIFICACIONES (Ovaladas) LH = Mano Izquierda, RH = Mano Derecha

MODELO	MEDIDAS	MEDIDAS DEL DESAGÜE/REBOSADERO	CORTE	CARGA TOTAL SOBRE EL PISO	CAPACIDAD	PESO	FALDÓN Y MONTAJE	CALENTADOR LISTO PARA LA INSTALACIÓN DEL CAMPO
FRESCO [®] LH & RH	71-1/2" (1816 mm) L 42" (1067 mm) W 27-1/4" (692 mm) H*	20-1/8" (511 mm) A 11-3/4" (299 mm) B	Plantilla Poveida P/N P188000	921 lb (419 kg)/ 44 lb/pies ² (220 kg/m ²)	63 U.S. gal (239 litros)	146 lb (66 kg)	No Disponible	Si (S750000 HEATER JUEGO)
GALLERY™ 5 OVALADAS LH & RH	62" (1575 mm) L 43" (1092 mm) W 19" (483 mm) H	14-3/4" (375 mm) A 9-1/2" (241 mm) B	Plantilla Poveida P/N P186000	746 lb (339 kg)/ 40 lb/pies ² (195 kg/m ²)	48 U.S. gal (182 litros)	96 lb (44 kg)	No Disponible	Si (S750000 HEATER JUEGO)
GALLERY™ 6 OVALADAS LH & RH	72" (1829 mm) L 42" (1067 mm) W 20-1/2" (521 mm) H	16" (406 mm) A 11-1/2" (292 mm) B	Plantilla Poveida P/N P186000	871 lb (395 kg)/ 42 lb/pies ² (205 kg/m ²)	62 U.S. gal (235 litros)	105 lb (48 kg)	No Disponible	Si (S750000 HEATER JUEGO)
GALLERY™ 6 OVALADAS UNDERMOUNT LH & RH	72" (1829 mm) L 42" (1067 mm) W 20-1/2" (521 mm) H	16" (406 mm) A 11-1/2" (292 mm) B	Plantilla Poveida P/N X302000	871 lb (395 kg)/ 42 lb/pies ² (205 kg/m ²)	62 U.S. gal (235 litros)	105 lb (48 kg)	No Disponible	Si (S750000 HEATER JUEGO)
LUNA™ RH	72" (1829 mm) L 42" (1067 mm) W 23" (584 mm) H	19-1/8" (486 mm) A 11" (279 mm) B	Plantilla Poveida P/N P819000	1221 lb (555 kg)/ 58 lb/pies ² (283 kg/m ²)	96 U.S. gal (364 litros)	121 lb (55 kg)	No Disponible	Si (S750000 HEATER JUEGO)
MILANO™ LH & RH	72" (1816 mm) L 40" (1016 mm) W 20-3/4" (527 mm) H	18-1/2" (470 mm) A 11" (279 mm) B	Plantilla Poveida P/N P188000	893 lb (406 kg)/ 45 lb/pies ² (220 kg/m ²)	60 U.S. gal (227 litros)	143 lb (65 kg)	No Disponible	Si (S750000 HEATER JUEGO)
OPALIA™ LH & RH	72" (1829 mm) L 44" (1118 mm) W 22-1/4" (565 mm) H	18-3/4" (476 mm) A 12" (305 mm) B	Plantilla Poveida P/N P186000	978 lb (445 kg)/ 45 lb/pies ² (220 kg/m ²)	70 U.S. gal (265 litros)	145 lb (66 kg)	No Disponible	Si (S750000 HEATER JUEGO)
RIVA [®] 5 RH	62" (1575 mm) L 43" (1092 mm) W 19" (483 mm) H	14-3/4" (375 mm) A 9-1/2" (241 mm) B	Plantilla Poveida P/N P186000	746 lb (339 kg)/ 40 lb/pies ² (195 kg/m ²)	48 U.S. gal (182 litros)	96 lb (44 kg)	No Disponible	Si (S750000 HEATER JUEGO)
RIVA [®] 6 LH & RH	72" (1829 mm) L 42" (1067 mm) W 20-1/2" (521 mm) H	16" (406 mm) A 11-1/2" (292 mm) B	Plantilla Poveida P/N P186000	871 lb (396 kg)/ 42 lb/pies ² (205 kg/m ²)	62 U.S. gal (235 litros)	105 lb (48 kg)	No Disponible	Si (S750000 HEATER JUEGO)

* Para el Fresco™ modela H551, H549, y H550 que esta altura es 23-3/4 pulg.

NOTA: Las dimensiones en general son nominales con una tolerancia de +0 y -1/4" (6,4 mm).

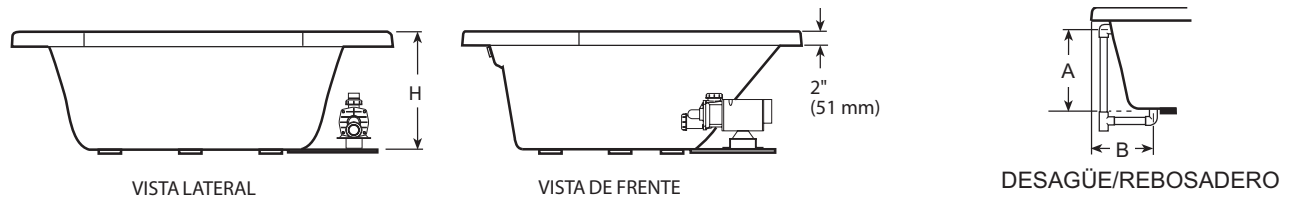
PARA TODAS LAS UNIDADES: Requisitos eléctricos del servicio: Todas requieren un circuito dedicado independiente y protegido con un GFCI.

(Opcional) RapidHeat™: 115 VAC, 15 AMP, 60 Hz. dedicado GFCI protegido circuito separado.

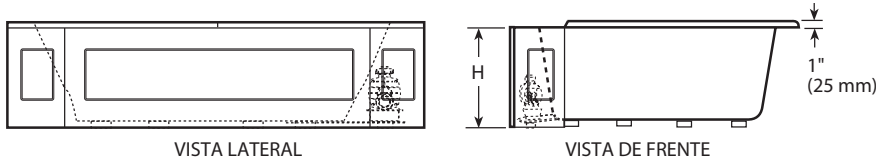
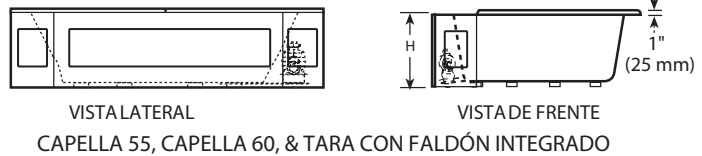
Motor/Bomba: 115 VAC., 15 Amp, 60 Hz. dedicado GFCI protegido circuito separado.

ESPECIFICACIONES

TINAS DE ESQUINA



TINAS DE ESQUINA



ESPECIFICACIONES (De Esquina) LH = Mano Izquierda, RH = Mano Derecha

MODELO	MEDIDAS	MEDIDAS DEL DESAGÜE/REBOSADERO	CORTE	CARGA TOTAL SOBRE EL PISO	CAPACIDAD	PESO	FALDÓN Y MONTAJE	CALENTADOR LISTO PARA LA INSTALACIÓN DEL CAMPO
CAPELLA® 55 RH	55" (1397 mm) L 55" (1397 mm) L 20-1/4" (514 mm) H	17-1/2" (445 mm) A 9-5/8" (245 mm) B	Vea Pagina 17	791 lb (360 kg)/ 38 lb/pies² (185 kg/m²)	51 U.S. gal (193 litros)	116 lb (53 kg)	Opcional	Si (S750000 HEATER JUEGO)
CAPELLA® 55 CON FALDÓN INTEGRADO RH	55" (1397 mm) L 55" (1397 mm) L 20-1/2" (521 mm) H	18" (457 mm) A 12-1/8" (308 mm) B	NA	833 lb (379 kg)/ 40 lb/pies² (195 kg/m²)	54 U.S. gal (204 litros)	125 lb (57 kg)	Integrado	No
CAPELLA® SPACESAVER CON FALDÓN INTEGRADO RH	60" (1524 mm) L 60" (1524 mm) L 20-1/2" (521 mm) H	18" (457 mm) A 12-3/8" (308 mm) B	NA	880 lb (400 kg)/ 35 lb/pies² (171 kg/m²)	60 U.S. gal (227 litros)	130 lb (59 kg)	Integrado	No
CAPELLA® 60 MOTOR/BOMBA DELANTERO IZQUIERDO LH	60" (1524 mm) L 60" (1524 mm) L 20-1/2" (521 mm) H	18" (457 mm) A 12-1/8" (308 mm) B	Vea Pagina 17	870 lb (395 kg)/ 35 lb/pies² (171 kg/m²)	60 U.S. gal (227 litros)	120 lb (54 kg)	No Disponible	No
CAPELLA® 60 LH & RH	60" (1524 mm) L 60" (1524 mm) L 20-1/2" (521 mm) H	18" (457 mm) A 12-1/8" (308 mm) B	Vea Pagina 17	870 lb (395 kg)/ 35 lb/pies² (171 kg/m²)	60 U.S. gal (227 litros)	120 lb (54 kg)	No Disponible	No
CAPELLA® 60 CON FALDÓN INTEGRADO RH	60" (1524 mm) L 60" (1524 mm) L 20-1/2" (521 mm) H	18" (457 mm) A 12-1/8" (308 mm) B	NA	880 lb (400 kg)/ 35 lb/pies² (171 kg/m²)	60 U.S. gal (227 litros)	130 lb (59 kg)	Integrado	No
GALLERY™ ESQUINA LH & RH	60" (1524 mm) L 60" (1524 mm) L 22-1/2" (572 mm) H	18-1/8" (451 mm) A 12" (305 mm) B	Vea Pagina 17	984 lb (447 kg)/ 39 lb/pies² (244 kg/m²)	74 U.S. gal (280 litros)	118 lb (54 kg)	No Disponible	Si (S750000 HEATER JUEGO)
TARA™ LH & RH	60" (1524 mm) L 60" (1524 mm) L 20-3/4" (527 mm) H	16" (406 mm) A 12-3/8" (314 mm) B	Vea Pagina 17	984 lb (447 kg)/ 39 lb/pies² (190 kg/m²)	74 U.S. gal (280 litros)	118 lb (54 kg)	Opcional	Si (S750000 HEATER JUEGO)
TARA™ CON FALDÓN INTEGRADO RH	60" (1524 mm) L 60" (1524 mm) L 20-3/4" (527 mm) H	16" (406 mm) A 12-3/8" (314 mm) B	NA	999 lb (454 kg)/ 40 lb/pies² (195 kg/m²)	74 U.S. gal (280 litros)	133 lb (61 kg)	Integrado	No

NOTA: Las dimensiones en general son nominales con una tolerancia de +0 y -1/4" (6,4 mm).

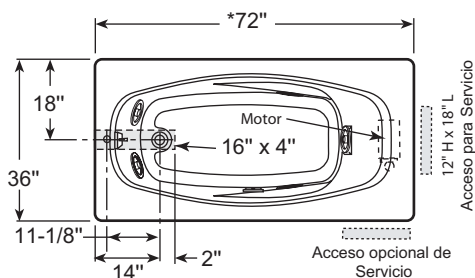
PARA TODAS LAS UNIDADES: Requisitos eléctricos del servicio: Todas requieren un circuito dedicado independiente y protegido con un GFCI.

(Opcional) RapidHeat™: 115 VAC, 15 AMP, 60 Hz. dedicado GFCI protegido circuito separado.

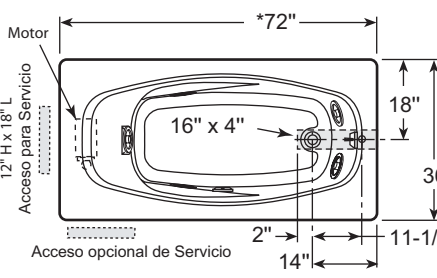
Motor/Bomba: 115 VAC., 15 Amp, 60 Hz. dedicado GFCI protegido circuito separado.

DIAGRAMAS DE INSTALACIONES

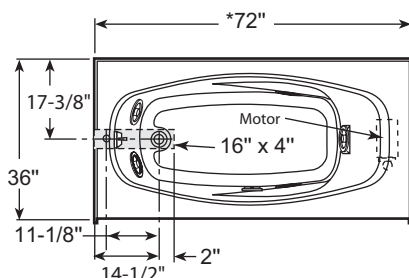
DIAGRAMAS EN PLANTA DE INSTALACIONES (RECTANGULAR)



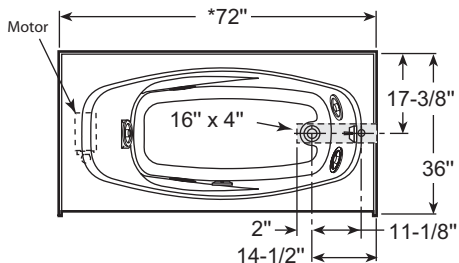
AMIGA™, Mano Izquierda



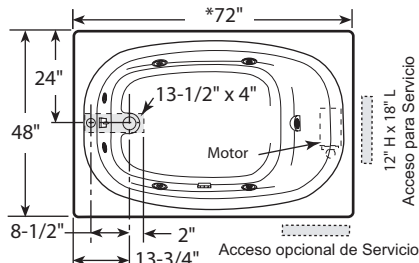
AMIGA™, Mano Derecha



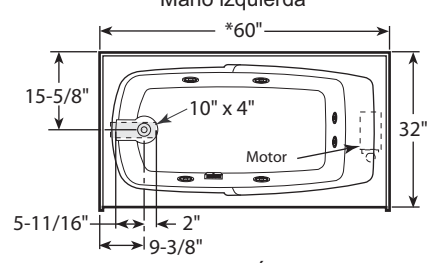
AMIGA™ CON FALDÓN INTEGRADO,
Mano izquierda



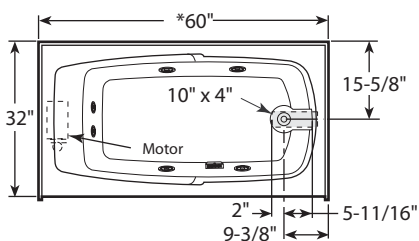
AMIGA™ CON FALDÓN INTEGRADO,
Mano derecha



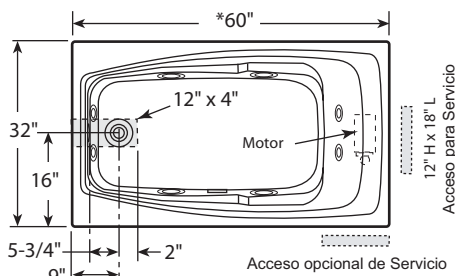
(Mano izquierda (como mostrado) solamente)
BIANCA™



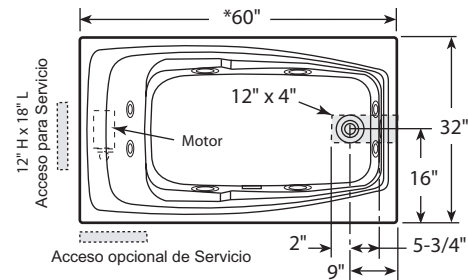
CETRA™ CON FALDÓN INTEGRADO,
Mano Izquierda



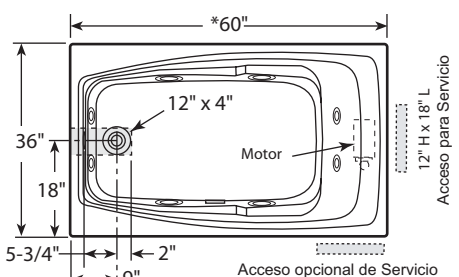
CETRA™ CON FALDÓN INTEGRADO,
Mano Derecha



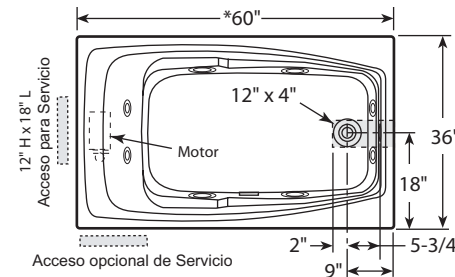
CETRA™ 532, Mano Izquierda



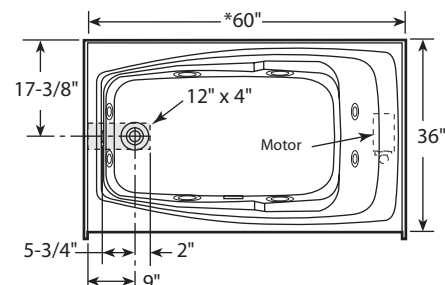
CETRA™ 532, Mano Derecha



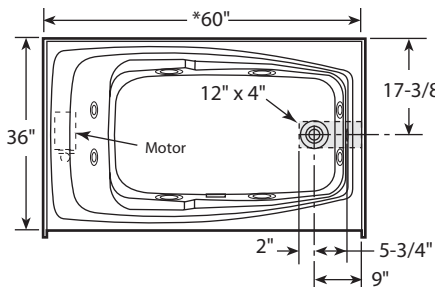
CETRA™ 536, Mano Izquierda



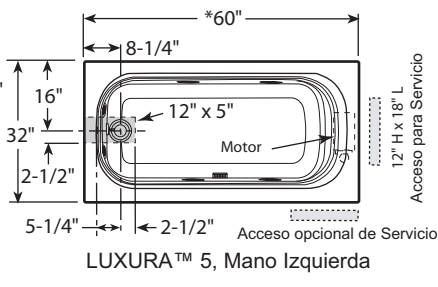
CETRA™ 536, Mano Derecha



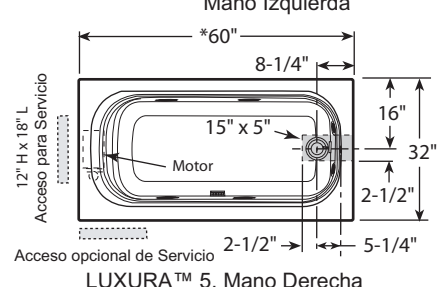
CETRA™ 536 CON FALDÓN INTEGRADO,
Mano Izquierda



CETRA™ 536 CON FALDÓN INTEGRADO,
Mano Derecha



LUXURA™ 5, Mano Izquierda



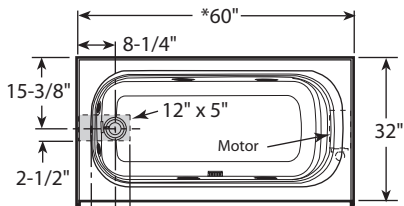
LUXURA™ 5, Mano Derecha

*Añada 1/4 pulgadas (6,4 mm) a esta medida al instalar las unidades de 3 muros.

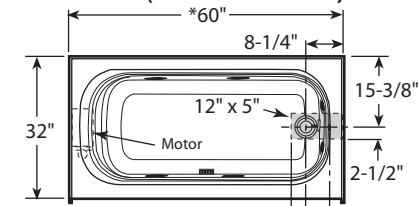
- NOTA:
1. Las dimensiones en general son nominales con una tolerancia de +0 y -1/4 pulgadas (6,4 mm).
 2. Mantenga las dimensiones del acceso dadas son tamaño mínimo. El acceso del servicio se requiere todavía para las unidades que no tienen el Bomba/Motor pre-instalado.
 3. Las medidas dentro de cada unidad representan el recorte en piso para permitir desagüe/rebosadero.
 4. Todas las medidas están en pulgadas. Para convertir a los milímetros, multiplique las pulgadas por 25,4.
 5. No todas unidades de exportación vienen con el Bomba/Motor pre-instalado.

DIAGRAMAS DE INSTALACIONES

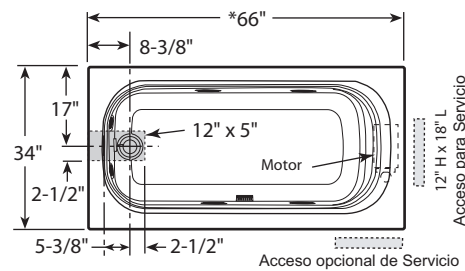
DIAGRAMAS EN PLANTA DE INSTALACIONES (RECTANGULAR)



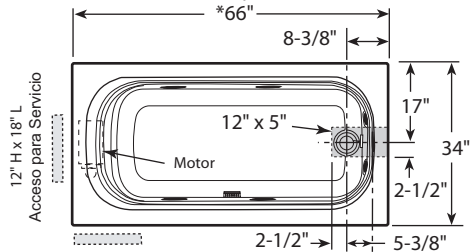
LUXURA™ 5 CON FALDÓN INTEGRADO,
Mano Izquierda



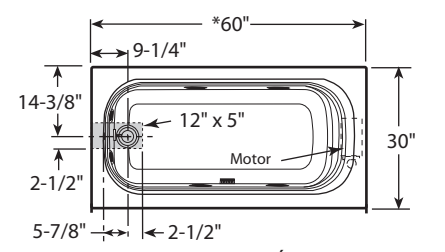
LUXURA™ 5 CON FALDÓN INTEGRADO,
Mano Derecha



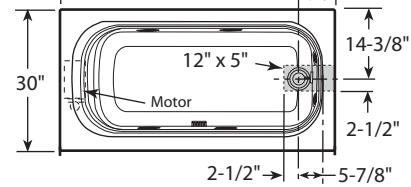
LUXURA™ 5.5, Mano Izquierda



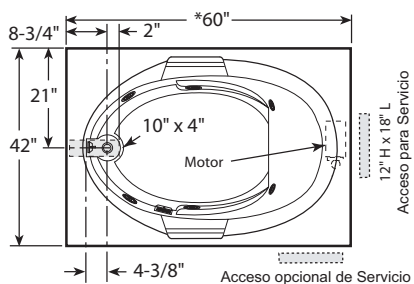
LUXURA™ 5.5, Mano Derecha



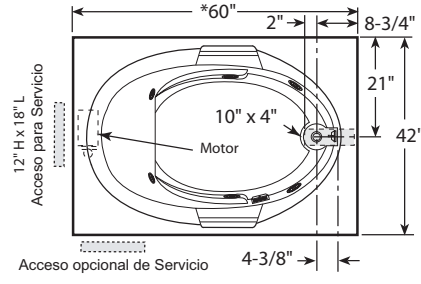
LUXURA™ 530 CON FALDÓN INTEGRADO,
Mano Izquierda



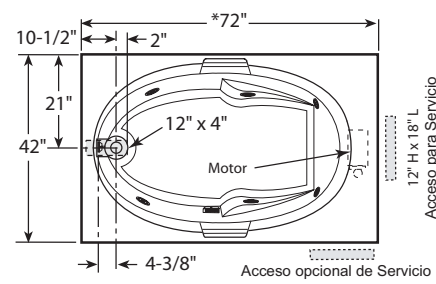
LUXURA™ 530 CON FALDÓN INTEGRADO,
Mano Derecha



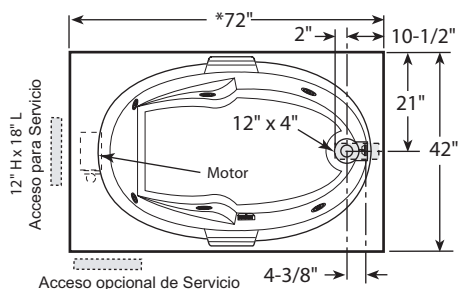
MAJORA™ 5, Mano Izquierda



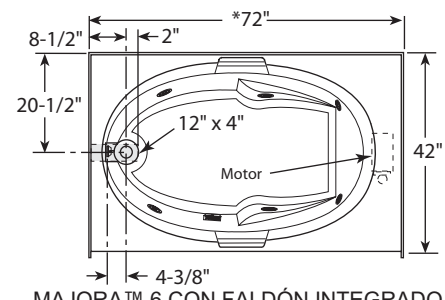
MAJORA™ 5, Mano Derecha



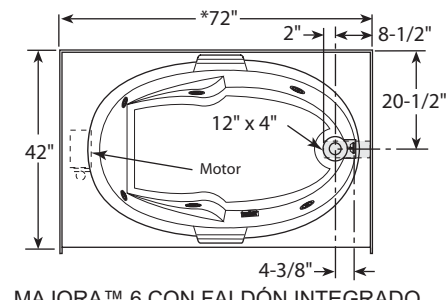
MAJORA™ 6, Mano Izquierda



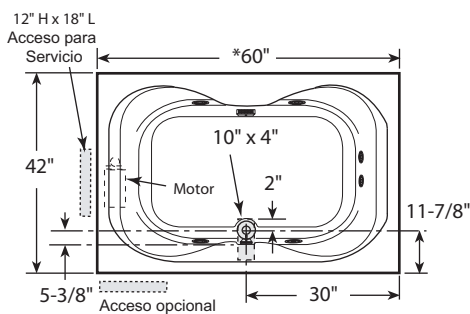
MAJORA™ 6, Mano Derecha



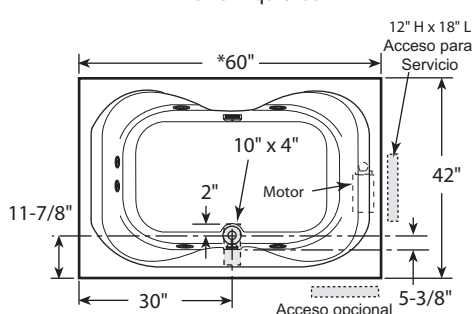
MAJORA™ 6 CON FALDÓN INTEGRADO,
Mano Izquierda



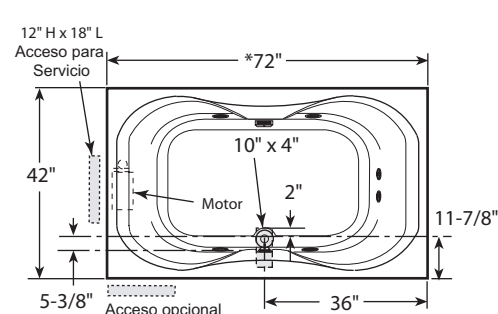
MAJORA™ 6 CON FALDÓN INTEGRADO,
Mano Derecha



MITO™ 5, Mano Izquierda



MITO™ 5, Mano Derecha



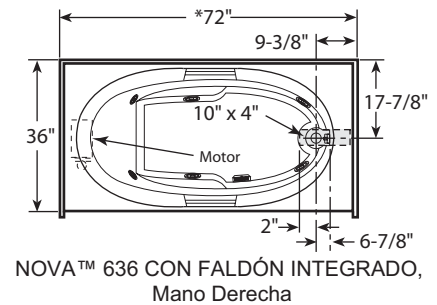
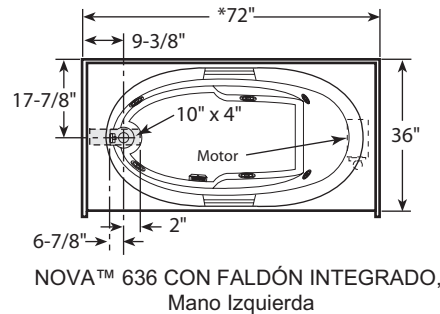
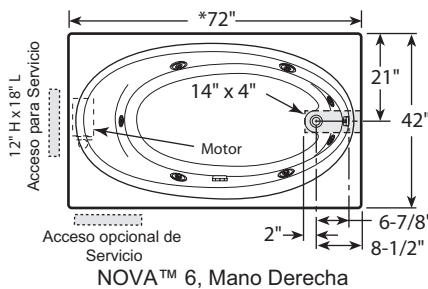
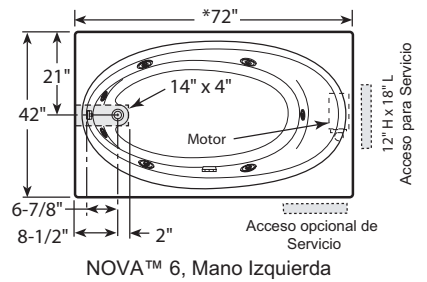
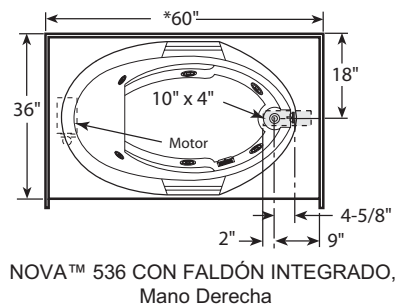
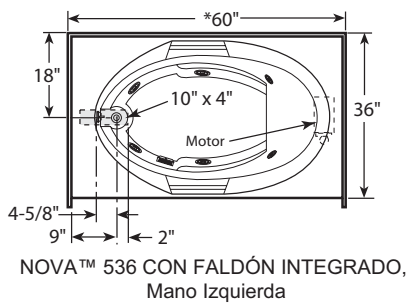
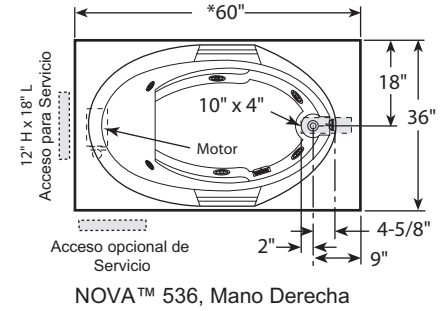
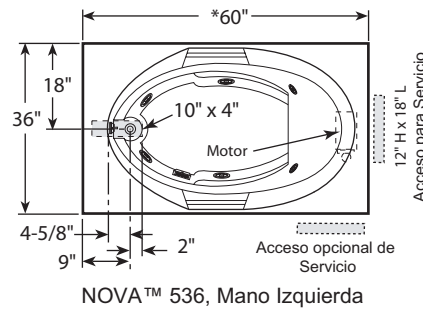
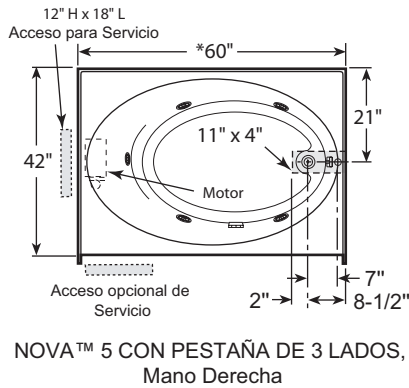
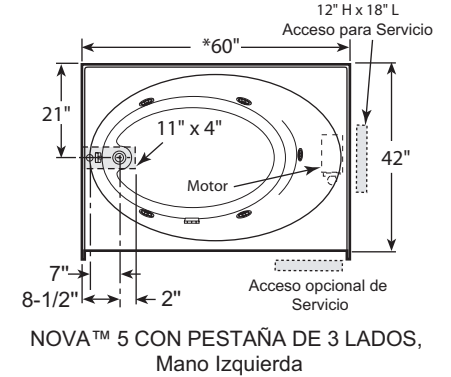
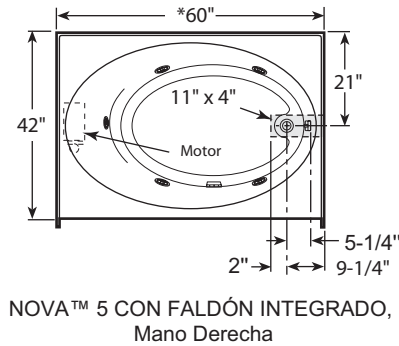
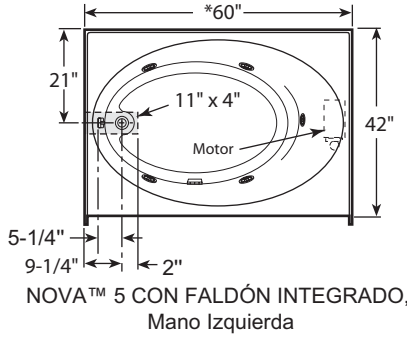
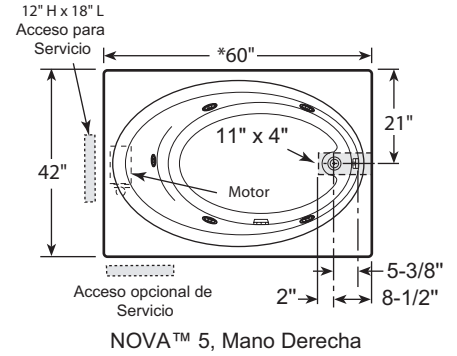
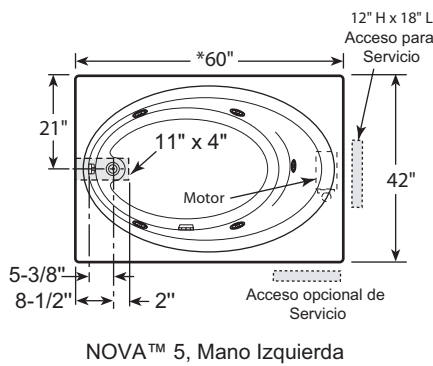
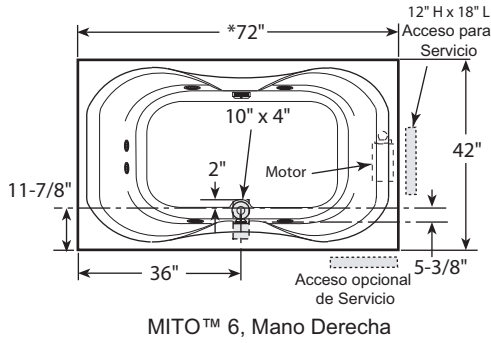
MITO™ 6, Mano Izquierda

*Añada 1/4 pulgadas (6,4 mm) a esta medida al instalar las unidades de 3 muros.

- NOTA:
1. Las dimensiones en general son nominales con una tolerancia de +0 y -1/4 pulgadas (6,4 mm).
 2. Mantenga las dimensiones del acceso dadas son tamaño mínimo. El acceso del servicio se requiere todavía para las unidades que no tienen el Bomba/Motor pre-instalado.
 3. Las medidas dentro de cada unidad representan el recorte en piso para permitir desagüe/rebosadero.
 4. Todas las medidas están en pulgadas. Para convertir a los milímetros, multiplique las pulgadas por 25,4.
 5. No todas unidades de exportación vienen con el Bomba/Motor pre-instalado.

DIAGRAMAS DE INSTALACIONES

DIAGRAMAS EN PLANTA DE INSTALACIONES (RECTANGULAR)

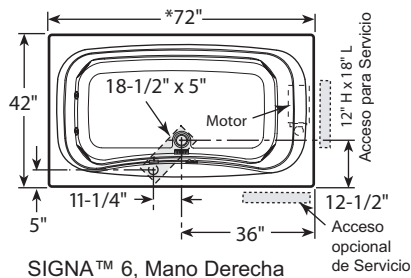
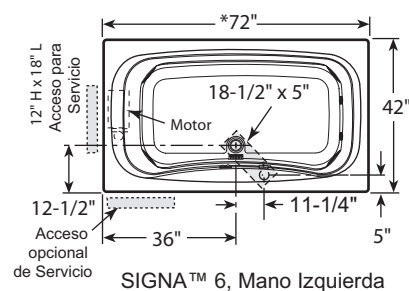
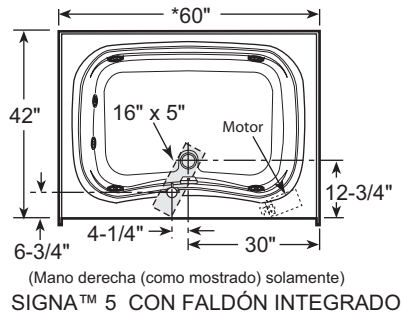
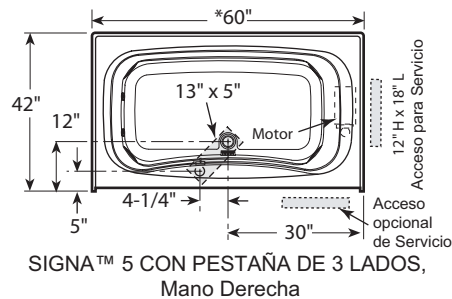
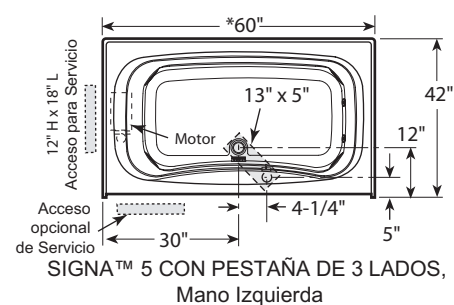
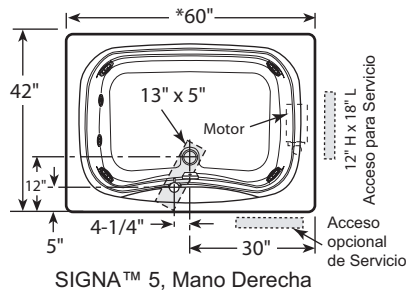
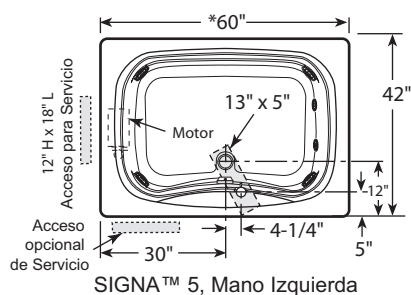


*Añada 1/4 pulgadas (6,4 mm) a esta medida al instalar las unidades de 3 muros.

- NOTA:
1. Las dimensiones en general son nominales con una tolerancia de +0 y -1/4 pulgadas (6,4 mm).
 2. Mantenga las dimensiones del acceso dadas son tamaño mínimo. El acceso del servicio se requiere todavía para las unidades que no tienen el Bomba/Motor pre-instalado.
 3. Las medidas dentro de cada unidad representan el recorte en piso para permitir desagüe/rebosadero.
 4. Todas las medidas están en pulgadas. Para convertir a los milímetros, multiplique las pulgadas por 25.4.
 5. No todas unidades de exportación vienen con el Bomba/Motor pre-instalado.

DIAGRAMAS DE INSTALACIONES

DIAGRAMAS EN PLANTA DE INSTALACIONES (RECTANGULAR)



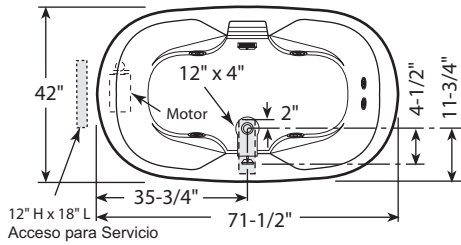
*Añada 1/4 pulgadas (6,4 mm) a esta medida al instalar las unidades de 3 muros.

- NOTA:
1. Las dimensiones en general son nominales con una tolerancia de +0 y -1/4 pulgadas (6,4 mm).
 2. Mantenga las dimensiones del acceso dadas son tamaño mínimo. El acceso del servicio se requiere todavía para las unidades que no tienen el Bomba/Motor pre-instalado.
 3. Las medidas dentro de cada unidad representan el recorte en piso para permitir desagüe/rebosadero.
 4. Todas las medidas están en pulgadas. Para convertir a los milímetros, multiplique las pulgadas por 25.4.
 5. No todas unidades de exportación vienen con el Bomba/Motor pre-instalado.

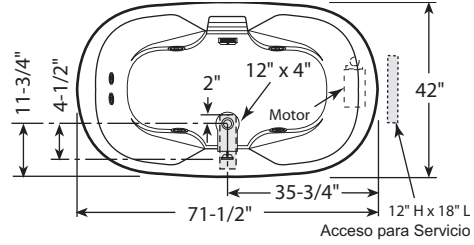
DIAGRAMAS DE INSTALACIONES

DIAGRAMAS EN PLANTA DE INSTALACIONES (OVALADAS)

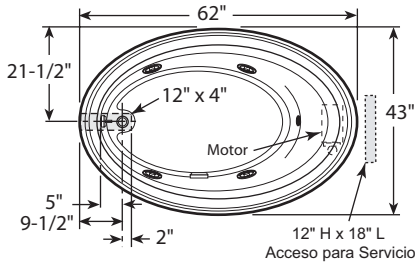
NOTA: Estas unidades se han proporcionado con plantillas de recorte incluidas en el envío el cartón.
Vea información de RECORTE para cada modelo en la página 8.



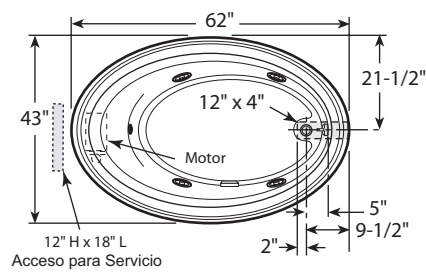
FRESCO™, Mano Izquierda



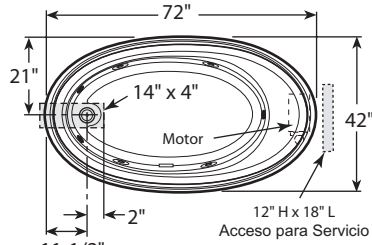
FRESCO™, Mano Derecha



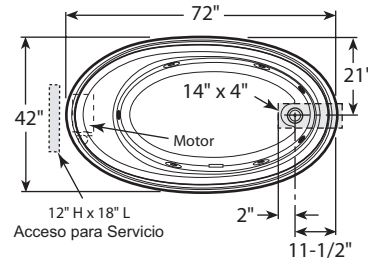
GALLERY™ 5 OVALADAS, Mano Izquierda



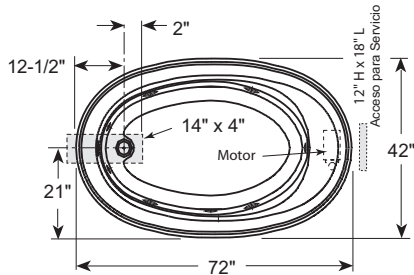
GALLERY™ 5 OVALADAS, Mano Derecha



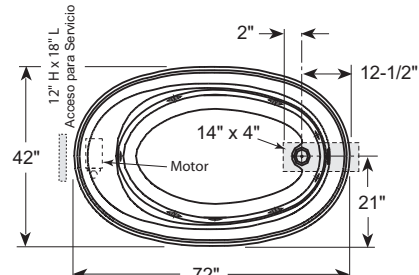
GALLERY™ 6, Mano Izquierda



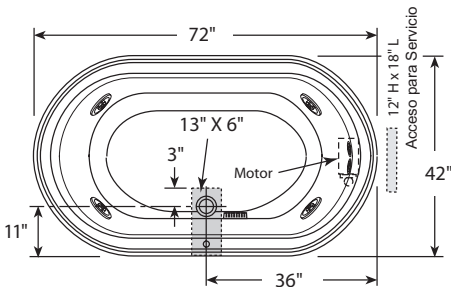
GALLERY™ 6, Mano Derecha



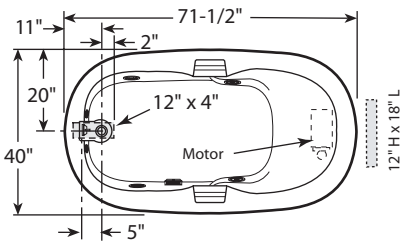
GALLERY™ 6 UNDERMOUNT, Mano Izquierda



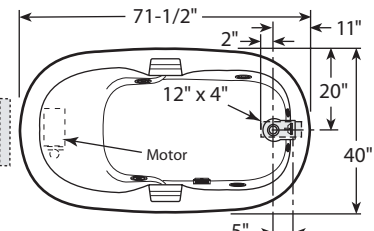
GALLERY™ 6 UNDERMOUNT, Mano Derecha



(Mano derecha (como mostrado) solamente)
LUNA™



MILANO™, Mano Izquierda



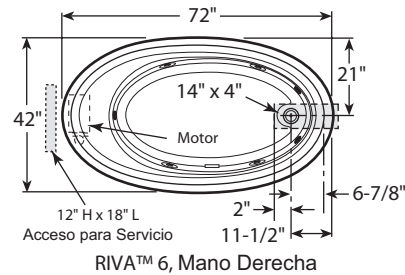
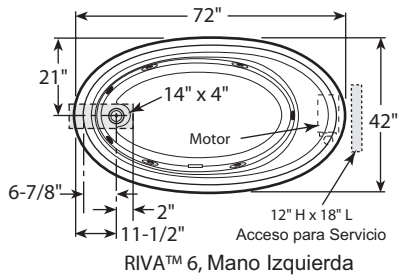
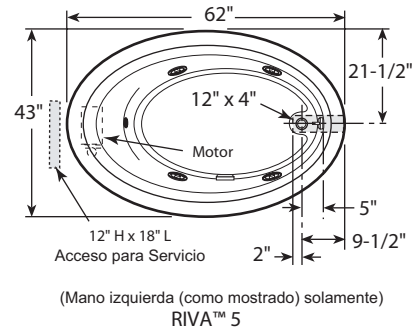
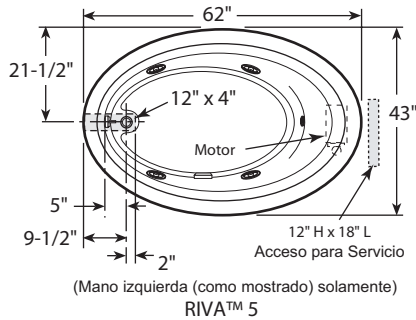
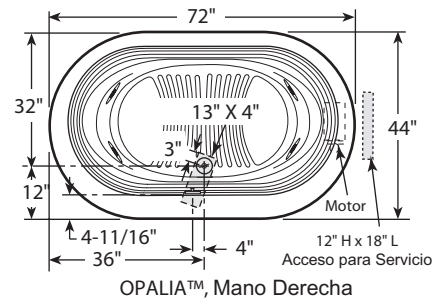
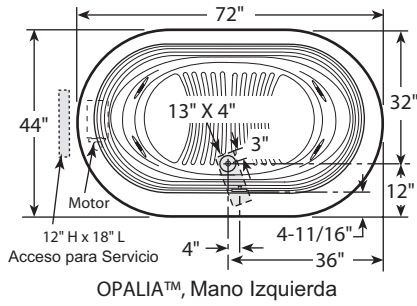
MILANO™, Mano Derecha

- NOTA:
1. Las dimensiones en general son nominales con una tolerancia de +0 y -1/4 pulgadas (6,4 mm).
 2. Mantenga las dimensiones del acceso dadas son tamaño mínimo. El acceso del servicio se requiere todavía para las unidades que no tienen el Bomba/Motor pre-instalado.
 3. Las medidas dentro de cada unidad representan el recorte en piso para permitir desagüe/rebosadero.
 4. Todas las medidas están en pulgadas. Para convertir a los milímetros, multiplique las pulgadas por 25.4.
 5. No todas unidades de exportación vienen con el Bomba/Motor pre-instalado.

DIAGRAMAS DE INSTALACIONES

DIAGRAMAS EN PLANTA DE INSTALACIONES (OVALADAS)

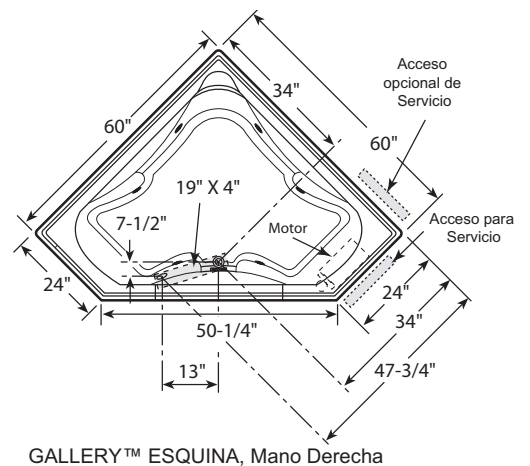
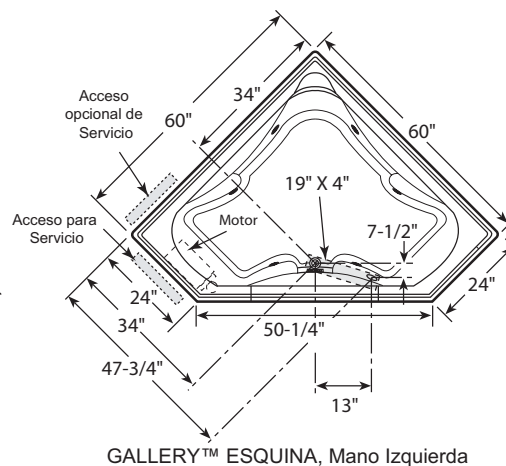
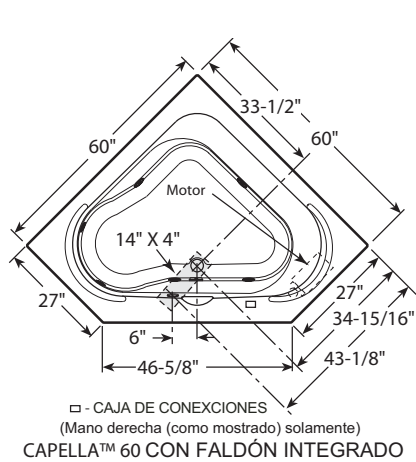
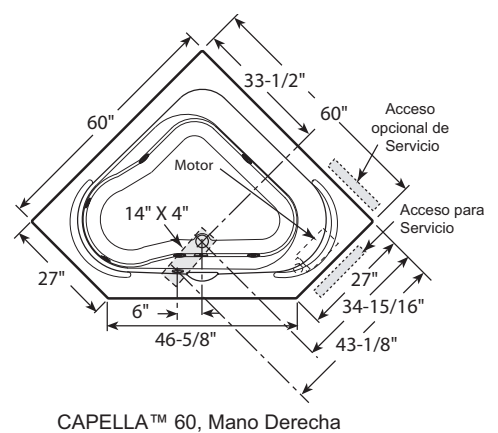
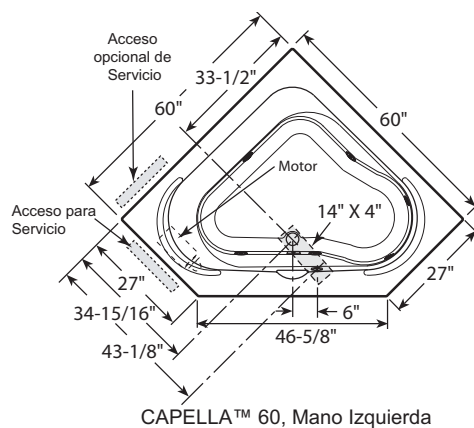
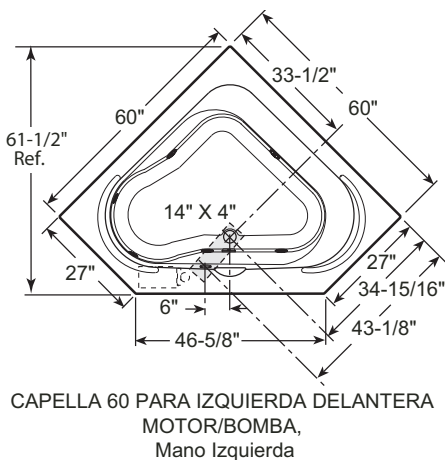
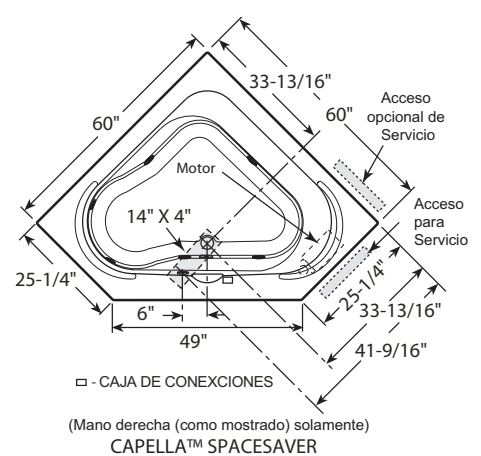
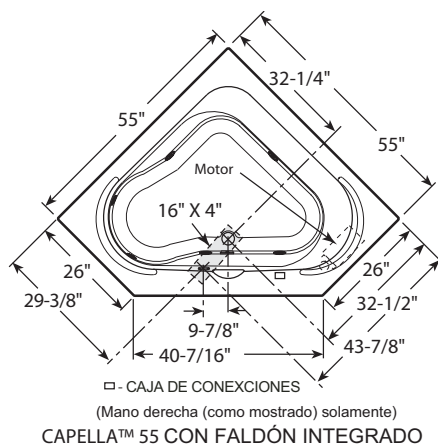
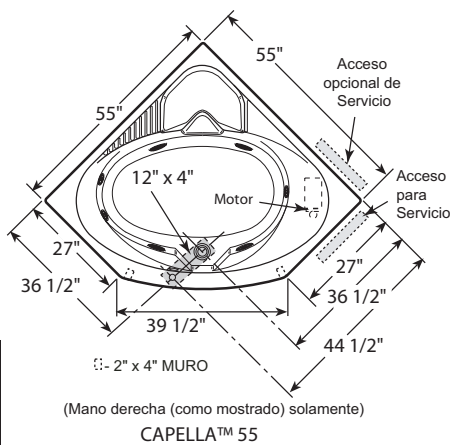
NOTA: Estas unidades se han proporcionado con plantillas de recorte incluidas en el envío el cartón.
Vea información de RECORTE para cada modelo en la página 8.



- NOTA:
1. Las dimensiones en general son nominales con una tolerancia de +0 y -1/4 pulgadas (6,4 mm).
 2. Mantenga las dimensiones del acceso dadas son tamaño mínimo. El acceso del servicio se requiere todavía para las unidades que no tienen el Bomba/Motor pre-instalado.
 3. Las medidas dentro de cada unidad representan el recorte en piso para permitir desagüe/rebosadero.
 4. Todas las medidas están en pulgadas. Para convertir a los milímetros, multiplique las pulgadas por 25.4.
 5. No todas unidades de exportación vienen con el Bomba/Motor pre-instalado.

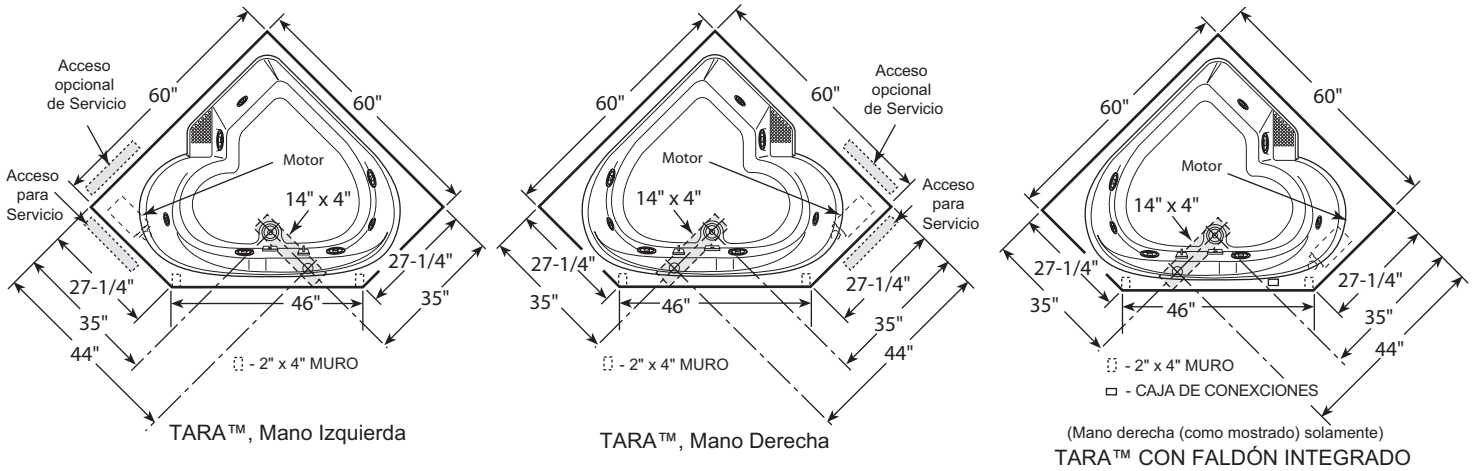
DIAGRAMAS DE INSTALACIONES

DIAGRAMAS EN PLANTA DE INSTALACIONES (ESQUINA)



- NOTA:
1. Las dimensiones en general son nominales con una tolerancia de +0 y -1/4 pulgadas (6,4 mm).
 2. Mantenga las dimensiones del acceso dadas son tamaño mínimo. El acceso del servicio se requiere todavía para las unidades que no tienen el Bomba/Motor pre-instalado.
 3. Las medidas dentro de cada unidad representan el recorte en piso para permitir desagüe/rebosadero.
 4. Todas las medidas están en pulgadas. Para convertir a los milímetros, multiplique las pulgadas por 25.4.
 5. No todas unidades de exportación vienen con el Bomba/Motor pre-instalado.

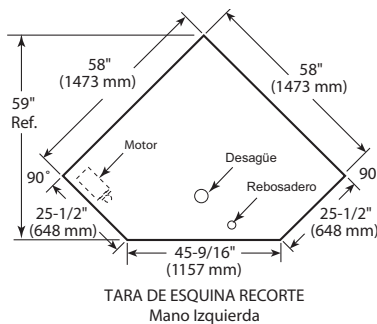
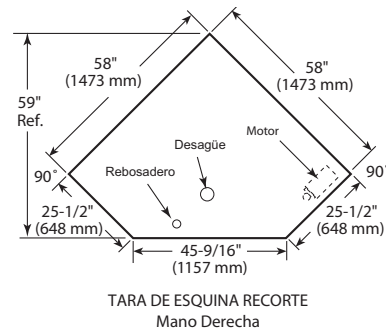
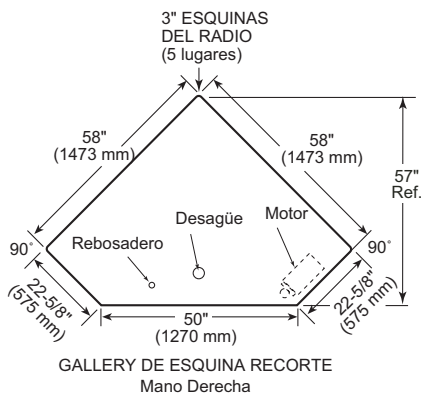
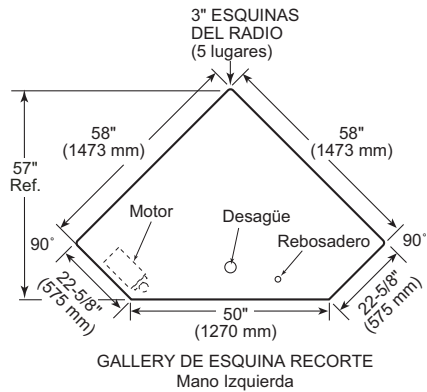
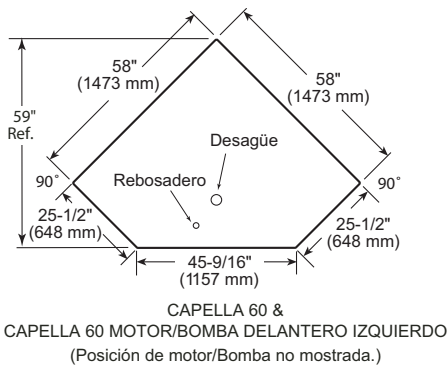
DIAGRAMAS DE INSTALACIONES



- NOTA:
1. Las dimensiones en general son nominales con una tolerancia de +0 y -1/4 pulgadas (6,4 mm).
 2. Mantenga las dimensiones del acceso dadas son tamaño mínimo. El acceso del servicio se requiere todavía para las unidades que no tienen el Bomba/Motor pre-instalado.
 3. Las medidas dentro de cada unidad representan el recorte en piso para permitir desagüe/rebosadero.
 4. Todas las medidas están en pulgadas. Para convertir a los milímetros, multiplique las pulgadas por 25.4.
 5. No todas unidades de exportación vienen con el Bomba/Motor pre-instalado.

RECORTE

DIAGRAMA EN PLANTA DE TINAS DE ESQUINA



INSTRUCCIONES DE INSTALACIÓN

Estructura y Soporte

La instalación del desagüe y el rebosadero se extiende por debajo de la parte inferior de la tina. Cabe señalar que para esto se requiere hacer un corte en el piso.

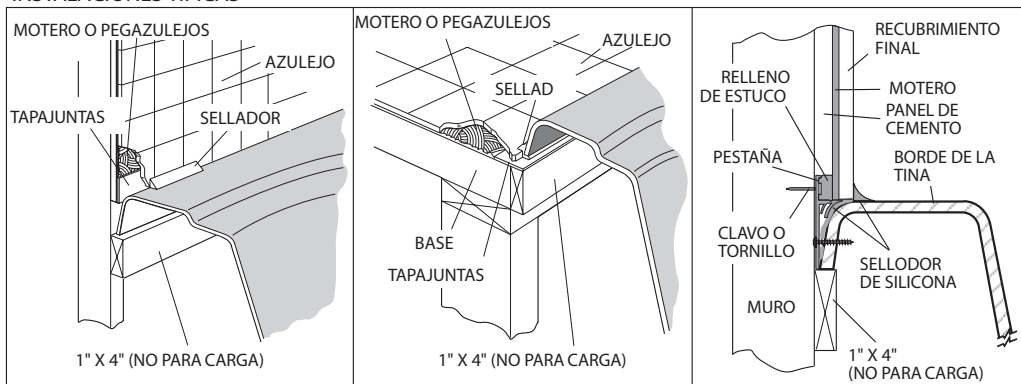
La estructura del piso, debajo de la tina, debe poder soportar el peso total de la tina, el agua, y el ocupante. Referirse al cuadro correspondiente al peso total de su modelo. La unidad tiene que estar soportada por la parte inferior de la tina y no del borde de la tina o de la pestaña. Si el subfloor es plano y una superficie continua, ninguna otra preparación es necesaria. Ud. puede continuar con la instalación de la tina. Si el subsuelo no está nivelado, Ud. **tiene** que nivelar toda la superficie antes de instalar la tina. El uso de materiales que rellenan o permiten una instalación a nivel, son permitidos siempre y cuando el método que se use, garantice una tina nivelada, que esté sujeta por debajo. Las materias que se pueden utilizar son un piso que nivela compuesto, el mortero, el yeso o la expansión mínima espuma estructural que tiene una densidad de un mínimo de 5 lbs. /pies cúbicos; sin embargo el baño debe quedarse el nivel en la orden para lo desaguar apropiadamente y todos pies de espuma deben hacer el contacto repleto con la materia que nivela. Ambos lados de la junta o empalmes del subsuelo deben estar nivelados. **Cuando fije las tinas al muro utilizando pestañas, use planchas de relleno para rellenar cualquier espacio entre las pestañas de la tina y el muro.**

El borde de la tina no está hecho para soportar peso. Si el material de recubrimiento va a estar en contacto con la tina o sobrepuesto, el peso adicional no debe recaer sobre ella.

El plástico protector debe permanecer dentro de la tina durante la instalación. Antes de la instalación remueva el plástico, inspeccione que la tina no tenga algún daño o defecto, aplique el plástico de nuevo este protege la superficie de daños como de zapatos, herramienta, etc. Removerlo al final de la instalación y limpieza final.

Importante: Si se ha de utilizar un faldón, éste deberá instalarse cuando se está instalando la unidad - Refiérase a las instrucciones de instalación de faldón. Cuando se haya completado todo la instalación, instale las partes opcionales de las vestiduras.

INSTALACIONES TÍPICAS



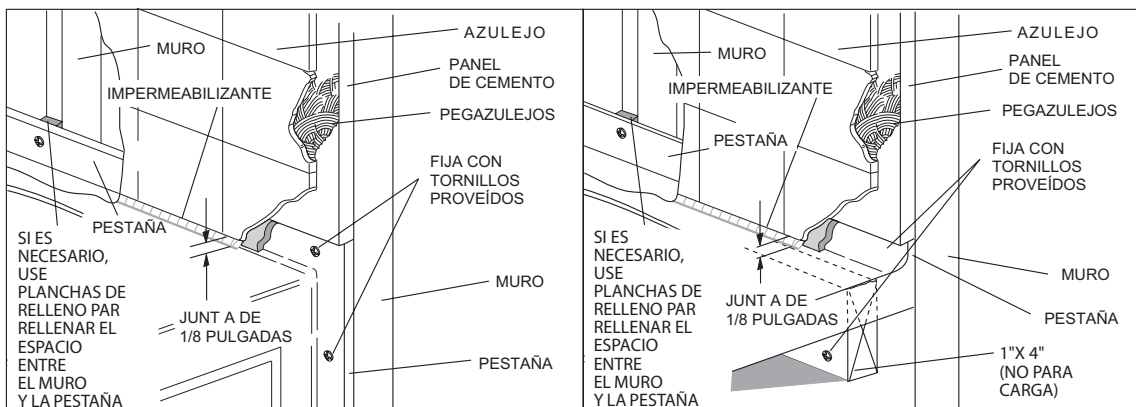
AL RAS DEL MURO

SEMIEMPOTRADA

PAQUETE OPCIONAL DE PESTAÑA

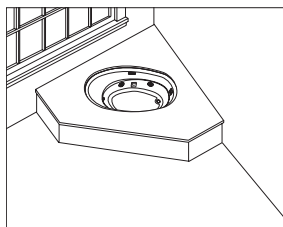
NOTA: EN el Riva 5 y Riva 6, la instalación de cañerías de la descarga extiende levemente más allá del borde de baño. Al instalar cualquier baño como semi-fregadero, baja el lado bomba/motriz en primero en el recorte.

DETALLE DEL MONTAJE DE PESTAÑA TÍPICO

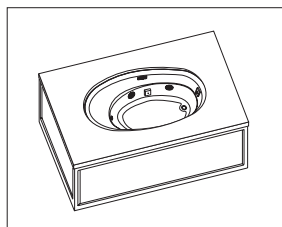


OPCIONES de INSTALACION de UNDERMOUNT

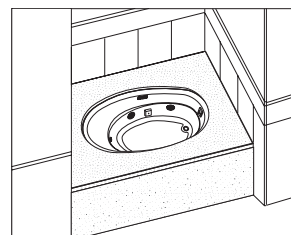
El undermount da la oportunidad de ser flexible en el diseño y la ubicación del baño. Los ejemplos se muestran para instalaciones posibles. Refiérase a páginas 23-24 para instrucciones de instalación de undermount.



RINCON



LIBERTE la POSICION

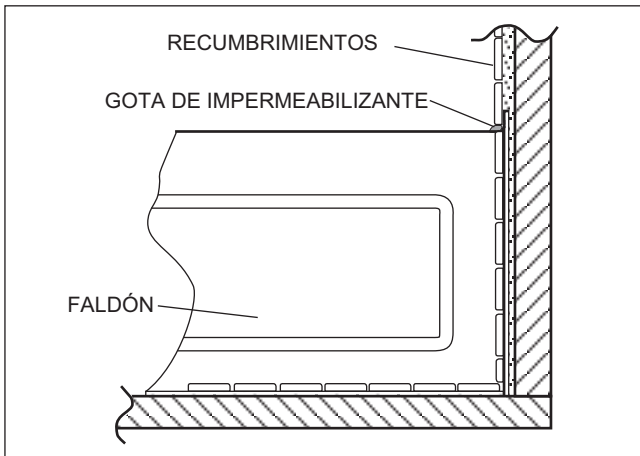


NICH

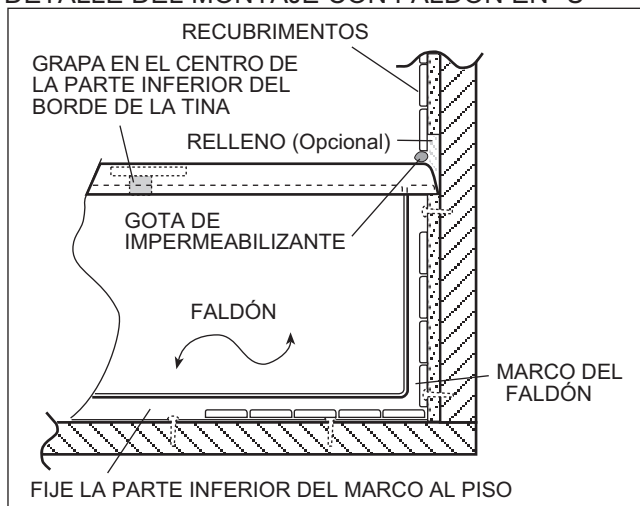
INSTRUCCIONES DE INSTALACIÓN

FALDÓN

DETALLE DEL MONTAJE CON FALDÓN INTEGRADO



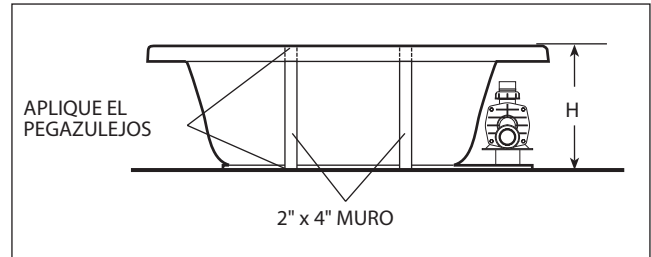
DETALLE DEL MONTAJE CON FALDÓN EN "U"



Tinas de Esquina con Faldón

Si se usa faldón en la tina de esquina, es necesario contar con mayor soporte en la parte frontal de la unidad. Mida la altura del piso a la parte inferior del borde de la tina. Corte dos muros de 2 x 4 pulgadas, aplique el pegazulejos en ambos extremos e instale (Véase las especificaciones en la REFERENCIA de ROUGHING-IN (ESQUINA)).

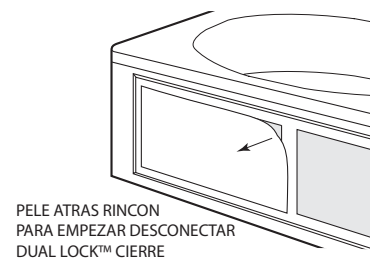
SOPORTE PARA TINAS DE ESQUINA



Entrepaño móvil de Falda

Eliminación e Instalación

Resbale los clips sobre el labio inferior de la abertura de la falda e incline para arriba hasta que las lengüetas del Velcro hacen el contacto.



INSTRUCCIONES DE INSTALACIÓN

Acceso para Servicio

En el caso de instalaciones parcial o totalmente empotradas, deje un acceso a las conexiones. Es responsabilidad del instalador dejar espacio suficiente para el registro. Las medidas mínimas recomendables para el registro de la tina se muestran en la ilustración que lleva el nombre de "Registros".

Provee área adecuada al rededor de la tina para circulación de aire para enfriamiento del motor y para proveer aire suficiente a los chorros. No ponga aislamiento en este área o al rededor del motor.

Acceso opcional de Servicio de RapidHeat™

Donde tinas se han ordenado con la calentadora opcional de RapidHeat™ considera un acceso adicional del servicio.

Si el acceso del servicio no se ha proporcionado, es la responsabilidad de propietarios para quitar el baño y proporcionar el acceso requerido, debe una reparación llega a ser necesario.

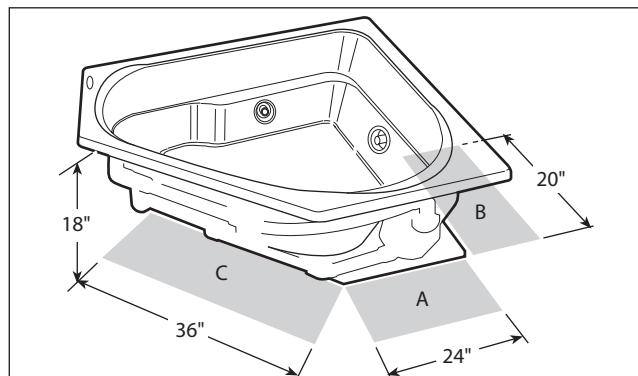
Acceso con Faldón

Se puede colocar un faldón opcional a lo largo de la tina para cubrir las instalaciones sobre el nivel del piso y usarlo también como acceso para dar servicio a las instalaciones. Para poder retirar el faldón, deje un espacio de por lo menos 8 pulgadas con respecto a la tina.

El diseño del faldón permite colocarlo al ras del suelo cubriendo hasta 1-1/4 pulgadas (31,75 mm) de la orilla de azulejos, linóleo u otros recubrimientos utilizados en el piso.

El faldón opcional incluye instrucciones de instalación más detalladas.

ACCESO PARA SERVICIO (TINAS DE ESQUINA)



UNIDAD DERECHA

A - Acceso preferido

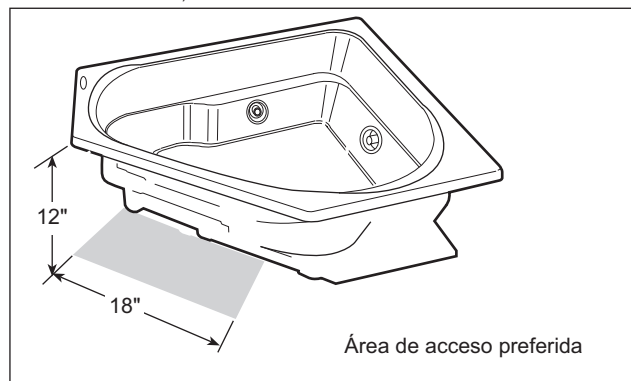
B - Alternativa aceptable si el acceso A no es posible

C - Registro para equipo accesorio adicional (Opcional)

NOTA: El registro de las unidades izquierdas se coloca en el lado opuesto (en imagen de espejo).

ACCESO PARA SERVICIO

(BG55, CAPELLA 60 TINAS IZQUIERDO DELANTERO DE LA ESQUINA DEL MOTOR SOLAMENTE)

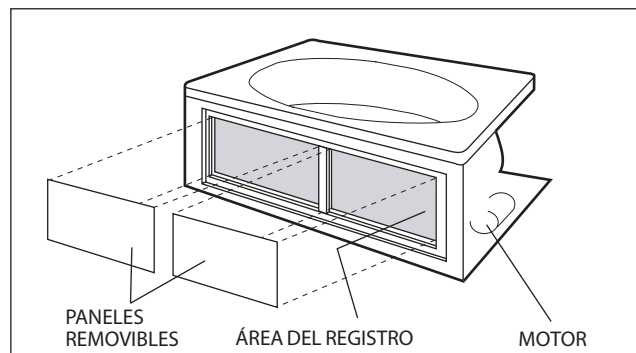


Área de acceso preferida

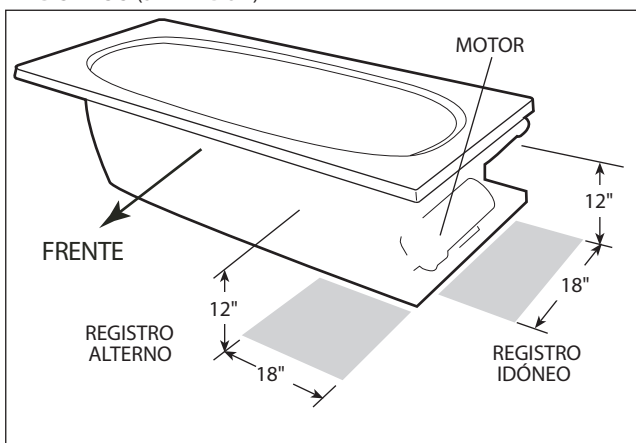
Acceso Faldón Integrado

En este caso se tiene acceso a las instalaciones por los paneles removibles del faldón.

ACCESO PARA SERVICIO (CON FALDÓN INTEGRADO)



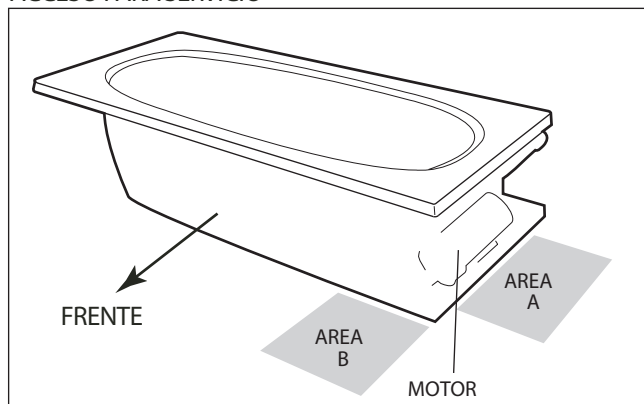
REGISTROS (SIN FALDÓN)



En algunos casos, puede que no se haya proporcionado acceso debido al diseño de la tina y teniendo completo entendimiento de que en este caso, pueda que sea necesario retirar la unidad para obtener servicio.

Si así fuera el caso, no será posible diagnosticar un problema sin tener completo acceso al sistema de plomería. Esto requiere remover la unidad completa. A pesar de que esta práctica no es implementada comunmente, es un método aceptable.

ACCESO PARA SERVICIO



En algunos casos el acceso puede haber proveído en el Área A, pero el servicio es requerido en el Área B, lo que requiere que la unidad sea removida para obtener servicio y luego ser reinstalada.

Si no se ha proporcionado un acceso para obtener servicio, es la responsabilidad del dueño de la casa el remover la tina y proporcionar el acceso requerido, en caso de necesitarse reparación de la unidad.

INSTRUCCIONES DE INSTALACIÓN

Conexiones Eléctricas

Se requiere un circuito independiente protegido con un interruptor de circuito para fallas a tierra (GFCI). Instale un contacto dúplex en el muro debajo de la tina, por lo menos 4 pulgadas arriba del piso. No se incluye el contacto dúplex porque están fabricadas con un seguro y cómodo interruptor ON/OFF de control electrónico.

PELIGRO: RIESGO DE DESCARGA ELÉCTRICA. Conecte la unidad solamente a un circuito protegido con un GFCI.

PRECAUCIÓN: El motor o la bomba pueden sufrir fugas y daños permanentes si se operan sin agua suficiente en la tina. Antes de aplicar la energía eléctrica a la instalación, asegúrese de que el interruptor esté en la posición "OFF" para evitar que se dañe la bomba.

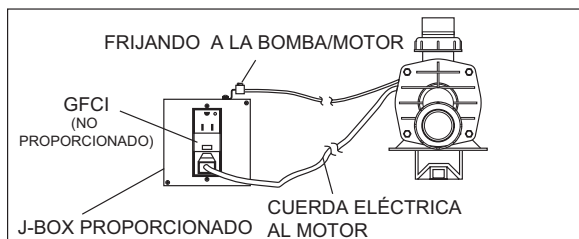
NOTA: Las unidades de la exportación pueden o no pueden venir con motriz/bomba o pueden venir con especificaciones motrices diferentes de lo que es especificado aquí. En cada caso consulta con un contratista y el electricista licenciados antes de instalar la alimentación o conectar la unidad.

Jacuzzi Whirlpool Bath no hace los reclamos a la compatibilidad ni la oportunidad eléctricas de doméstico ni las unidades de la exportación y no es responsable de ningún defecto ni los fracasos que se pudiera haber descubierto, podría haber sido reparado, o pudiera haber sido evitado siguiendo el edificio y códigos aplicable eléctricos locales.

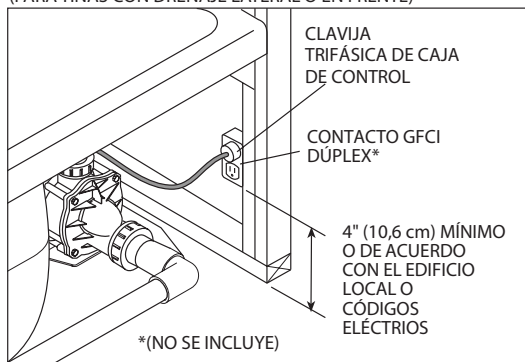
Con los baños hidroterapéuticos Capella 55 con falda íntegra, Capella 60 con falda íntegra, Capella Spacesaver con falda íntegra, y Tara con falda íntegra, se provee una caja de conexiones. Para obtener acceso a esta conexión, quite el panel de acceso de la falda. Véa los dibujos desde encima para localizar la caja de conexiones.

Una toma de electricidad separada y protegida por GFCI es requerida (y no proveída) para la bomba/el motor. Hay que instalar esta toma en la caja de conexiones. Esta caja requiere una conexión eléctrica permanente. El motor es pegado a la caja de conexiones en la fábrica.

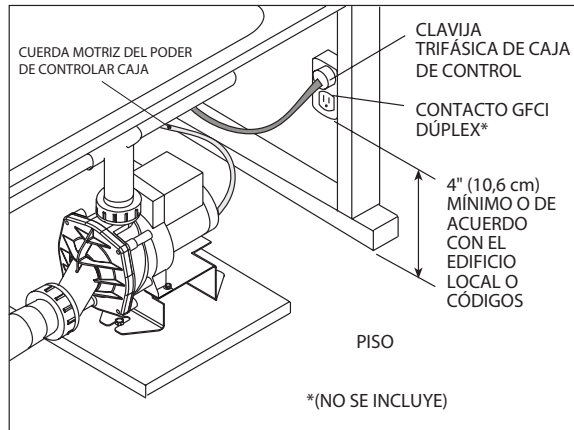
CAPELLA 55 CON FALDÓN, CAPELLA 60 CON FALDÓN, CAPELLA SPACESAVER CON FALDÓN, & TARA CON FALDÓN - CAJA DE CONEXIONES



CONEXIÓN ELÉCTRICA (PARA TINAS CON DRENAJE LATERAL O EN FRENTE)



CONEXIÓN ELÉCTRICA (PARA TINES DE ESQUINA)



Opcional RapidHeat™ Conexión Eléctrica

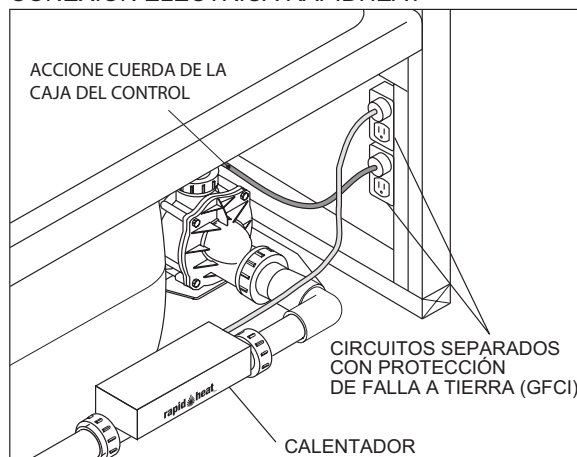
NOTA: Las unidades de la exportación pueden o no pueden venir con motor/bomba pre-instalados o pueden venir con especificaciones motrices diferentes de lo que es especificado aquí. En cada caso consulta con un contratista de licenced y electricista antes de instalar la alimentación o conectar la unidad.

Antes de hacer la conexión eléctrica, inspeccione la placa de indentificación del calentador para determinar si es una unidad de 120 VAC o de 240 VAC.

Instale un rompecircuito o disyuntor separado de 120 VAC 15 AMP, o de 240 VAC 15 AMP (unidad de 240 VAC no disponible en U.S.A.), para tener un circuito dedicado con protección de fallas a tierra (GFCI). Use un alambre sólido de cobre, calibre #8, para conectar la caja metálica del calentador al panel eléctrico de la casa o a una conexión local aprobada. El calentador está provisto con un terminal de conexión de tierra.

Cuando vaya a operar el calentador por primera vez, y antes de cada uso de ahí en adelante, oprima el botón GFCI con la energía eléctrica encendida (ON). El botón de reposición debe saltar hacia afuera. Oprima este botón para reposicionar el interruptor. Si el interruptor falla en su funcionamiento de la forma indicada, es porque hay alguna corriente de tierra circulando o el dispositivo está defectuoso, lo que indica la posibilidad de un choque eléctrico. **Apague la energía eléctrica y no use el baño hasta que la causa del problema haya sido identificada y corregida.**

CONEXIÓN ELÉCTRICA RAPIDHEAT™



INSTRUCCIONES DE INSTALACIÓN

Plomería y Suministro de Agua

Información Sobre el Drenaje

Debe instalarse una unidad de drenaje/rebosadero (se vende separado) en la tina, verificar que no presente fugas y conectarse al sistema sanitario de la casa. Después de abrir la caja de cartón, verifique que no hay daños y revise el acabado. En la unidad de drenaje/rebosadero de Jacuzzi Whirlpool Bath, la pestaña, el filtro, la placa protectora de reboso y los tornillos de la placa vienen en un paquete por separado para proteger el terminado. Siga las instrucciones de instalación incluidas en su unidad de drenaje/rebosadero.

Después de haberse instalado todo el drenaje, revise si éste está funcionando adecuadamente. Si la unidad no drena adecuadamente, rectifique esta condición antes de proceder con la instalación. Jacuzzi Whirlpool Bath no es responsable por gastos de remoción o reinstalación de las tinas.

NOTA: Es responsabilidad del instalador que las conexiones no presenten fugas. La garantía de Jacuzzi Whirlpool Bath de este producto no cubre fugas en el drenaje.

Plomería

La bomba, los chorros y los dispositivos de succión para el sistema hidroterapéutico se aploman en la fábrica en tubería de PVC clasificación 40.

Todos los productos Jacuzzi Whirlpool Bath se prueban en la fábrica antes de embarcarse para verificar que funcionen correctamente y que las conexiones no tengan fugas. Si detecta fugas, consulte Jacuzzi Whirlpool Bath y no instale la unidad.

Suministro de Agua

Pregunte a las autoridades locales cuáles son los requisitos que debe cumplir la instalación de plomería de acuerdo con la zona en que va a instalarse la unidad.

IMPORTANTE: Es responsabilidad del instalador colocar correctamente la plomería del surtidor de llenado y cumplir con las normas correspondientes. Jacuzzi Whirlpool Bath no garantiza las conexiones del suministro de agua, de la tubería, de los sistemas de llenado o de desagüe. Tampoco es responsable de los daños sufridos por la tina durante la instalación.



PRECAUCIÓN: Para que la tina no sufra daños durante los trabajos de soldadura, coloque una barrera protectora anti-inflamable.

Limpieza Después de la Instalación

Para evitar que la superficie de la tina se raye o pierda brillo, no use limpiadores abrasivos, sino detergentes líquidos suaves.

Retire los residuos de estuco con una pieza de madera o plástico. Las herramientas de metal rayan la superficie. Las manchas producidas por el estuco o el mortero pueden eliminarse frotando suavemente la superficie con un trozo de tela o una esponja con detergente.

Las manchas de pintura, alquitrán y otras manchas difíciles de sacar se pueden limpiar con diluyente, aguarrás o alcohol isopropílico (alcohol de frotación). **NOTA:** Utilice estos productos químicos sólo para quitar las manchas de la SUPERFICIE.

Los rayones menos profundos que no alteran el acabado de color se pueden quitar con papel de lija húmedo o seco grano 600. Puede recuperar el acabado brillante de la superficie de acrílico de la tina con el compuesto especial Mirror Glaze #10 de Meguiar. Si no, utilice un compuesto de frotación para automóviles y luego aplique cera en pasta para automóviles.

Será necesario volver a aplicar el terminado de la tina si las rayaduras y estrías son tan profundas que penetran la superficie acrílica. Pida Jacuzzi Whirlpool Bath un folleto de instrucciones. Para obtener una lista de agentes de servicios, visite nuestra página web, <http://www.jacuzzi.com/>. Para encontrar las listas de agente de servicio para:

Las Reparaciones eléctricas o Mecánicas visitan <http://jacuzzi.com/pdf/ASA.PDF>

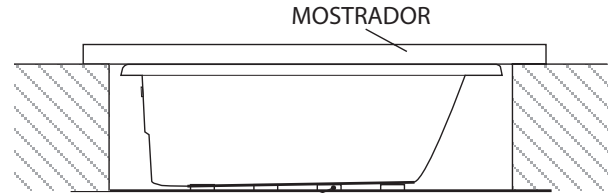
El fin, la Superficie, o las Reparaciones de Esqueleto-Relacionó visitan <http://jacuzzi.com/pdf/AFC.PDF>

La reparación Despide o los Accesorios visitan <http://jacuzzi.com/pdf/MPD.PDF>

INSTRUCCIONES de INSTALACION de UNDERMOUNT

Instalación

Una instalación típica tendrá estas características de la construcción.



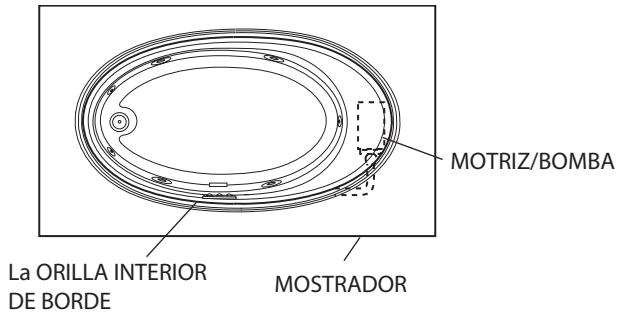
TODOS PIES de la ESPUMA DEBEN ESTAR EN el CONTACTO CON PISO PLANO

Protección de Unidad

Si la película protectora se ha quitado, reaplique película. Para la protección agregada, coloque una tela de gota u otra materia en el fondo del baño para la protección. Tenga cuidado para no rasguñar la superficie del baño.

Preparación Contraria

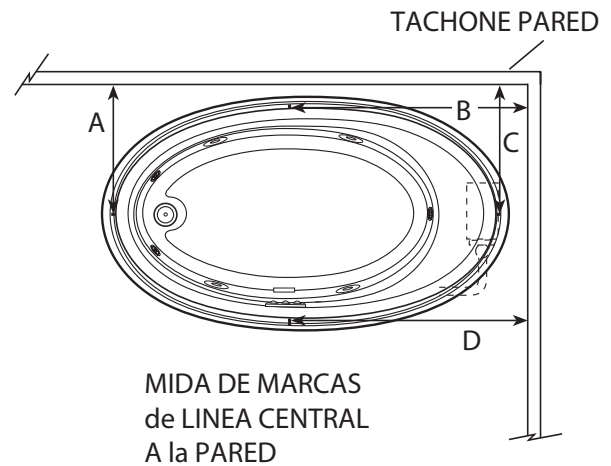
NOTA: En el lado bomba/motriz del baño, el mostrador debe extender un mínimo de 4 (10,2 cm) pulgadas pasada la orilla exterior del baño, para vaciar el extender bomba/motriz de instalación de cañerías más allá del borde del baño.



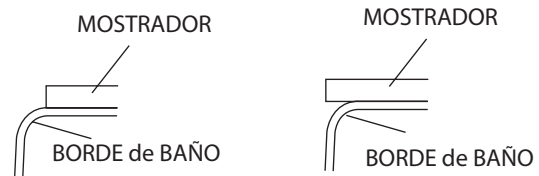
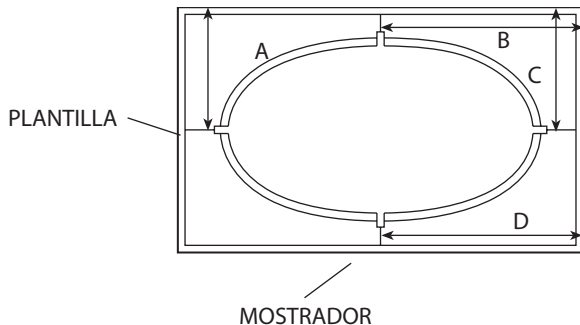
Posicione la plantilla para que el óvalo de recorte alinee con la orilla de borde.



En esta posición, utilizando un lápiz de grasa, la marca en el baño las posiciones centrales de la línea por el corte fuera ranuras. Quite plantilla. La medida de líneas centrales marcadas a un punto fijo tal como una pared.



Transfiera estas medidas para contradecir y marcar las posiciones centrales de líneas. La plantilla de la posición y el corte contra para la desviación deseada.

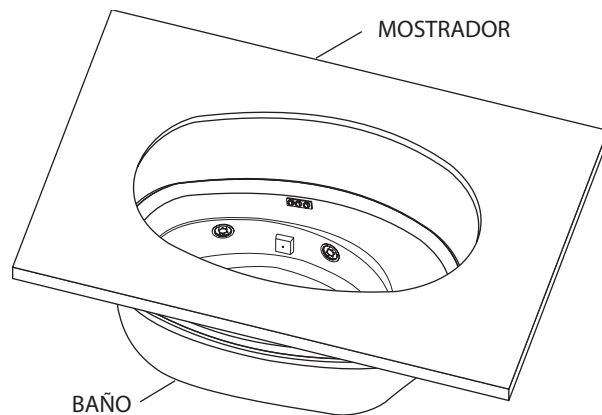


OFFSET

Después que cortar es completo, realiza cualquier dirigir necesitado, el trabajo de la orilla o el pulido al mostrador.

INSTRUCCIONES de INSTALACION de UNDERMOUNT

Posicione el mostrador encima del baño para asegurar el ataque y la apariencia correctos. La marca cualquier ajuste que puede ser necesario. Quite el mostrador.



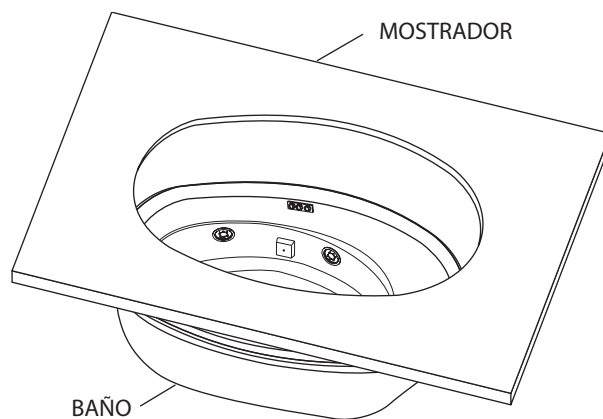
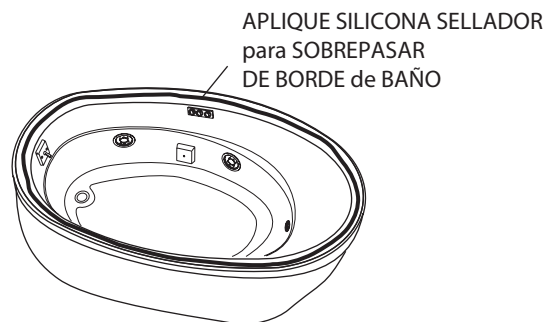
Que Adhiere Contra al Baño

Limpie cualquier tierra o los escombros del borde del baño. No utilice la tintorería abrasivo.

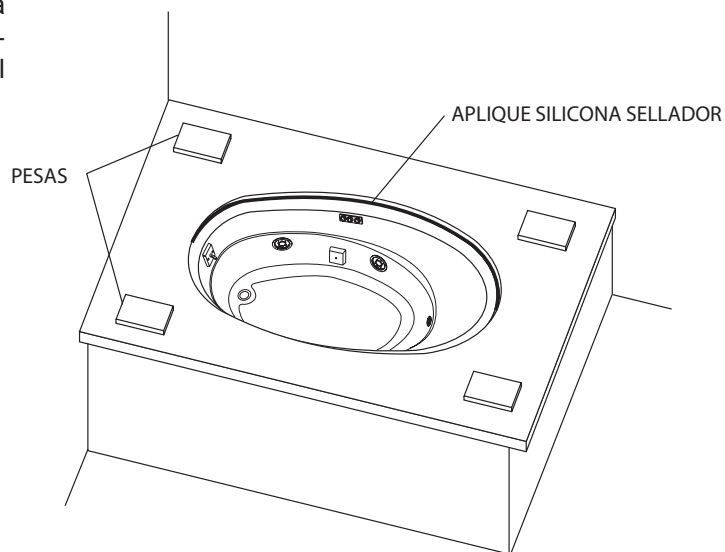
Dónde el mostrador hará el contacto con la cima del borde del baño, aplica una cuenta de sellador de silicona.

⚠ CUIDADO: no utiliza un adhesivo ni sellador adhesivo para asegurar el mostrador al borde del baño. Si la conservación o modelar de nuevo se requieren el mostrador quizás se tenga que quitar. El adhesivo vinculará permanentemente el mostrador al baño. Esto hará la eliminación difícil y costosa y puede causar el daño al mostrador o el baño.

Posicione con cuidado el mostrador en el borde del baño. El mostrador necesitará ser tenido en el lugar mientras el sellador cura. Siga las instrucciones del fabricante para determinar tiempo requerido para curar.



Aplique una cuenta continua de sellador de silicona alrededor de la costura entera entre el borde de mostrador y baño. Permita sellador para pelar sobre o el curación antes de limpiar el mostrador o el baño.



INSTRUCCIONES OPERADORAS

OPERACIÓN

NOTA: Estas instrucciones se aplican a todos los productos para baño fabricados por Jacuzzi Whirlpool Bath. No todas las características descritas en el folleto de instrucciones se aplican a todas las tinas.

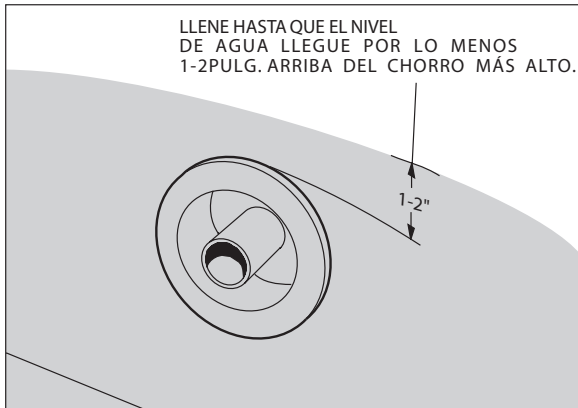
Todas las tinas fabricadas por Jacuzzi Whirlpool Bath están diseñadas para "llenarse y vaciarse," lo que significa que la tina debe vaciarse después de usarse y que la siguiente persona que la utilice deberá llenarla con agua limpia. Ésta es una medida de higiene, ya que estas tinas no están diseñadas para estar llenas de agua constantemente como una alberca o una tina de exteriores. Si usted quiere una unidad diseñada para sostener continuamente el agua, póngase en contacto con su distribuidor de Remolino de Jacuzzi para la línea completa de unidades de remolino disponibles.

Una vez instalada la tina, retire cualquier residuo o material extraño que haya quedado de la construcción. Use trementina o diluyente para eliminar manchas y residuos difíciles de pintura o alquitrán. Otros tipos de residuos pueden eliminarse con un trozo de tela humedecido con detergente líquido. Frote ligeramente la superficie con una pieza de madera o plástico para retirar los residuos de estuco; no use lijas metálicas, cepillos de alambre u otras herramientas de metal porque dañarán la superficie de la tina.

Nivel del Agua

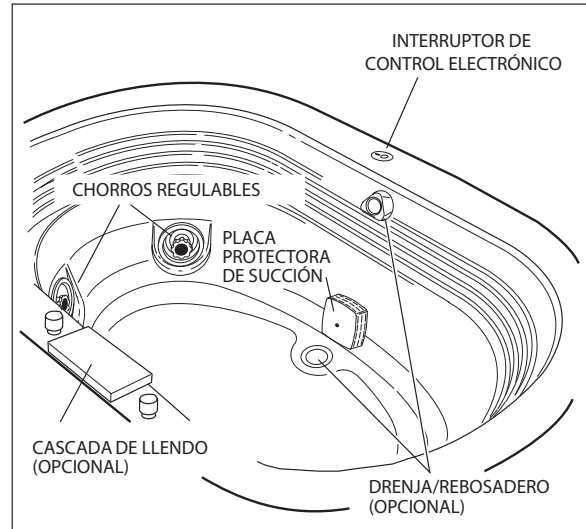
Cierre el desagüero y llene el baño hasta que agua sea por lo menos 1 a 2 pulgadas encima del chorro más alto (ve línea de flotación indicada en la ilustración). **No prenda el sistema de remolino en tiempo si los chorros no se sumergen completamente en el agua. No sumerja el tablero de control saturando el baño.** Correr el sistema de remolino cuando hay agua insuficiente en el baño podría tener como resultado rociar de agua fuera del área del baño. Correr el sistema de remolino sin agua dañará la bomba que recircula.

No sumerja el tablero de control saturando el baño.



Las unidades del constructor/consuelo del Jacuzzi vienen equipado con controles electrónicos. Refiérase a las instrucciones Electrónicas de Controles en la próxima página.

ACCESORIOS TÍPICOS PARA TINAS



(Opcional) RapidHeat™

Operación

Una vez que el calentador esté instalado y la bomba de circulación de agua en remolino esté funcionando, la operación del calentador es completamente automática. El calentador ayudará a mantener la temperatura del agua de baño.

Interruptor del Vacío

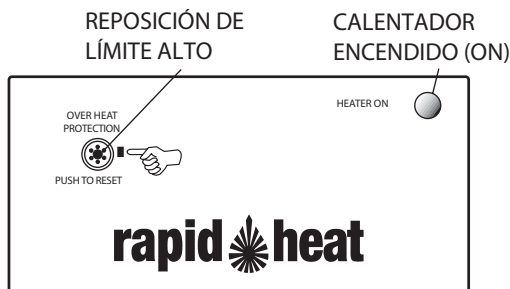
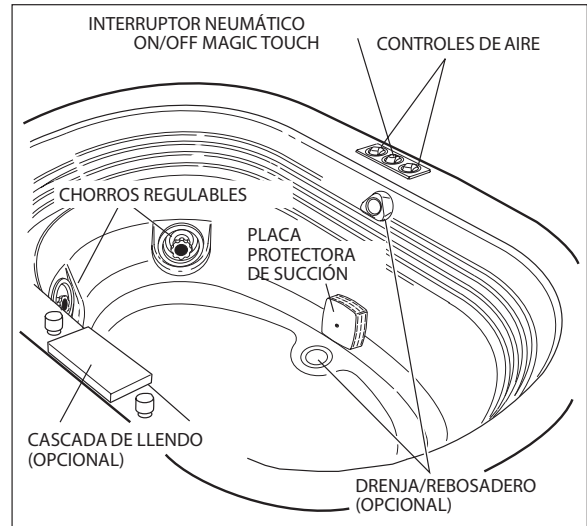
El calentador está equipado con un interruptor preajustado de vacío que no permitirá que el calentador se encienda (ON) si la bomba no está funcionando con el agua fluyendo a través del sistema.

Interruptor de Límite Alto

El calentador incluye un interruptor exclusivo de límite alto. Este circuito de seguridad no se accionará falsamente por el agua caliente de la tubería de la casa. Su única función es apagar el calentador si falla el termostato. Si el alto-límite tropieza con frecuencia, contacta a su Proveedor de Internet Eléctrico/Mecánico Autorizado. Visite nuestro sitio web en <http://www.jacuzzi.com/> para encontrar a un Proveedor de Internet.

Las unidades de la exportación vienen equipado con el interruptor Mágico de EN/DE de Remolino de Toque. Refiérase al Toque Mágico® las instrucciones de Interruptor de Remolino en la próxima página.

ACCESORIOS TÍPICOS PARA TINAS



INSTRUCCIONES OPERADORAS

Interruptor De Control Electrónico

El interruptor ON/OFF del control electrónico, establecido convenientemente en el baño, permite que usted dé vuelta al sistema del torbellino por intervalos mientras que en el baño. Empuje simplemente abajo en el botón del interruptor a giran el sistema del torbellino. Para dar vuelta al sistema apagado, empuje hacia abajo en el botón otra vez.

El interruptor de control electrónico apagará automáticamente después de 20 minutos. Empuje hacia abajo en el botón del interruptor para recomenzar el sistema del torbellino otra vez



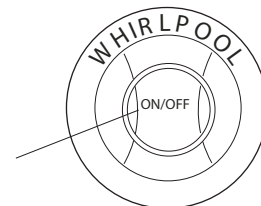
Interruptor Neumático Magic Touch®

El interruptor neumático ON/OFF Magic Touch, ubicado en una posición muy cómoda en la tina, le permite activar el sistema hidroterapéutico mientras se baña. Sólo oprima el botón del interruptor; para apagarlo, oprímalo nuevamente.

Si su tina cuenta con un cronómetro de pared Jacuzzi Whirlpool Bath®, prográmelo el tiempo que desee operar el sistema hidroterapéutico. Nota: Cuando quiera que funcione sólo 10 minutos, haga girar el cronómetro a la derecha hasta pasar el número 10 y regréselo al número deseado. Si el sistema hidroterapéutico no se activa habiendo programado correctamente el cronómetro, será necesario oprimir el botón del interruptor Magic Touch.

INTERRUPTOR MAGIC TOUCH

OPRIMA EL CENTRO ON/OFF



ESPAÑOL

Cómo Controlar el Sistema Hidroterapéutico

El funcionamiento del sistema hidroterapéutico de la tina lo determinan tres factores: dirección del flujo, fuerza del agua y fuerza del aire. Todas las tinas fabricadas por Jacuzzi Whirlpool Bath están equipadas con chorros regulables PowerPro®, que pueden ajustarse con respecto a esos tres factores. Algunas tinas cuentan con chorros regulables sólo en cuanto a dirección y flujo del agua.

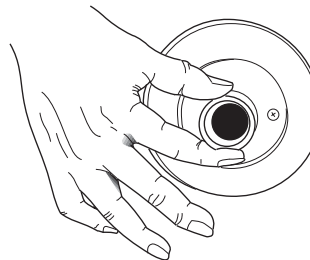
Instrucción: Para cambiar la dirección del flujo del agua, haga girar la boquilla del chorro hacia el ángulo deseado. Los chorros pueden dirigirse en forma independiente hacia cualquier parte del cuerpo y también pueden regularse para que apunten en la misma dirección (hacia la izquierda o hacia la derecha) a fin de mover el agua en forma circular para crear un efecto de remolino.

Fuerza del agua: Los chorros de alto volumen regulables pueden ajustarse para controlar la fuerza del agua que cae a la tina. Para incrementar la fuerza haga girar a la izquierda los controles de los chorros; para reducirla, hágalos girar a la derecha. **Nunca active el sistema hidroterapéutico si los chorros están cerrados.**

Fuerza del aire: La intensidad de la acción del torbellino del hydromassage es determinada por la cantidad de aire instalada en el agua. En el Toque Mágico® controla sistema sólo: La abertura los jets permite completamente una cantidad igual de aire instalada en el agua. Disminuya el flujo de aire en unos o más jets para aumentar el flujo de aire para los jets restantes. **Nunca active el sistema hidroterapéutico si los chorros están cerrados.**

CHORROS

DIRIGIBLES



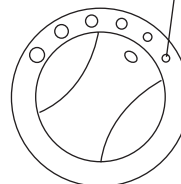
REGULABLES



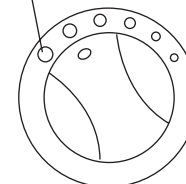
Los controles sólo de Magic Touch®

CONTROLES PARA INDUCCIÓN DE AGUA

GIRE A LA DERECHA PARA DISMINUIR EL FLUJO DE AIRE



GIRE A LA ISQUIERDA PARA INCREMENTAR EL FLUJO DE AIRE



INSTRUCCIONES de CONSERVACION

Cómo Limpiar la Tina

Para limpiar la tina sólo use detergentes líquidos suaves, no abrasivos. Puede proteger y recuperar el brillo de la superficie acrílica aplicando terminados una cera acrílica de igual calidad o cera para pulir automóviles.

Nunca use limpiadores abrasivos para el hogar en ningún producto Jacuzzi Whirlpool Bath.

Reparaciones de la Superficie

Será necesario volver a aplicar el terminado de la tina si las rayaduras y estrías son tan profundas que penetran en la superficie acrílica. Pida a su distribuidor autorizado Jacuzzi Whirlpool Bath instrucciones especiales.

Purificación el Sistema de Tinas de Hydromasaje

NOTA: EL SISTEMA WHIRLPOOL DEBE PURIFICARSE POR LO MENOS DOS VECES AL MES

Para eliminar los residuos de tina, acumulados en el sistema hidromasaje, es recomendable limpiar el sistema de hidromasaje por lo menos dos veces por semana. Sin embargo, para obtener mejores resultados, le recomendamos que limpie su sistema después de cada uso, utilizando nuestro detergente exclusivo de dos partes, fabricado especialmente para baños hidromasajes.

"Systems Clean™" está disponible mediante nuestros Distribuidores autorizados de baños Jacuzzi Whirlpool o llamándonos directamente al 1-800-288- 4002.

Instrucciones para el uso Systems Clean™:

⚠ CUIDADO: ¡No UTILICE AL BAÑARSE! ¡UTILICE el CUIDADO EXTREMO AL MANEJAR ESTE PRODUCTO!

Inmediatamente después de bañar y salir la bañera de hidromasaje, sale el agua del baño en la tina y agrega agua más caliente. El nivel del agua en la tina debe ser por lo menos 2" (50.8 Mm) encima del chorro más alto. La NOTA: El aire iniciado del sistema de hydromassage causará que los Sistemas Limpian™ el contenido para espumar y aumentar el olor. Si su tina tiene los controles aéreos, la vuelta LEJOS el control de aire de remolino o lo gira a la colocación más baja y vierte en el contenido entero de PAQUETE #1 SOLO directamente en el agua del baño. Para mejores resultados, vierta el Sistema Limpia en la tina cerca de la toma para la bomba de la circulación y está seguro evitar el contacto con la piel. Permita el remolino para correr para 30 segundos y entonces agregar PAQUETE #2 SOLO. Es importante utilizar Paquete #1 antes Paquete #2 en evitar un olor fuerte. Permita el baño para correr para 5 a 10 minutos entonces desagua la tina completamente. Rellene la tina con agua fría y corra para 2 a 3 minutos. Desagüe completamente y aclare de cualquier residuo.

PELIGRO: Perjudicial si tragado. Sustancia irritante de ojo. Proteja sus ojos, membranas de piel y moco del contacto con este producto o su solución concentrada. Un producto alcalino fuerte puede causar las quemaduras severas a los ojos y pelar.

Si Ud. ha seguido las instrucciones de limpieza de norma mencionadas, y todavía tiene un exceso de residuos de baño acumulado y por lo tanto desea un mecanismo alternativo de limpieza, recomendamos **SUPER SYSTEMS CLEAN PLUS**, manufacturado por Stearns Packaging para rectificar esta situación. Este producto se puede obtener contactándonos al 1-800-288-4002. Se recomienda que Ud. siga las instrucciones del fabricante incluidas con el producto. Pueda que sea necesario usar este producto repetidamente. **SUPER SYSTEMS CLEAN PLUS** no reemplaza la necesidad de limpiar el sistema periódicamente con Systems Clean, de acuerdo a las recomendaciones dadas.

Aditivos de Baño

NOTA: NO UTILIZA ADITIVOS DE BAÑO CON BASE ACEITOSA.

Si Ud. desea utilizar cualquier clase de aditivo en el baño, utilice solamente una pequeña cantidad de polvo o substancia cristalina de poca espuma, la acción de remolino significativamente las propiedades de hacer espuma de los jabones.

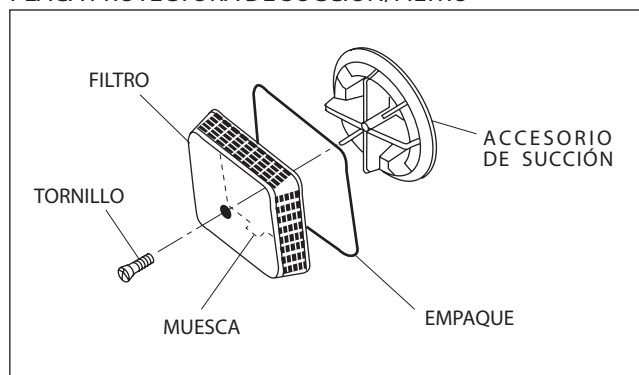
⚠ El uso de ciertos aceites de baño, baños de burbujas y aditivos de baño pueden incrementar el nivel de acumulación de residuos en el sistema de tinas de hidromasaje. Si los excesos de acumulaciones persisten, Ud. debe dejar de seguir usando estos productos.

Placa Protectora de Succión/Mantenimiento del Filtro

Elimine los residuos de cabello y mugre acumulados en la placa protectora de succión y en el filtro cuando sea necesario. Para ello, retire el tornillo central y desmonte la placa cuadrada. Limpie los orificios de la placa con una descarga de agua. Cuando la reinstale oriente la placa y el filtro con la pequeña muesca en la parte inferior. El empaque debe insertarse en el surco de la placa/filtro antes de reinstalar el accesorio de succión.

PRECAUCIÓN: Cuando esté encendido el sistema hidro-neumático, mantenga el cabello alejado del accesorio de succión aproximadamente 6 pulgadas (15,2 cm). El cabello largo hasta los hombros debe llevarse recogido o cubierto con una gorra de baño. No encienda el sistema hidroterapéutico si la placa protectora no está en su lugar. Es un dispositivo de seguridad y siempre debe estar bien colocado para reducir al mínimo el riesgo de que el cabello o alguna parte del cuerpo queden atrapados.

PLACA PROTECTORA DE SUCCIÓN/FILTRO



Guía General de Reparación de Fallas Baños Hidroterapéuticos

PROBLEMA	PROBABLES CAUSAS	SOLUCIÓN
Bomba/Motor no arranca.	No llega corriente a la bomba/motor.	Reconecte el GFCI.
	No está conectada la bomba/motor.	Meta tapón (tapones) completamente en salida (salidas). Las unidades con controles electrónicos: El motor tapa en la caja del control y tapones de caja de control en el receptáculo de GFCI. Las unidades con controles manuales: El motor tapa en el receptáculo de GFCI.
	El interruptor mágico del Toque - tubo aéreo no conectó para cambiar ni ventilar interruptor en el bomba/motor.	Conecte de nuevo tubo al interruptor Mágico del Toque o para ventilar el bomba/motor de interruptor.
	Bomba/Motor defectuosa.	Reemplace el ensamblaje de la bomba/motor.
Bomba/Motor funciona, pero los jets de agua no funcionan.	Los chorros de agua están cerrados.	Abra los chorros de agua rotando a la izquierda (contra el reloj).
	La cobertura de succión puede estar bloqueada.	Con el motor desconectado, retire la tapa de seguridad y quite toda basura. Vuelva a colocar la cobertura de succión antes de volver a operar el equipo.
Bomba/Motor funciona, pero el aire no se inyecta al agua.	Las válvulas de aire están cerradas.	Abra las válvulas de control de aire.
El bomba/motor hace no válvula.	El interruptor Magic Touch - tubo aéreo no conectó para cambiar ni ventilar interruptor en el bomba/motor.	Conecte de nuevo tubo al interruptor Magic Touch o para ventilar el bomba/motor de interruptor.
	La cuerda motriz del poder no conectó para controlar caja.	Conecte de nuevo cuerda de poder de motor para controlar caja.
	Si un reloj de pared se utiliza, el reloj es defectuoso	Reemplace el reloj.
Escape de agua en las uniones de la bomba.	Muy ajustados, aro tórico mal acoplado o mal colocado, mal ajustado.	Afloje los empalmes, revise y vuelva a colocar el aro tórico. Si el aro tórico ha perdido su forma, reemplácelo (refiérase al número de teléfono abajo). Cuando ajuste las tuercas de empalme, hágalo únicamente en forma manual.
Bomba/Motor se apaga por sí solo, o mediante el cronómetro, antes del tiempo fijado.	La protección termal del motor ha desactivado la bomba/motor, debido a sobrecalentamiento (suministro de voltaje bajo).	Deje enfriar el motor; la protección termal se volverá a conectar. Revise la existencia de ventilación apropiada. (Revise el suministro de voltaje.)
	GFCI desconectado.	Reconecte el GFCI. Si continua desconectándose, no utilice este equipo. Desconecte el equipo y haga que el problema sea arreglado por un electricista autorizado, antes de volver a utilizarlo.
	Cable de alimentación inadecuado.	Consulte con un electricista autorizado para corregir el cableado de la unidad.

NOTA: Si el equipo está dentro del plazo de su garantía, contacte al Servicio de Apoyo de Jacuzzi Whirlpool Bath al 1-(800) 288-4002, con el número de serie de la unidad antes de que se inicie el trabajo. El Número de serie se localiza en el Plato del Número de serie de la Especificación. Vea página 30.

**LAS ESPECIFICACIONES DEL PRODUCTO ESTÁN SUJETAS A CAMBIOS SIN PREVIA NOTIFICACIÓN
USE LAS INSTRUCCIONES DE INSTALACIÓN PORPORCIONADAS CON EL PRODUCTO.**

Jacuzzi Whirlpool Bath ha obtenido las listas de códigos correspondientes (standards), para productos de este tipo, que generalmente están a disposición por todo el país. Antes de instalar el producto, el instalador o dueño de éste tiene la obligación de cumplir con el código específico local. Jacuzzi Whirlpool Bath no representa, ni garantiza, ni es responsable de hacer cumplir cualquiera de estos códigos de instalación.

Jacuzzi Luxury Bath

14525 Monte Vista Ave., Chino, CA 91710

Service Support: 1- (800) 288-4002

©2005 Jacuzzi Whirlpool Bath K272000AF 7/06



Printed in the U.S.A.

SERVICIOS AUTORIZADOS

Si usted necesita obtener información sobre una compañía de servicios en su cercanía, o necesita asistencia para preguntas sobre la operación o mantenimiento del producto, por favor llame a nuestro Departamento de Servicios de Apoyo, teléfono 1-800-288-4002. Para obtener una lista de agentes de servicios, visite nuestra pagina web, <http://www.jacuzzi.com/>. Para encontrar las listas de agente de servicio para:

Las Reparaciones eléctricas o Mecánicas visitan <http://jacuzzi.com/pdf/ASA.PDF>

El fin, la Superficie, o las Reparaciones de Esqueleto-Relacionó visitan <http://jacuzzi.com/pdf/AFC.PDF>

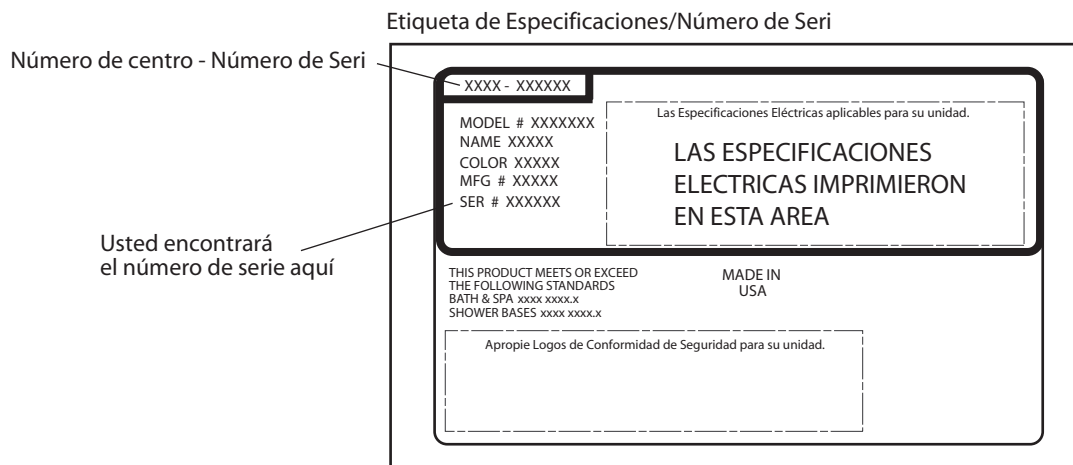
La reparación Despide o los Accesorios visitan <http://jacuzzi.com/pdf/MPD.PDF>

Cuando solicite servicios o asistencia técnica, por favor tenga a la mano tanto el modelo, como el número de serie de la unidad. Esta información puede ser obtenida en la tarjeta de registro del producto, proporcionada junto con su unidad. Si la tarjeta ha sido desplazada, esta información se podrá obtener en la etiqueta de especificaciones/número de serie, colocada en la unidad misma (para la ubicación de esta etiqueta, ver a continuación).

PRODUCTOS PARA EL BAÑO

Baños Whirlpool: La etiqueta está colocada en la pared de la tina, cerca de la bomba/motor.

Baños empapados: La etiqueta se localiza junto a la capacidad rebosadero.



Garantía Limitada de Tinas de "Jacuzzi Whirlpool Bath" Producto de Grupo de Tinas Builder/Comfort

COBERTURA DE LA GARANTÍA

Jacuzzi Whirlpool Bath (la "Compañía") ofrece la siguiente garantía limitada expresa a los compradores originales de cualquier tina de Jacuzzi Whirlpool Bath Builder/Comfort Group Bath Product ("unidad") que compren el producto para uso personal o de una sola familia ("usuario"). La Compañía se compromete a la reparación o sustitución, según sea su decisión solamente, de la unidad o sus equipos, de conformidad con los siguientes términos y condiciones.

GARANTÍA LIMITADA DE DOS AÑOS EN LAS TINAS

Nuestra garantía limitada a en los productos de Builder/Comfort Group Bath es de dos (2) años. La garantía cubre a la unidad y a los componentes instalados de fábrica (v.g. la bomba, el motor) en contra de cualquier defecto de material o de construcción. La cobertura de la garantía empieza el día que el usuario compró la unidad.

GARANTÍA LIMITADA DE CINCO AÑOS (SOLAMENTE PARA LAS PIEZAS) POR LA BOMBA Y EL MOTOR

Nuestra garantía limitada por la bomba y el motor es por cinco (5) años, únicamente para las piezas. La cobertura de la garantía comienza en la fecha en la que el usuario compró originalmente la unidad.

GARANTÍA LIMITADA DE NOVENTA DÍAS (REPUESTOS ÚNICAMENTE) EN OPCIONES Y ACCESORIOS

Nuestra garantía limitada en las opciones y accesorios de los repuestos únicamente fabricados por la Compañía es de noventa (90) días. Nuestra garantía cubre las opciones y accesorios fabricadas por la Compañía (v.g. juego de cascadas, vestiduras, faldas) en contra de cualquier defecto de material o de construcción. La cobertura de la garantía empieza el día que el usuario compró la opción o accesorio.

LIMITACIONES DE LA GARANTÍA

Nuestra garantía limitada a no cubre los defectos, daños o fallas ocasionados por el distribuidor, instalador, o cualquier otra persona, ni los que resulten, sin limitaciones, de cualquiera de los casos siguientes: descuido en el manejo (levantamiento de la unidad al usando la plomería como mango, abresión de los terminados, etc.), modificación de cualquier tipo por cualquier razón (incluso modificaciones para cumplir con las normas de los códigos locales), instalación inadecuada (incluso instalación no conforme a las instrucciones y especificaciones que acompañan a la unidad); conexiones proporcionadas por el instalador del equipo; impropio abasto de voltaje o alguna modificación eléctrica no autorizada; mal uso; operación incorrecta; o falta de mantenimiento adecuado de rutina, operación de la unidad sin la cantidad mínima de agua que se especifica o a una temperatura del agua inadecuada; uso de limpiadores abrasivos o impropios; o desastres naturales como relámpagos, inundaciones, terremotos, etc.

Además, la COMPAÑÍA NO SERÁ RESPONSABLE POR DAÑOS INCIDENTALES O CONSECUENCIALES o pérdidas que se deriven de cualquier causa (v.g., daño del agua a las alfombras, techos, pérdida de uso, etc.) incluso su propia negligencia, daños a, relativos a, o que resulten de las partes cromadas cuando se usen en la unidad sustancias químicas para piscina o "spa"; equipo opcional de tina no fabricado por la Compañía pero provisto por el Distribuidor, instalador o por la Compañía; el uso anterior de la unidad para hacer demostraciones, o defectos que debieran haberse descubierto antes de la instalación. Esta garantía limitada no incluye: mano de obra, transporte, u otros costos en los que se incurra en la remoción y/o reinstalación de la unidad original y/o instalación de una unidad de reemplazo; cualquier costo relativo a lograr el acceso para la reparación, o daño por pérdida de uso, incluso pérdida de ventas, utilidades o ventajas comerciales de cualquier tipo en cualquier circunstancia. Las unidades quedan excluidas de cualquier cobertura de garantía en caso de que se le haya hecho a la unidad (o a cualquiera de sus componentes) algún añadido, cancelación o modificación de cualquier tipo.

La cobertura de la garantía se proporciona únicamente en los Estados Unidos de América y Canadá.

EXCLUSIÓN DE GARANTÍAS IMPLÍCITAS

GARANTÍAS APLICABLES DE MERCANTIBILIDAD Y ADECUACIÓN PARA UN PROPÓSITO DETERMINADO SON NEGADAS TOTALMENTE O HASTA EL LIMITE COMPLETO PERMITIDO CONFORME A LA LEY.

AVISO: Esta garantía le ofrece derechos legales concretos y es posible que además tenga usted otros derechos que varían de un estado a otro. No existen garantías aplicables a los productos Jacuzzi Whirlpool Bath, excepto los que aquí se expresan o los implícitos en leyes estatales y federales aplicables. La compañía no se hace responsable por declaraciones o interpretaciones que se hagan de cualquier forma y que resulten más amplias o que no correspondan con la literatura autorizada que proporciona la Compañía.

Algunos estados no permiten limitaciones a la duración de una garantía implícita, o la exclusión o limitación de daños incidentales o consecuenciales, de tal forma que las limitaciones o exclusiones antes descritas quizá no sean aplicables a usted.

RESPONSABILIDAD DE LA TARJETA DE GARANTÍA

La tarjeta anexa, que ya incluye la dirección de la Compañía, y que tiene por objeto el registro de la unidad para fines de garantía debe llenarse antes de que hayan pasado (30) treinta días de la compra y enviarse a Jacuzzi Whirlpool Bath para que esta garantía entre en vigor.



Jacuzzi Luxury Bath
14525 Monte Vista Avenue
Chino, CA 91710

RESPONSABILIDAD DE TERCEROS

Es responsabilidad del instalador o del contratista constructor que actúen en nombre del usuario realizar una inspección de la unidad antes de instalarla. Ellos son responsables de asegurarse de que la unidad no tiene defectos ni daños. Se ponen avisos en la unidad y en la caja que la contiene para advertir al instalador sobre esta responsabilidad. En caso de que haya algún problema, no debe instalarse la unidad. La Compañía no se hace responsable de fallas o daños que podrían haberse detectado, reparado o evitado mediante una inspección apropiada y pruebas antes de la instalación. Cualquier daño que ocurra durante el trayecto es responsabilidad del transportista. El usuario o instalador DEBE abrir la caja y revisar que la unidad no tenga ningún daño, al momento de la entrega. Si se encuentra algún daño, debe informarles de inmediato al vendedor y al transportista por escrito y debe solicitarse una inspección. En caso de que el transportista no responda, debe avisarles al vendedor y al transportista. Los reclamos de flete deben presentarse inmediatamente después.

Es responsabilidad del instalador, contratista constructor o usuario proporcionar acceso para servicio. La Compañía no es responsable por ningún costo incurrido para obtener acceso para reparación. El usuario deberá afrontar con estos gastos y, si es apropiado, deberá recobrar este costo del instalador.

Los daños que ocurran a la unidad durante su instalación son responsabilidad del instalador y/o del contratista constructor y daños que ocurran después de la instalación de la unidad son responsabilidad del usuario.

Fallas en cualquier equipo opcional son responsabilidad única del fabricante del equipo. (Opciones y accesorios fabricadas por la Compañía tienen garantía de noventa (90) días desde la fecha original de su compra para los repuestos únicamente).

El Distribuidor o Vendedor es responsable de conocer los requisitos de los códigos locales y de notificar al contratista instalador y o al usuario de estos requisitos al momento de su compra. La Compañía no es responsable por ningún costo incurrido en la modificación del producto para conseguir la aprobación del código, a fin de obtener la aprobación municipal, estatal o del condado para el código en los E.E.U.U., o códigos municipales o provinciales un Canadá.

SERVICIO DE GARANTÍA

Para beneficio del cliente, la Compañía tiene una lista de proveedores de servicio independientes que pueden realizar las reparaciones requeridas para el servicio de garantía. Dichas empresas no son ni agentes ni representantes de la Compañía y no pueden obligar a la Compañía por palabra o conducta.

La Compañía debe proporcionar el servicio de garantía que se describe arriba, cuando se hayan cumplido las siguientes condiciones: la falla es de una naturaleza o de un tipo que queda cubierto por la garantía; el usuario le ha informado a un Agente autorizado o Representante del Departamento de Garantías cuál es la naturaleza del problema durante el período cubierto por la garantía; el usuario le ha entregado a dicho agente o representante pruebas irrefutables (v.g. pruebas de compra o instalación) de que la falla ocurrió o se descubrió dentro del período de garantía; una persona autorizada de servicio independiente o representante de la Compañía ha tenido la oportunidad de inspeccionar la unidad durante horas hábiles regulares dentro de un lapso razonable después de que el usuario reportó la falla.

A fin de obtener un servicio de garantía, consulte su directorio telefónico para encontrar al Agente de Servicio Autorizado de Jacuzzi Whirlpool Bath que más cerca le quede. Describa su problema y el Agente de Servicio Autorizado inspeccionará la unidad y le ofrecerá el servicio que requiere la garantía.

En caso de que no pueda obtener a un Agente de Servicio Autorizado de Jacuzzi Whirlpool Bath, escriba o llame a:

Jacuzzi Luxury Bath
Warranty Service Department
14525 Monte Vista Avenue
Chino, CA 91710
Llame a : 1- (800) 288-4002

Para obtener un reemplazo según la garantía para componentes instalados de fábrica para opciones abastecidos por la Compañía y accesorios fabricados y abastecidos por la Compañía, llame o escriba al domicilio que abajo se señala. Proporcione una descripción del problema y una prueba de compra. Recibirá instrucciones de cómo obtener su reemplazo y de cómo devolver, a sus expensas, el o los componentes, opciones o accesorios defectuosos.

Todas las partes, equipos y reparaciones asumirán el resto del lapso de garantía de la parte o partes reemplazados.

La obligación de garantía de la Compañía quedarán descargadas con la oferta de reemplazo o reparación. En caso de que el cliente se niegue a aceptar la solución, se da por terminada la obligación de cumplimiento de garantía de la Compañía.

©2005 Jacuzzi Whirlpool Bath K272000AF 7/06

Garantía Limitada de
Noventa Días
Repuestos Únicamente
de Accesorio(s)

Garantía Limitada de
Noventa Días
Repuestos Únicamente
de Accesorio(s)



**TARJETA DE REGISTRO
PARA LA GARANTÍA**

Para que esta garantía entre en vigor, esta tarjeta debe llenarse y enviarse al domicilio que está impreso al reverso, antes de que hayan pasado (30) treinta días después de la fecha de compra.

Nombre del Jefe de Familia _____

Domicilio _____ Estado _____ Código Postal _____

Ciudad _____

Fecha de compra/ocupación _____

Nombre del modelo _____

Número de serie _____

Nombre del distribuidor/constructor _____

Dirección del distribuidor/constructor _____

1. ¿Cómo se enteró de la existencia de este producto de Jacuzzi® protegido?
 - Anuncio Publicitario Artículo en revista, periódico
 - Visita a Proveedor/distribuidor
 - Sección páginas amarillas
 - Constructor/Plomero/Remodelador Decorador/Arquitecto
 - Visite Revendedor/Ferretería
 - Publicidad de boca...: amigo/paciente/conocido
 - Otro (por favor describa) _____
2. ¿Quien fue la primera persona que le dio información sobre este producto (especificaciones, precios, etc)?
 - Proveedor de productos de baño Constructor
 - Remodelador Contratista de productos de plomería
 - Decorador/Arquitecto Ya estaba instalado
3. ¿Cual fue la principal razón para la compra?
 - Servicio de garantía Accesorios del producto
 - El estilo Precio Hidroterapia
 - Marca de Fábrica Hydraterapia
 - Reventa de Casa
 - Otro _____
4. ¿Quien tomó la decisión final sobre qué producto comprar?
 - Yo mismo Conyuge Conyuge y yo juntos
 - Otro miembro de la familia Diseñador/Arquitecto
 - Constructor/ Plomero/Remodelador Ya estaba instalado
 - Quien instala? Ya instalada/Casa Nueva
 - Contratista/Plomero Durante Renovación
 - Usado/Conyuge Durante Renovación
 - Otro (Especifique) _____
6. ¿Cuales actualmente el valor en el mercado de esta propiedad?
 - Aproximadamente \$ _____ años
7. ¿Que edad tiene el jefe de familia? _____ años
8. ¿Cuales otros fabricantes consideró usted?
 - Eljer Lasco Price Pistler
 - Kohler American Standard Sterling
 - Otro (Especifique) _____
9. ¿Cuanto tiempo paso usted buscando antes de comprar su unidad?
 - 1 día 2 meses - 6 meses
 - 1-7 días 6 meses - 1 año
 - 1 semana - 2 semanas 1 años - 2 años
 - 2 semanas - 4 semanas mas de 2 años
 - 1 mes - 2 meses
10. Aproximadamente, ¿cuanto tiempo han vivido en esa casa?
 - hogar? _____
 - Hasta \$24,999 De \$50,000 a \$74,999
 - De \$25,000 a \$29,999 De \$75,000 a \$99,999
 - De \$30,000 a \$39,999 De \$100,000 a \$149,999
 - De \$40,000 a \$49,999 \$150,000 y mas
12. ¿Fue su proceso de compras?
 - Muy fácil Fácil Muy Difícil
13. ¿Que tan técnicamente informado estaba usted del sistema de chorros Jacuzzi® protegido por patente, antes de su compra?
 - No estaba informado Un poco informado Muy informado

K272000AF